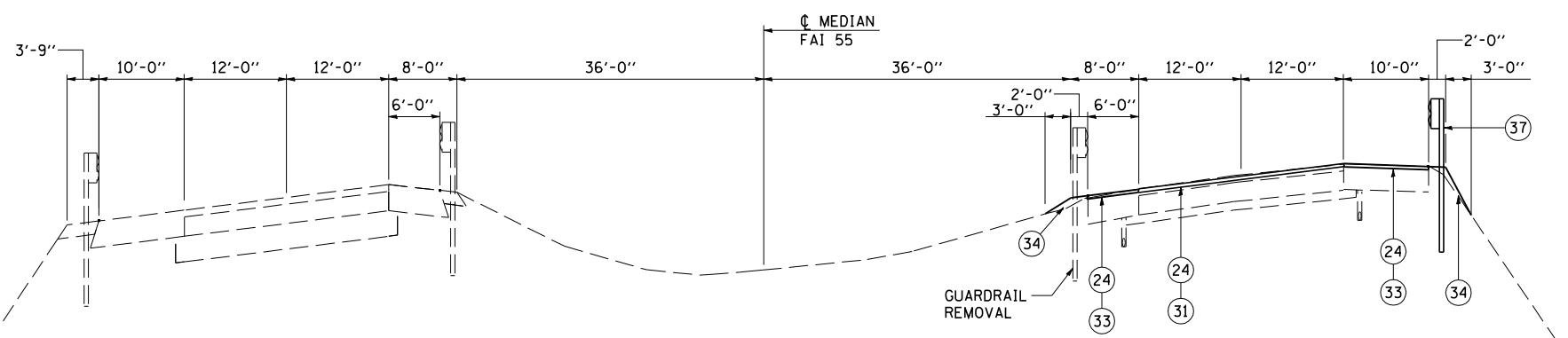


REMOVE EXISTING TRAFFIC BARRIER TERMINAL TYPE 6 AND TRAFFIC BARRIER TERMINAL TYPE 5. REPLACE WITH STEEL PLATE BEAM GUARDRAIL TYPE A 6' POSTS.
 DRILL PROPOSED GUARDRAIL ELEMENT AS REQUIRED TO ATTACH TO EXISTING GUARDRAIL.

INDICATES APPROACH SLAB REMOVAL OR PAVED SHOULDER REMOVAL

④②
FAI ROUTE 55
 STAGE 2 TYPICAL CROSS SECTIONS
 SN 054-0065, 0066
 ④① STA 469+33.64 TO STA 469.76.86 ④③
 ④③ STA 471+30.64 TO STA 471+71.07 ④①



④①
FAI ROUTE 55
 STAGE 2 TYPICAL CROSS SECTIONS
 SN 054-0065, 0066
 NB I-55
 STA 468+33.64 TO STA 469+33.64 ④②
 STA 471+73.07 TO STA 472+73.07 ④②

LEGEND

1	EX STABILIZED SUBBASE 4"	21	PR PAVEMENT REMOVAL
2	EX CONTINUOUSLY REINFORCED PORTLAND CEMENT CONCRETE PAVEMENT 9"	22	PR MEDIAN REMOVAL
3	EX PORTLAND CEMENT CONCRETE PAVEMENT 8"	23	PR PAVED SHOULDER REMOVAL
4	EX PORTLAND CEMENT CONCRETE PAVEMENT 10"	24	PR HOT-MIX ASPHALT SURFACE REMOVAL, VARIABLE DEPTH
5	EX HOT-MIX ASPHALT RESURFACING 1 1/2"	25	PR SUBBASE GRANULAR MATERIAL, TYPE A 8"
6	EX HOT-MIX ASPHALT RESURFACING 3 1/4"	26	PR HOT-MIX ASPHALT BASE COURSE, 10 1/2"
7	EX HOT-MIX ASPHALT RESURFACING 4 3/4"	27	PR HOT-MIX ASPHALT BASE COURSE, 10 3/4"
8	EX HOT-MIX ASPHALT SHOULDERS 12"	28	PR HOT-MIX ASPHALT BASE COURSE, 12 1/4"
9	EX HOT-MIX ASPHALT SHOULDERS 12 1/4"	29	PR HOT-MIX ASPHALT BASE COURSE, 14 1/2"
10	EX HOT-MIX ASPHALT SHOULDERS 13 3/4"	30	PR LEVELING BINDER (MACHINE METHOD), N90 1 3/4"
11	EX AGGREGATE SHOULDERS	31	PR HOT-MIX ASPHALT SURFACE COURSE, MIX "D", N90 1 1/2"
12	EX CONCRETE MEDIAN SURFACE 4"	32	PR COMBINATION CONCRETE CURB AND GUTTER TYPE B-6.24
13	EX COMBINATION CONCRETE CURB AND GUTTER TYPE M-6.06	33	PR HOT-MIX ASPHALT SHOULDERS 1 1/2"
14	EX PIPE UNDERDRAINS	34	PR AGGREGATE WEDGE SHOULDERS, TYPE B
15	EX STEEL PLATE BEAM GUARDRAIL	35	PR HOT-MIX ASPHALT SHOULDERS 12 1/4"
16	EX COMBINATION CONCRETE CURB AND GUTTER TYPE B-6.24	37	PR REMOVE AND ERECT STEEL PLATE BEAM GUARDRAIL
		38	PR SUBBASE GRANULAR MATERIAL, TYPE A 12"
		39	PR CONTINUOUSLY REINFORCED CONCRETE PAVEMENT 9"
		43	PR STEEL PLATE BEAM GUARDRAIL TYPE A 6' POSTS
		44	APPROACH SLAB REMOVAL



JOB = 2236.10	DESIGNED - NAK	REVISED -
FILE NAME = D672E11-sh2-typical.dgn	DRAWN - TJD	REVISED -
PLOT SCALE = 20,0000' / IN.	CHECKED - NAK	REVISED -
PLOT DATE = 4/1/2013	DATE - 1/18/2011	REVISED -

**STATE OF ILLINOIS
 DEPARTMENT OF TRANSPORTATION**

**FAI 55 STAGE 2 TYPICAL CROSS SECTIONS
 SN 054-0067, 0068**

F.A.I. RTE.	SECTION	COUNTY	TOTAL SHEETS	SHEET NO.
55	D6 LOGAN CO BR 2011-1	LOGAN	429	40
FED. ROAD DIST. NO.		ILLINOIS FED. AID PROJECT		
		CONTRACT NO. 72E11		

SCALE: SHEET NO. OF SHEETS STA. TO STA.