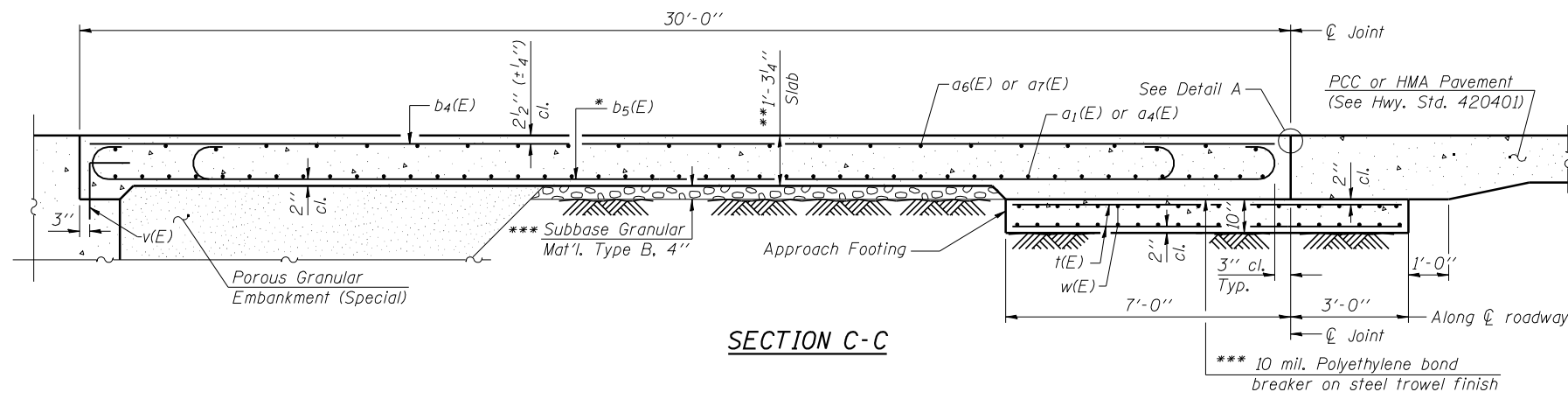
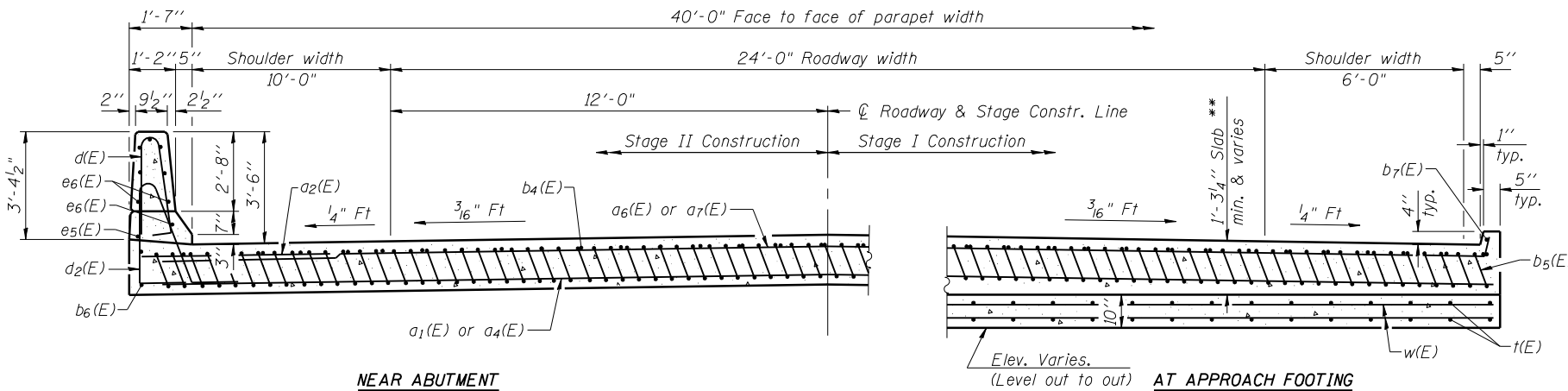


Notes:
 See sheet 16 of 31 for Detail A and View B-B.
 Approach slab and parapet concrete shall be paid for as Concrete Superstructure.
 Approach footing concrete shall be paid for as Concrete Structures.
 Reinforcement shall be paid for as Reinforcement Bars, Epoxy Coated.
 For v(E) bar details, see Abutment Details.
 The approach footing maximum applied service bearing pressure (Qmax) = 2.0 ksf.
 For bar splicer details, see sheet 30 of 31.
 Cost of excavation for approach footing included with Concrete Structures.
 For Porous Granular Embankment (Special) and drainage treatment details, see sheet 2 of 31.
 For additional parapet details, see sheet 14 of 31.



SECTION C-C

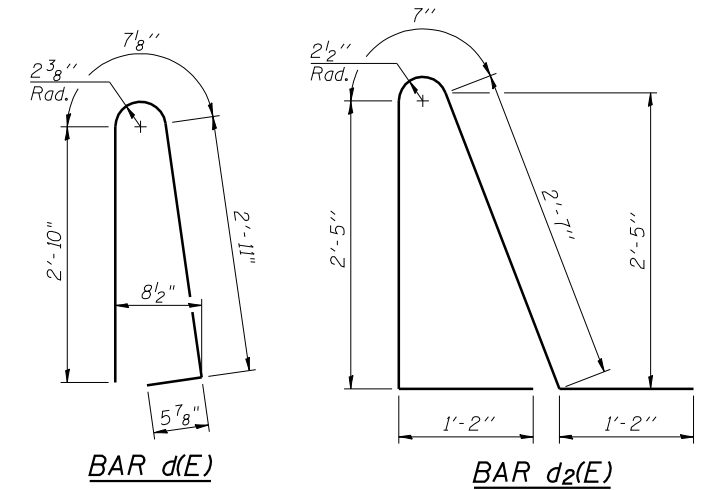


NEAR ABUTMENT

SECTION D-D

(See Plan for dimensions not shown)

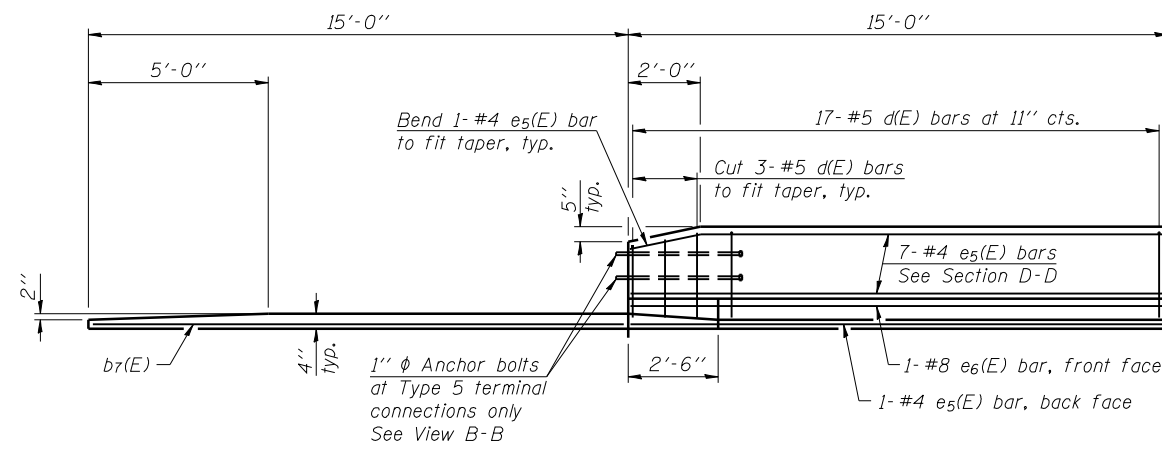
AT APPROACH FOOTING



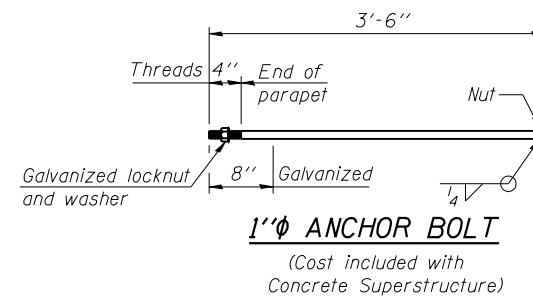
BAR d(E)

BAR d2(E)

- * Tilt #9 b5(E) bars as required to maintain clearance.
- ** Prior to grinding
- *** Cost included with Concrete Superstructure.

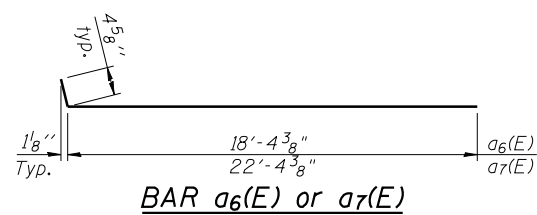


VIEW E-E

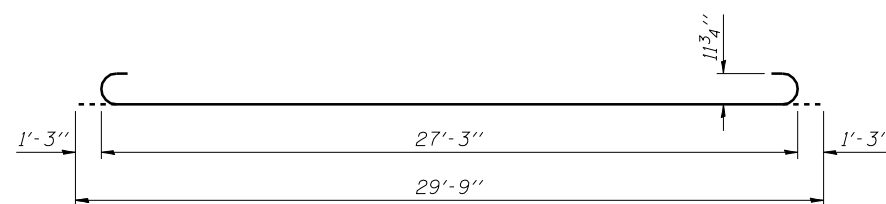


1" ANCHOR BOLT

(Cost included with Concrete Superstructure)



BAR a6(E) or a7(E)



BAR b5(E)

FOUR APPROACHES
 BILL OF MATERIAL

Bar	No.	Size	Length	Shape
a1(E)	184	#5	18'-6"	—
a2(E)	96	#6	6'-6"	—
a4(E)	184	#5	22'-6"	—
a6(E)	100	#4	18'-9"	—
a7(E)	100	#4	22'-9"	—
b4(E)	136	#4	29'-8"	—
b5(E)	384	#9	29'-9"	—
b6(E)	8	#4	14'-8"	—
b7(E)	8	#4	14'-6"	—
d(E)	136	#5	6'-10"	U
d2(E)	136	#5	7'-11"	U
e5(E)	64	#4	14'-8"	—
e6(E)	8	#8	14'-8"	—
t(E)	336	#4	9'-8"	—
w(E)	160	#5	18'-6"	—
w1(E)	160	#5	22'-6"	—
Concrete Superstructure		Cu. Yd.	270.8	
Concrete Structures		Cu. Yd.	51.6	
Reinforcement Bars, Epoxy Coated		Pound	65,320	
Bar Splicers		Each	364	

BA-0 1-27-12



JOB = 2276.3
 FILE = 0540057_0058-ApprSlab.dgn
 DATE = 2/11/2013

DESIGNED - AAN
 CHECKED - MDC
 DRAWN - SJS
 CHECKED - MDC

REVISED -
 REVISED -
 REVISED -
 REVISED -

STATE OF ILLINOIS
 DEPARTMENT OF TRANSPORTATION

BRIDGE APPROACH SLAB DETAILS
 STRUCTURE NO. 054-0057 (NB) & 054-0058 (SB)

(Sheet 2 of 2)

SHEET NO. 17 OF 31 SHEETS

F.A.I. RTE.	SECTION	COUNTY	TOTAL SHEETS	SHEET NO.
55	D6 LOGAN CO BR 2011-1	LOGAN	429	216
CONTRACT NO. 72E11				

ILLINOIS FED. AID PROJECT