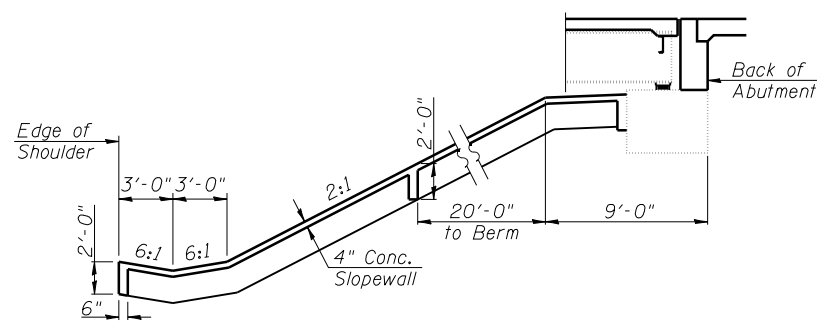
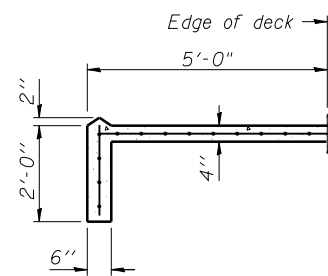


PLAN



SECTION THRU SLOPEWALL @ BUS 55



SECTION A-A

LEGEND



BILL OF MATERIAL

ITEM	UNIT	TOTAL
Slope Wall Repair	SQ YD	241
Controlled Low-Strength Material	CU YD	80

Notes:
Slope wall shall be reinforced with welded wire fabric, 6 in. x 6 in., W4.0 x W4.0, weighting 58 lbs. per 100 sq. ft.



JOB	= 2265.2	DESIGNED	- AAN	REVISED	-
FILE	= 0540060_0061-72E11-50-51-SlopeWall	CHECKED	- MDL	REVISED	-
DATE	= 3/18/2013	DRAWN	- SJS	REVISED	-
		CHECKED	- MDC	REVISED	-

STATE OF ILLINOIS
DEPARTMENT OF TRANSPORTATION

WEST SLOPE WALL REPAIR
STRUCTURE NO. 054-0060 (SB) & STRUCTURE NO. 054-0061 (NB)

SHEET NO. 50 OF 53 SHEETS

F.A.I. RTE.	SECTION	COUNTY	TOTAL SHEETS	SHEET NO.
55	D6 LOGAN CO BR 2011-1	LOGAN	429	280
			CONTRACT NO. 72E11	

ILLINOIS FED. AID PROJECT