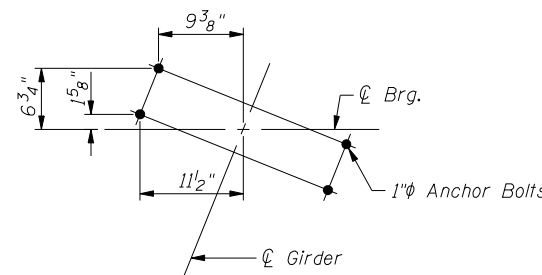
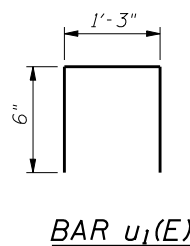
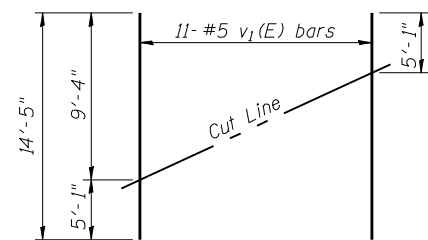
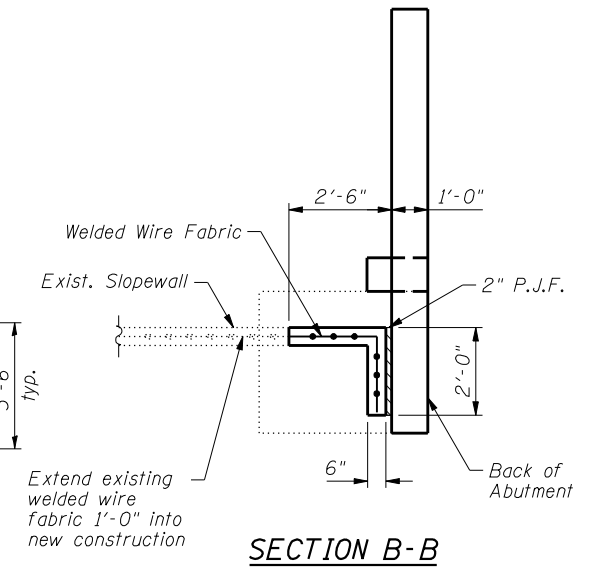
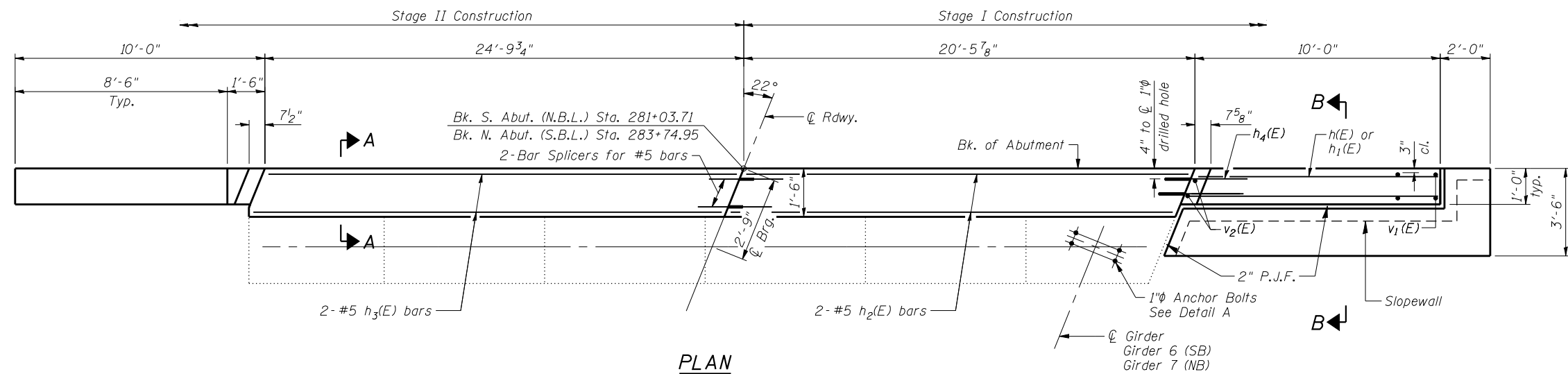
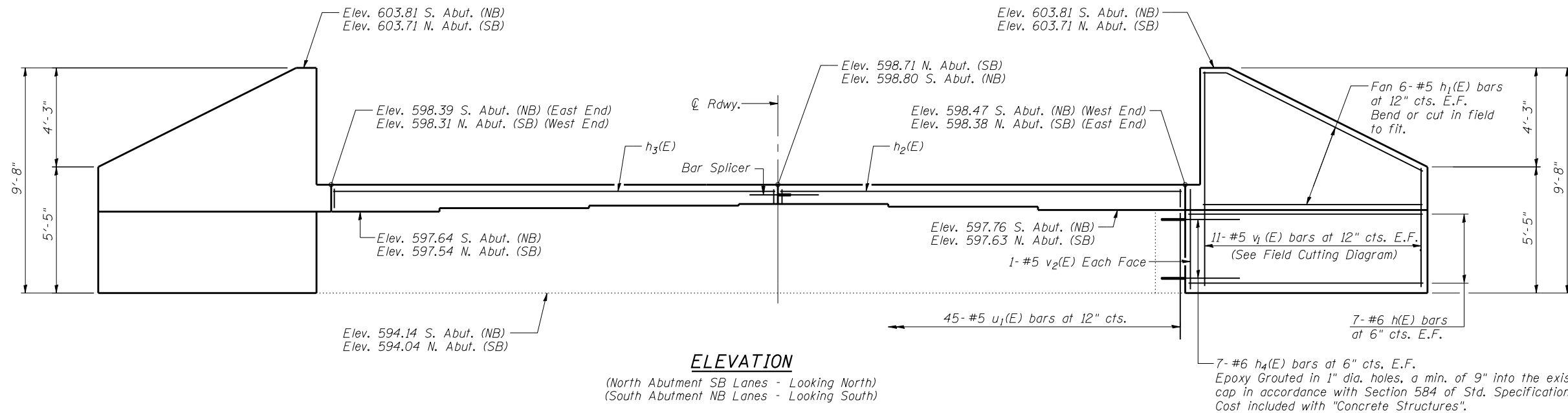


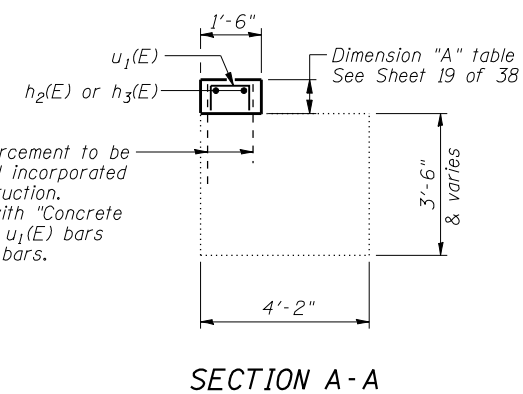
**BILL OF MATERIAL
TWO ABUTMENTS**

Bar	No.	Size	Length	Shape
h(E)	56	#6	9'-6"	—
h ₁ (E)	48	#5	10'-0"	—
h ₂ (E)	4	#5	20'-0"	—
h ₃ (E)	4	#5	24'-5"	—
h ₄ (E)	56	#6	5'-9"	—
u ₁ (E)	90	#5	2'-3"	□
v ₁ (E)	44	#5	14'-5"	—
v ₂ (E)	8	#5	4'-4"	—
Structure Excavation		Cu. Yd.	242	
Concrete Structures		Cu. Yd.	15.4	
Reinforcement Bars, Epoxy Coated		Pound	2880	

Notes:
Sloped wall shall be reinforced with welded wire fabric, 6 in. x 6 in. - W4.0xW4.0, weighing 58 lbs. per 100 sq. ft.
See sheet 34 & 35 of 38 for quantity of Sloped wall.



Existing Reinforcement to be cut in field and incorporated into new construction. Cost included with "Concrete Removal". Lap u₁(E) bars with existing v bars.



MIN. LAP
#6 bar = 4'-5"

FILE NAME =	USER NAME = .MML.	DESIGNED - RKM	REVISED -
... \0540063-0064-72e11-031-abut-det2.dgn		CHECKED - MCB	REVISED -
CB PROJECT NO. 10007-3	PLOT SCALE = 5/4.00' = 1" / IN.	DRAWN - CFC	REVISED -
	PLOT DATE = 3/18/2013	CHECKED - RKM	REVISED -

**STATE OF ILLINOIS
DEPARTMENT OF TRANSPORTATION**

**N. ABUTMENT (S.B.), S. ABUTMENT (N.B.)
STRUCTURE NO. 054-0063 (N.B.) & 054-0064 (S.B.)**

SHEET NO. 31 OF 38 SHEETS

CB Coombe-Bloxdorf P.C.
- CIVIL ENGINEERS -
- STRUCTURAL ENGINEERS -
- LAND SURVEYORS -
Design Firm License No. 184-002703

F.A.I. RTE.	SECTION	COUNTY	TOTAL SHEETS	SHEET NO.
55	D6 LOGAN CO BR 2011-1	LOGAN	429	316
				CONTRACT NO. 72E11

ILLINOIS FED. AID PROJECT