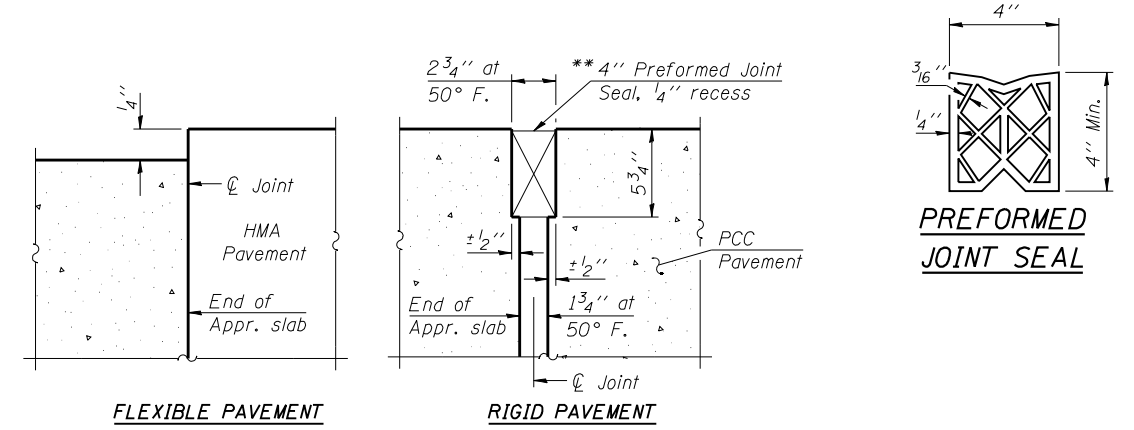
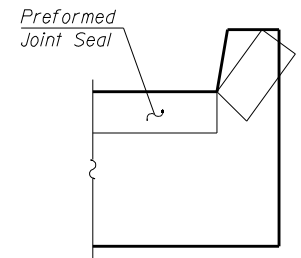


Notes:
 See sheet 20 of 39 for Sections C-C & D-D and View E-E.
 $a_4(E)$ and $a_5(E)$ bar spacings measured along Local Tangent.
 The joint opening shall be determined per Article 520.04 except that on jointless structures, the distance described as the bridge length between the nearest fixed bearings each way from the joint shall be taken as half the bridge length plus the approach slab length. The minimum dimension shall be $1\frac{1}{2}$ " for installation purposes.

** Cost included with Concrete Superstructure.



DETAIL A

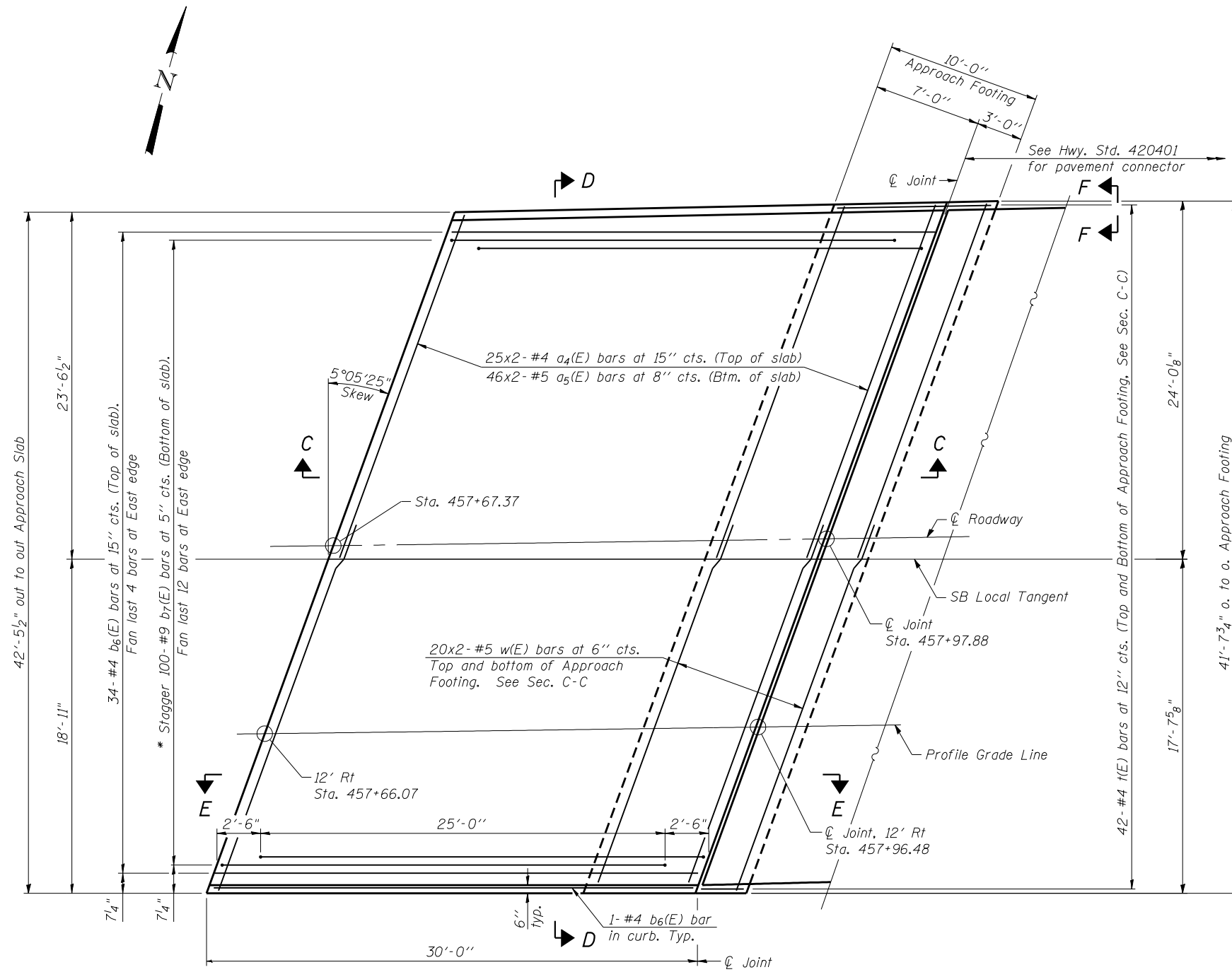


VIEW F-F

Angle Preformed Joint Seal at 45° at curbs when req'd for drainage.

MIN. BAR LAP

- #4 bars 2'-4"
- #5 bars 2'-7"



PLAN

* Tilt #9 $b_7(E)$ bars as required to maintain clearance.

BA-L

7-1-10

FILE NAME =	USER NAME = .MML	DESIGNED - GJB	REVISED -
...\\0540065-0066-72e11-019-n-appr-slab-sb	details.dgn	CHECKED - MCB/RKM	REVISED -
PLOT SCALE = 0:2.000000 '1' / IN.	DRAWN - CFC	REVISOR -	REVISED -
PLOT DATE = 3/18/2013	CHECKED - MCB/GJB	REVISOR -	REVISED -

STATE OF ILLINOIS
 DEPARTMENT OF TRANSPORTATION

BRIDGE NORTH APPROACH SLAB DETAILS (SOUTH BOUND STRUCTURE)
 STRUCTURE NO. 054-0065 (N.B.) & 054-0066 (S.B.)

SHEET NO. 19 OF 39 SHEETS

CB Coombe-Bloxdorf P.C.
 - CIVIL ENGINEERS -
 - STRUCTURAL ENGINEERS -
 - LAND SURVEYORS -
 Design Firm License No. 184-002703

F.A.I. RT.E.	SECTION	COUNTY	TOTAL SHEETS	SHEET NO.
55	D6 LOGAN CO BR 2011-1	LOGAN	429	342
				CONTRACT NO. 72E11

ILLINOIS FED. AID PROJECT