

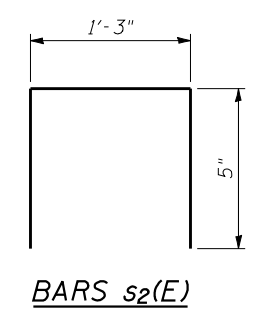
ELEVATION
(Looking North)

*Bars epoxy grouted into existing cap a min 9". Cost included with Concrete Structures.

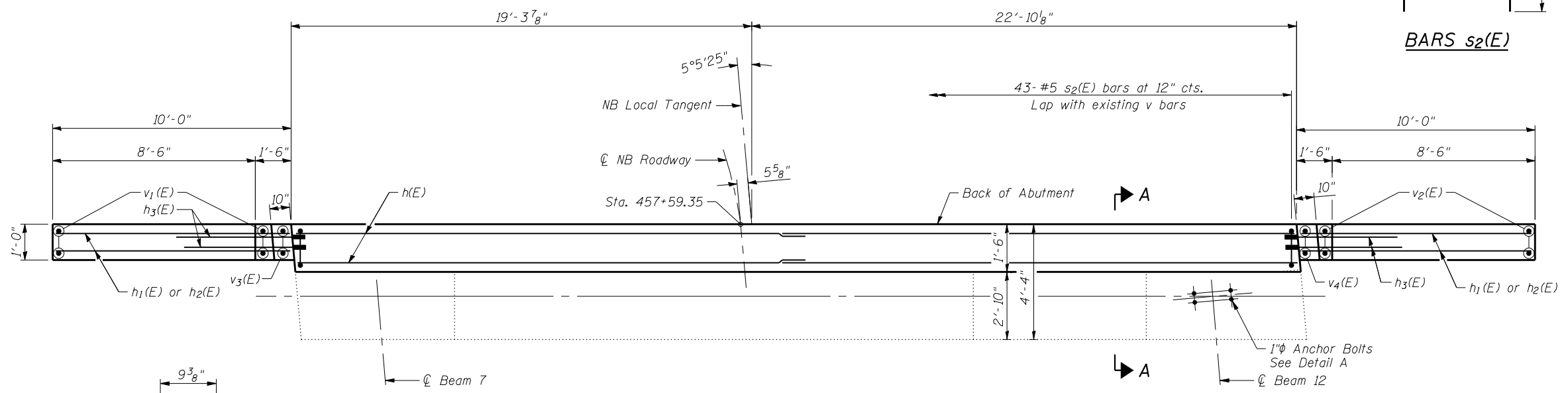
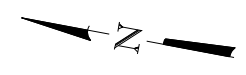
BILL OF MATERIAL

Bar	No.	Size	Length	Shape
h(E)	4	#5	22'-9"	—
h ₁ (E)	34	#6	9'-8"	—
h ₂ (E)	20	#5	8'-11"	—
h ₃ (E)	34	#6	6'-0"	—
s ₂ (E)	43	#5	2'-1"	⊏
v ₁ (E)	9	#5	10'-7"	—
v ₂ (E)	9	#5	14'-0"	—
v ₃ (E)	2	#5	3'-10"	—
v ₄ (E)	2	#5	5'-7"	—
Structure Excavation			Cu. Yd.	69
Concrete Structures			Cu. Yd.	6.9
Reinforcement Bars, Epoxy Coated			Pound	1420

EAST WING

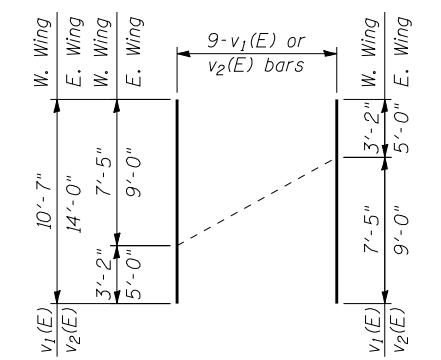


BARS s₂(E)



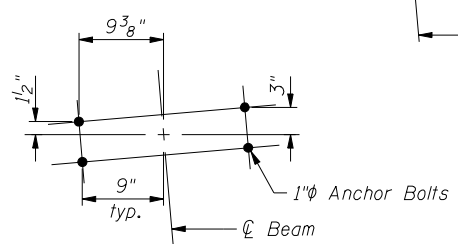
PLAN

MIN. BAR LAP
#5 bar = 3'-3"



FIELD CUTTING DIAGRAM

Order v₁(E) and v₂(E) bars full length. Cut as shown and use remainder of bars in opposite face.



DETAIL A
(Showing Anchor Bolt Location)

FILE NAME =	USER NAME = .MML.	DESIGNED - GJB	REVISED -
...\\0540065-0065-72e11-033-n-abut-nb.dgn		CHECKED - MCB/RKM	REVISED -
	PLOT SCALE = 5:4.000000 '1' / IN.	DRAWN - CFC/MML	REVISED -
CB PROJECT NO 10065-1	PLOT DATE = 3/18/2013	CHECKED - MCB/GJB	REVISED -

STATE OF ILLINOIS
DEPARTMENT OF TRANSPORTATION

NORTH ABUTMENT (NORTH BOUND STRUCTURE)
STRUCTURE NO. 054-0065 (N.B.) & 054-0066 (S.B.)

SHEET NO. 33 OF 39 SHEETS

CB Coombe-Bloxdorf P.C.
- CIVIL ENGINEERS -
- STRUCTURAL ENGINEERS -
- LAND SURVEYORS -
Design Firm License No. 184-002703

F.A.I. RTE.	SECTION	COUNTY	TOTAL SHEETS	SHEET NO.
55	D6 LOGAN CO BR 2011-1	LOGAN	429	356

CONTRACT NO. 72E11
ILLINOIS FED. AID PROJECT