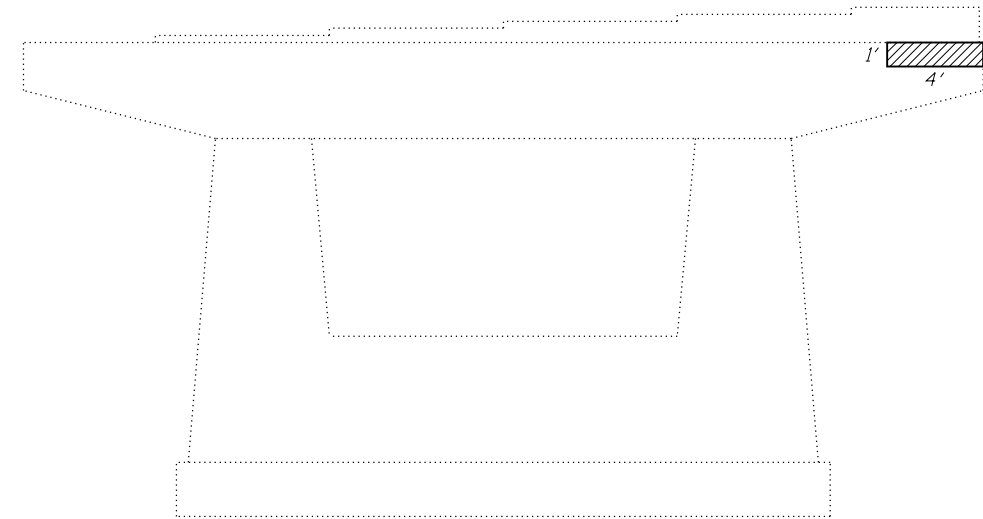
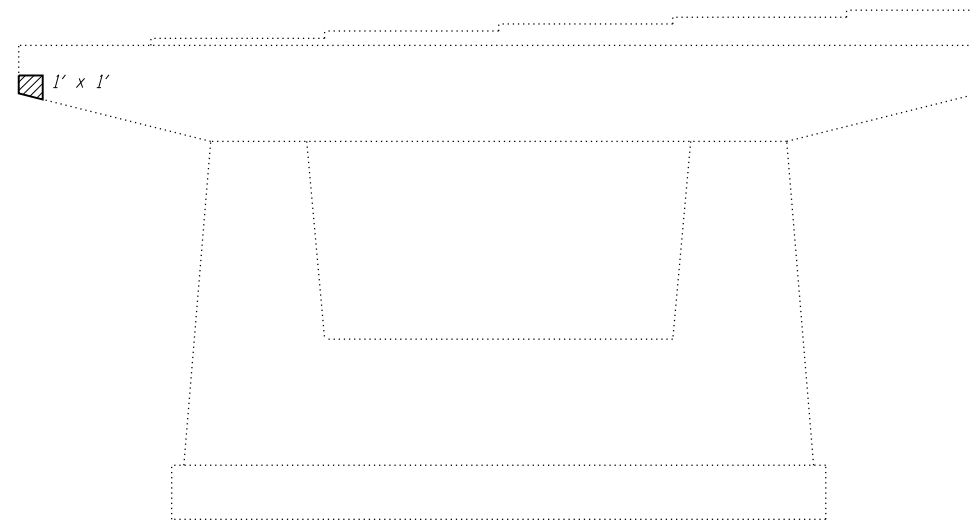


S.N. 054-0065 (N.B.)
PIER 1 ELEVATION
 (North Face)



S.N. 054-0066 (S.B.)
PIER 1 ELEVATION
 (South Face)



S.N. 054-0065 (N.B.)
PIER 2 ELEVATION
 (South Face)

LEGEND

Structural Repair of Concrete
 (Depth, \leq 5")

BILL OF MATERIAL

ITEM	UNIT	TOTAL
Structural Repair of Concrete (Depth \leq 5")	Sq Ft	8

CB Coombe-Bloxdorf P.C.
 - CIVIL ENGINEERS -
 - STRUCTURAL ENGINEERS -
 - LAND SURVEYORS -
 Design Firm License No. 184-002703

FILE NAME =	USER NAME = .MML	DESIGNED - GJB	REVISED -
... \0540065-0066-72e11-035-pier-repair.dgn		CHECKED - MCB/RKM	REVISED -
	PLOT SCALE = 8:0.000000 'x' / IN.	DRAWN - MML	REVISED -
CB PROJECT NO 10065-1	PLOT DATE = 3/18/2013	CHECKED - MCB/GJB	REVISED -

STATE OF ILLINOIS
DEPARTMENT OF TRANSPORTATION

PIER CONCRETE REPAIRS
STRUCTURE NO. 054-0065 (N.B.) & 054-0066 (S.B.)

SHEET NO. 35 OF 39 SHEETS

F.A.I. RTE.	SECTION	COUNTY	TOTAL SHEETS	SHEET NO.
55	D6 LOGAN CO BR 2011-1	LOGAN	429	358
				CONTRACT NO. 72E11
ILLINOIS FED. AID PROJECT				