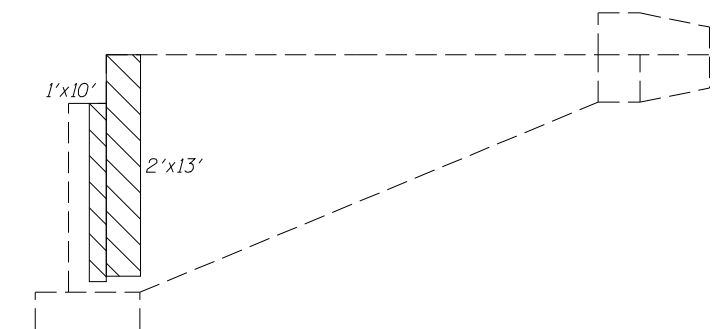
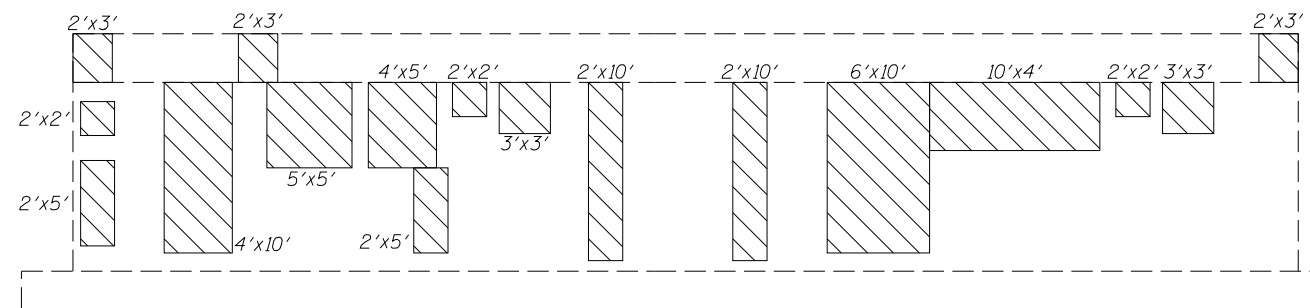
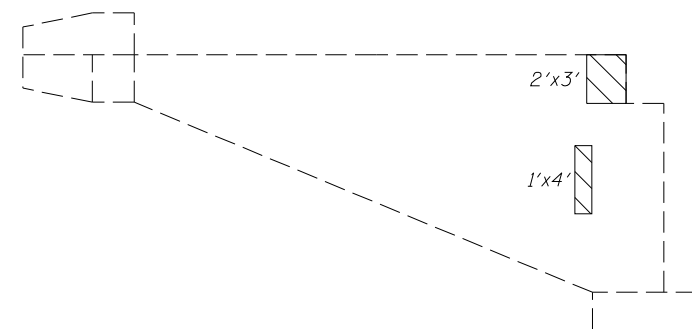


EAST ABUTMENT



WEST ABUTMENT

NOTES

Quantities and repair areas shown are estimated. Actual areas to be determined by the Resident Engineer.

 Indicates Structural Repair of Concrete Depth ≤ 5"

BILL OF MATERIAL

Item	Unit	Total
Structural Repair of Concrete Depth equal to or less than 5"	Sq. Ft.	552