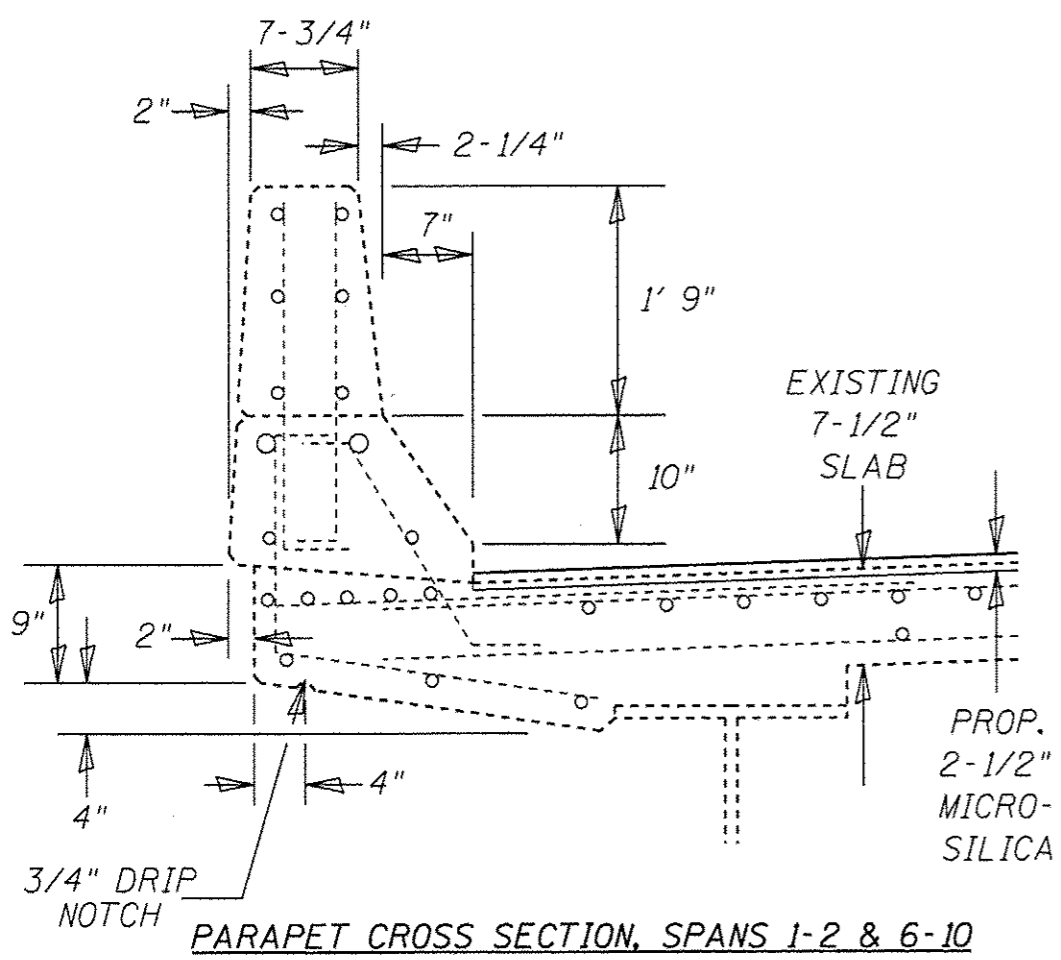


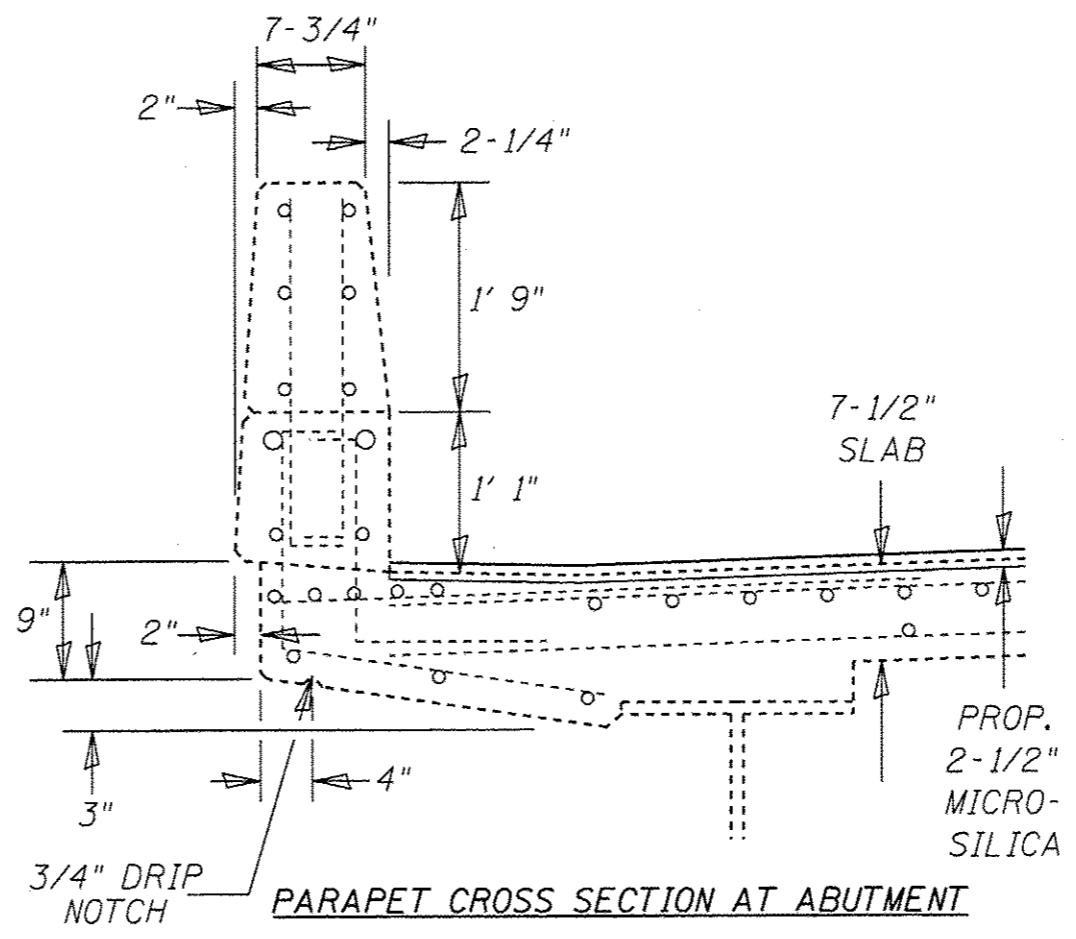
BRIDGE CROSS SECTION, SPANS 1-2 & 6-10

6" DECK DRAINS (TYP.)

W33x118 (TYP.) SPANS 1-2  
W30x99 (TYP.) SPANS 6-10



PARAPET CROSS SECTION, SPANS 1-2 & 6-10



PARAPET CROSS SECTION AT ABUTMENT

BRIDGE CROSS SECTIONS  
FAP 320 (IL 121)  
SECTION (117) I-2  
LOGAN COUNTY