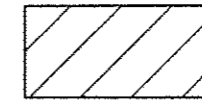


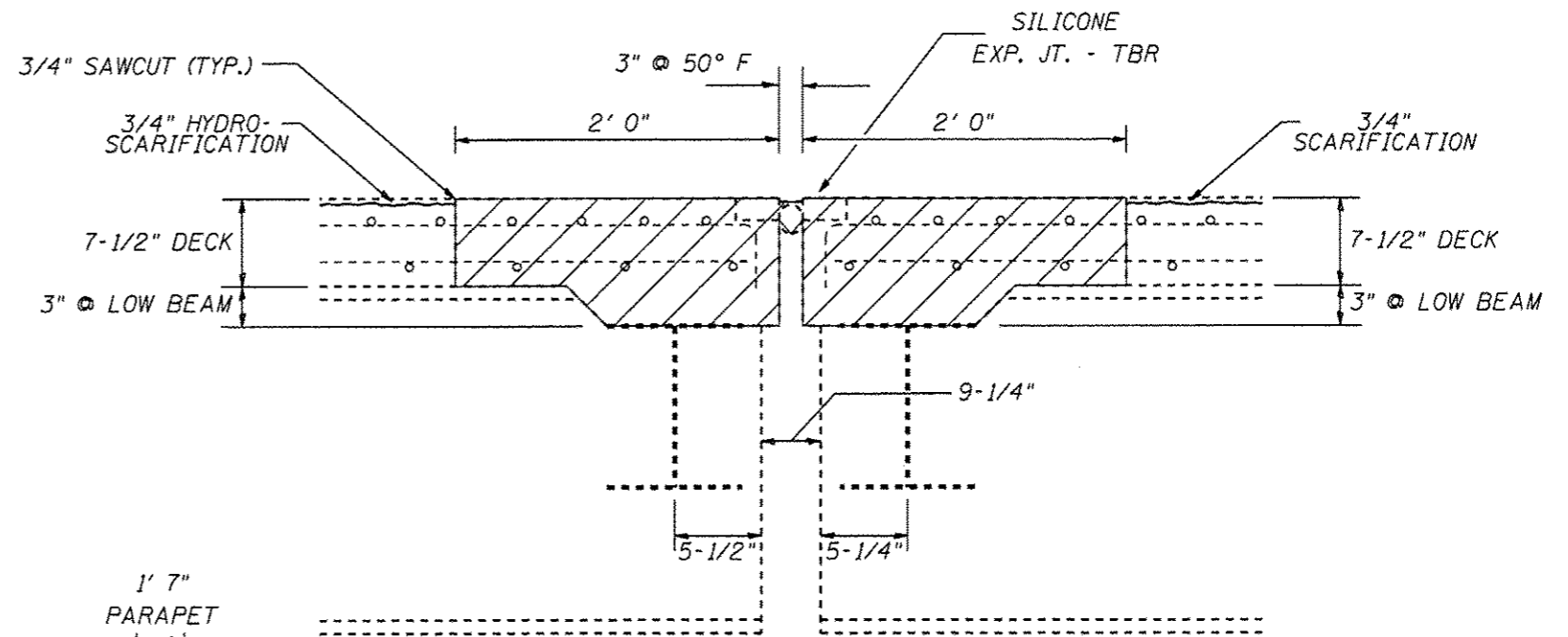
PIER 2 JOINT CROSS SECTION



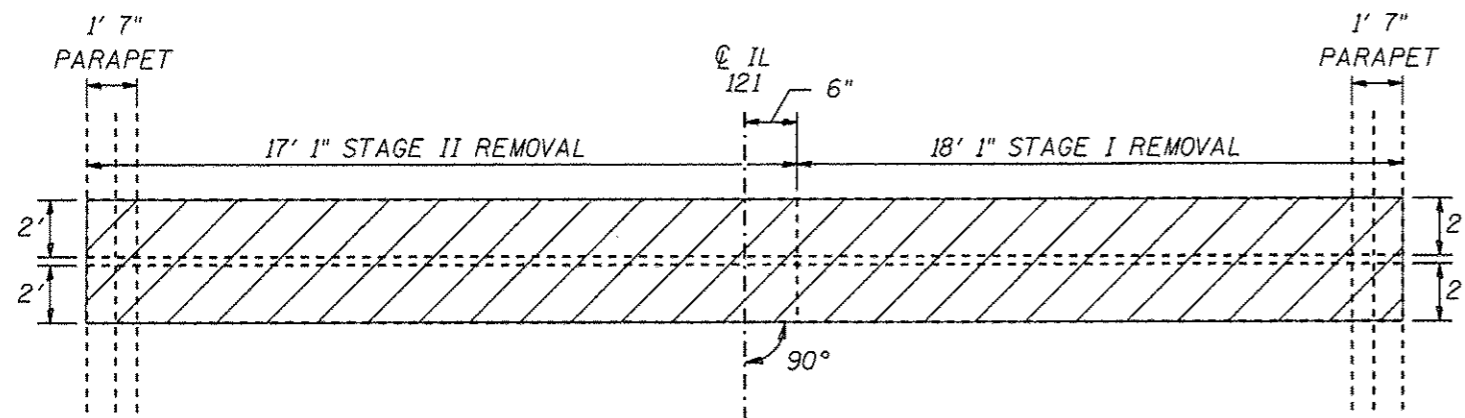
REMOVAL AREAS

PIER 2 AND PIER 5 TOTAL REM.	
CONCRETE REMOVAL	11.3 CU YD

NOTE: THE COST OF JOINT REMOVAL AND DISPOSAL SHALL BE PAID AS CONCRETE REMOVAL.



PIER 5 JOINT CROSS SECTION



PIER 2 & 5 JOINT PLAN

PIER 2 & 5 REMOVAL DETAILS
FAP 320 (IL 121)
SECTION (117) I-2
LOGAN COUNTY