

STATE OF ILLINOIS
DEPARTMENT OF TRANSPORTATION
DIVISION OF HIGHWAYS

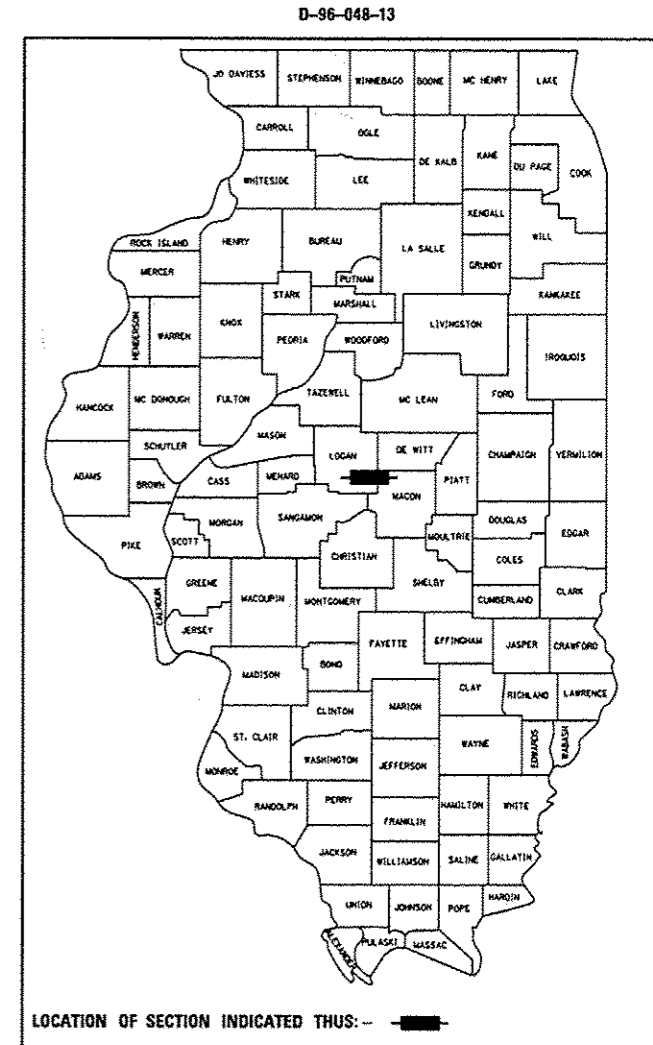
**PROPOSED
CONTRACT MAINTENANCE**

FAP ROUTE 320 (IL 121)
SECTION (134) I-2
PROJECT PATCHING AND RESURFACING
TYPE of IMPROVEMENT
LOGAN COUNTY

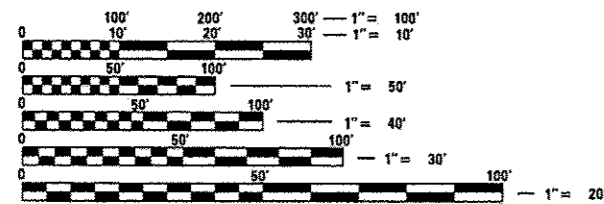
C-96-048-13

F.A.P. RTE.	SECTION	COUNTY	TOTAL SHEETS	SHEET NO.
320	(134) I-2	LOGAN	8	1
		ILLINOIS	CONTRACT NO. 72G13	

FOR INDEX OF SHEETS, SEE SHEET NO. 2



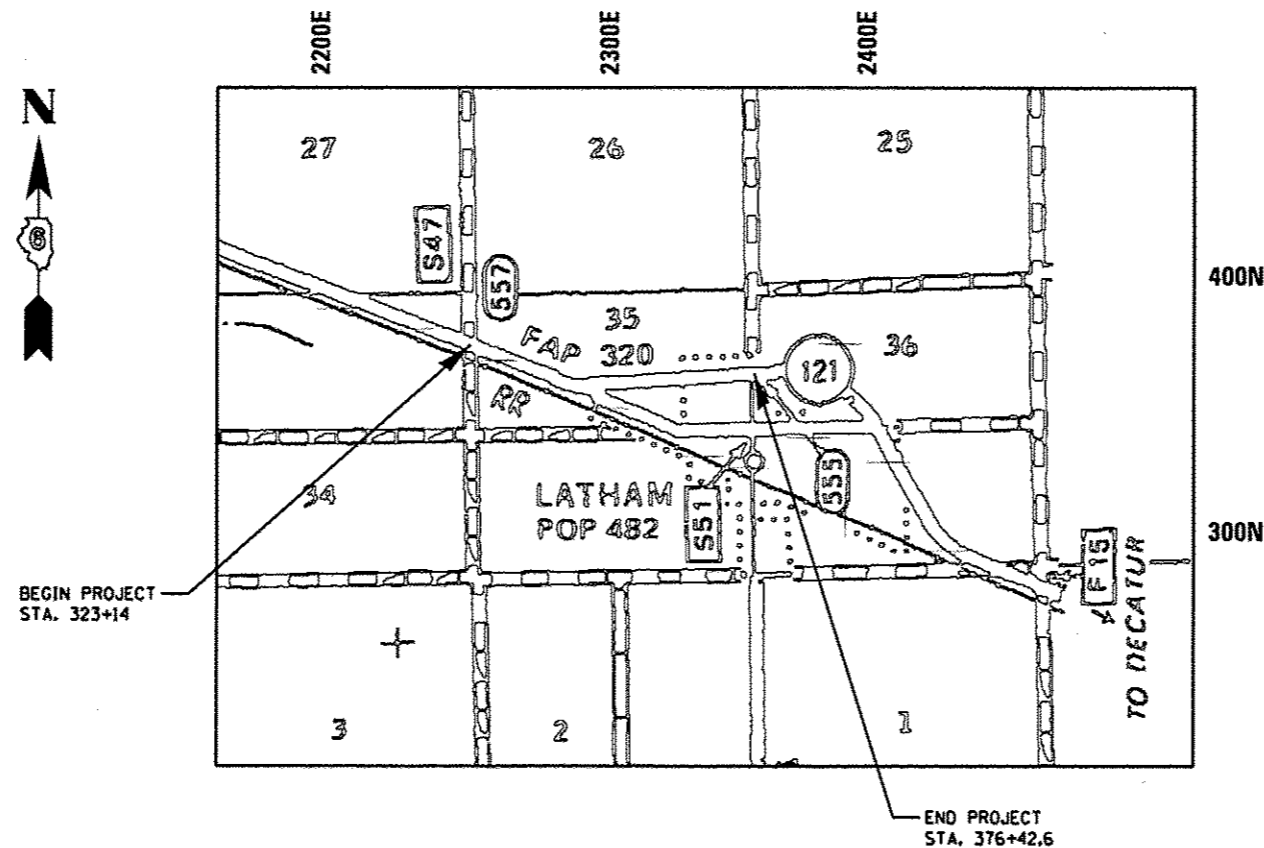
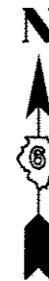
ADT: 2800 (2011)
SU: 15.18 (%)
MU: 8.93 (%)



FULL SIZE PLANS HAVE BEEN PREPARED USING STANDARD ENGINEERING SCALES. REDUCED SIZED PLANS WILL NOT CONFORM TO STANDARD SCALES. IN MAKING MEASUREMENTS ON REDUCED PLANS, THE ABOVE SCALES MAY BE USED.

J.U.L.I.E.
JOINT UTILITY LOCATION INFORMATION FOR EXCAVATION
1-800-892-0123
OR 811

PLAN AND CONTRACT TECHNICIAN
TIMOTHY SHARP (217) 782-7743
DAVE SHAH
CONTRACT NO. 72G13



NET LENGTH = 5,328.6 FT. = 1.009 MILE

STATE OF ILLINOIS
DEPARTMENT OF TRANSPORTATION
DIVISION OF HIGHWAYS

SUBMITTED April 3, 2013
Roger L. Priskell
DEPUTY DIRECTOR OF HIGHWAYS, REGION ENGINEER

May 10, 2013
John D. Baranzelli, PE
ENGINEER OF DESIGN AND ENVIRONMENT

May 10, 2013
Omer Osman, PE
DIRECTOR OF HIGHWAYS, CHIEF ENGINEER

**PRINTED BY THE AUTHORITY
OF THE STATE OF ILLINOIS**

INDEX

- 1 COVER SHEET
- 2 INDEX/STANDARDS/SIGNATURES/MIXTURE REQUIREMENTS
- 3 LOCATION MAP
- 4 SUMMARY & SCHEDULE OF QUANTITIES
- 5 PLAN VIEW - SUB-SURFACE DRAINS
- 6-7 TYPICAL SECTIONS
- 8 BUTT JOINT DETAIL

STANDARDS

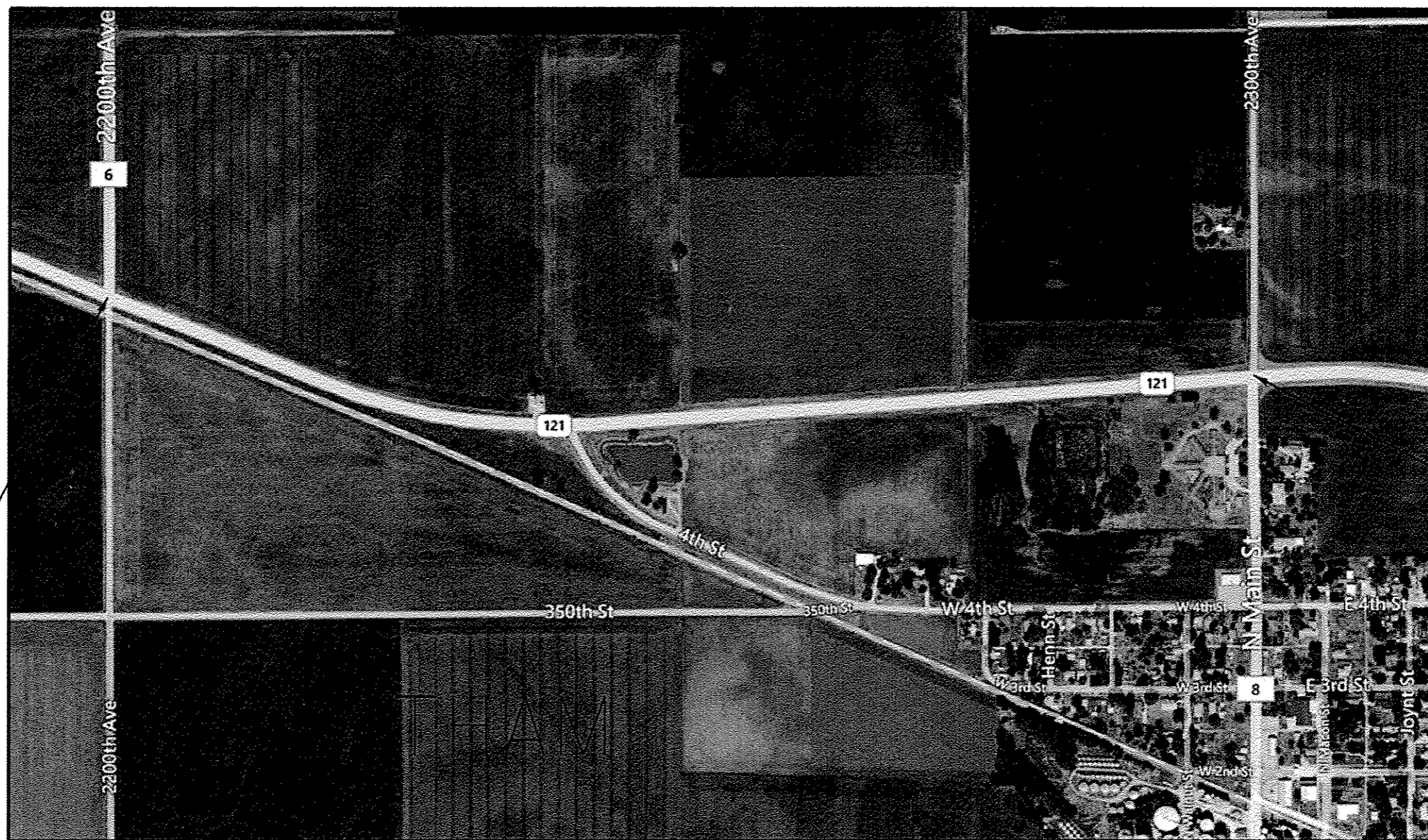
- 442201-03 CLASS C & D PATCHES
- 601001-04 SUB-SURFACE DRAINS
- 701001-02 OFF-RD OPERATIONS, 2L, 2W, MORE THAN 15' (4.5 m) AWAY
- 701006-04 OFF-RD OPERATIONS, 2L, 2W, 15' (4.5 m) TO 24" (600 mm) FROM PAVEMENT EDGE
- 701201-04 LANE CLOSURE, 2L, 2W, DAY ONLY, FOR SPEEDS > 45 MPH
- 701301-04 LANE CLOSURE, 2L, 2W, SHORT TIME OPERATIONS
- 701306-03 LANE CLOSURE, 2L, 2W, SLOW MOVING OPERATIONS DAY ONLY, FOR SPEEDS > 45 MPH
- 701311-03 LANE CLOSURE, 2L, 2W, MOVING OPERATIONS DAY ONLY
- 701326-04 LANE CLOSURE, 2L, 2W, PAVEMENT WIDENING, FOR SPEEDS >45 MPH
- 701901-02 TRAFFIC CONTROL DEVICES
- 780001-03 TYPICAL PAVEMENT MARKINGS
- 781001-03 TYPICAL APPLICATIONS, RAISED REFLECTIVE PAVEMENT MARKERS

STATE OF ILLINOIS DEPARTMENT OF TRANSPORTATION DIVISION OF HIGHWAYS DISTRICT 6	
EXAMINED <u>4/9</u>	20 <u>13</u>
<i>Bill Meyer</i> ENGINEER OF OPERATIONS	
EXAMINED <u>APRIL 3</u>	20 <u>13</u>
<i>Jimmy J. [Signature]</i> ENGINEER OF PROJECT IMPLEMENTATION	
EXAMINED <u>April 3</u>	20 <u>13</u>
<i>Laura R. Macnisk</i> ENGINEER OF PROGRAM DEVELOPMENT	

MIXTURE REQUIREMENTS

THE FOLLOWING MIXTURE REQUIREMENTS ARE APPLICABLE FOR THIS PROJECT

MIXTURE USES (S):	SURFACE	PAVEMENT PATCHING	H.M.A SHOULDER
AC/PG:	PG 64-22	PG 64-22	PG 64-22
DESIGN AIR VOIDS:	4.0% @ N70	4.0% @ N70	4.0% @ N50
MIXTURE COMPOSITION:	IL 9.5	IL 19.0	IL 9.5
FRICTION AGGREGATE:	MIX C	N/A	MIX C



BEGIN PROJECT
STA. 323+14

END PROJECT
376+42.60

FILE NAME *	USER NAME * ahehdm	DESIGNED -	REVISED -	STATE OF ILLINOIS DEPARTMENT OF TRANSPORTATION	LOCATION MAP		F.A.P. RTE.	SECTION	COUNTY	TOTAL SHEETS	SHEET NO.	
Default	Plot Scale * N/A	CHECKED -	REVISED -				320	(134) 1-2	LOGAN	8	3	
	PLOT DATE * Mar-27-2013 8:46:43AM	DATE -	REVISED -		SCALE:	SHEET 1	OF 1	SHEETS	STA.	TO STA.	CONTRACT NO. 72G13	
ILLINOIS FED. AID PROJECT												

CODE NO.	ITEM	UNIT	TOTAL QUANTITY	CONSTR. CODE
				ROADWAY 0005 S.N.
40600200	BITUMINOUS MATERIALS (PRIME COAT)	TON	5.4	5.4
40600300	AGGREGATE (PRIME COAT)	TON	28.5	28.5
40600895	CONSTRUCTING TEST STRIP	EACH	1	1
40600990	TEMPORARY RAMP	SQ YD	26.6	26.6
40603315	HOT-MIX ASPHALT SURFACE COURSE, MIX "C", N70	TON	1,200.0	1,200.0
44000155	HOT-MIX ASPHALT SURFACE REMOVAL, 1 1/2"	SQ YD	17,762	17,762
44200144	PAVEMENT PATCHING, TYPE II, 12 INCH	SQ YD	140	140
44200148	PAVEMENT PATCHING, TYPE III, 12 INCH	SQ YD	112	112
44200150	PAVEMENT PATCHING, TYPE IV, 12 INCH	SQ YD	80	80
48101200	AGGREGATE SHOULDERS, TYPE B	TON	606.8	606.8
48203003	HOT-MIX ASPHALT SHOULDERS, 1 1/2" h	SQ YD	3,553.00	3,553.00
60100060	CONCRETE HEADWALLS FOR PIPE DRAINS	EACH	18	18
60100074	SHOULDER REMOVAL AND REPLACEMENT	FOOT	10,700	10,700
60108100	PIPE UNDERDRAINS, 4" (SPECIAL)	FOOT	10,700	10,700
64200108	SHOULDER RUMBLE STRIPS, 8 INCH	FOOT	10,700	10,700
67100100	MOBILIZATION	L SUM	1	1

CODE NO.	ITEM	UNIT	TOTAL QUANTITY	CONSTR. CODE
				ROADWAY 0005 S.N.
70100450	TRAFFIC CONTROL AND PROTECTION, STANDARD 701201	L SUM	1	1
70100460	TRAFFIC CONTROL AND PROTECTION, STANDARD 701306	L SUM	1	1
70100500	TRAFFIC CONTROL AND PROTECTION, STANDARD 701326	L SUM	1	1
* 70300100	SHORT TERM PAVEMENT MARKING	FOOT	1065.6	1065.6
* 70300230	TEMPORARY PAVEMENT MARKING - LINE 5"	FOOT	11,989	11,989
70301000	WORK ZONE PAVEMENT MARKING REMOVAL	SQ FT	178	178
* 78001120	PAINT PAVEMENT MARKING - LINE 5"	FOOT	11,989	11,989
* 78100100	RAISED REFLECTIVE PAVEMENT MARKER	EACH	70	70
78300200	RAISED REFLECTIVE PAVEMENT MARKER REMOVAL	EACH	70	70

PAVEMENT MARKING SCHEDULE			
STATION	TYPE	PAINT PAVEMENT MARKING - LINE 5"	
		WHITE	YELLOW
LT & RT STA. 323+14 TO 376+42.6	EDGE	10657	
STA. 323+14 TO 376+42.6	SKIP-DASH		1332
SUB-TOTAL		10657	1332
TOTAL		11989	

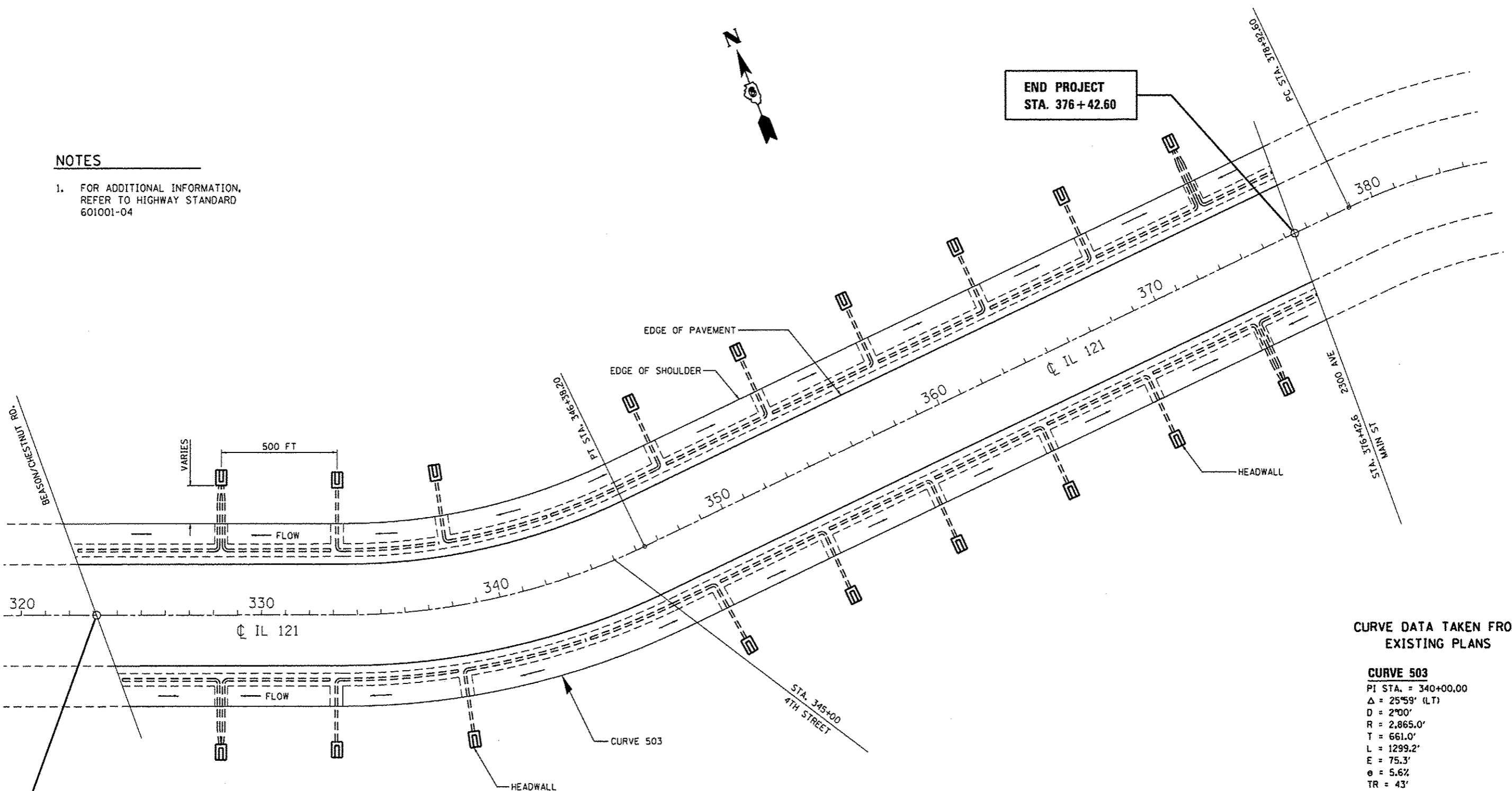
NOTES

- FOR ADDITIONAL INFORMATION, REFER TO HIGHWAY STANDARD 601001-04



**END PROJECT
STA. 376 + 42.60**

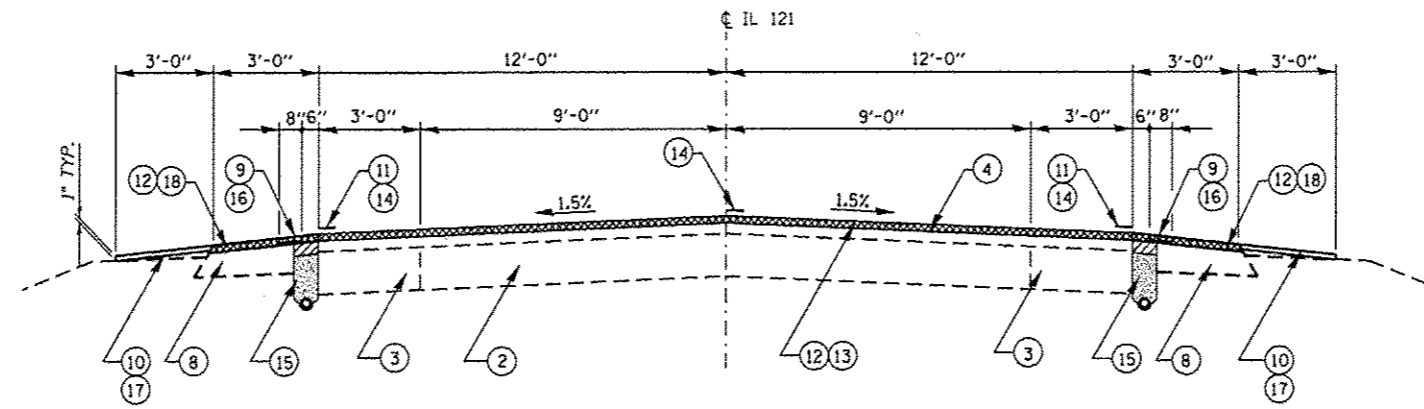
**BEGIN PROJECT
STA. 323 + 14.00**



CURVE DATA TAKEN FROM EXISTING PLANS

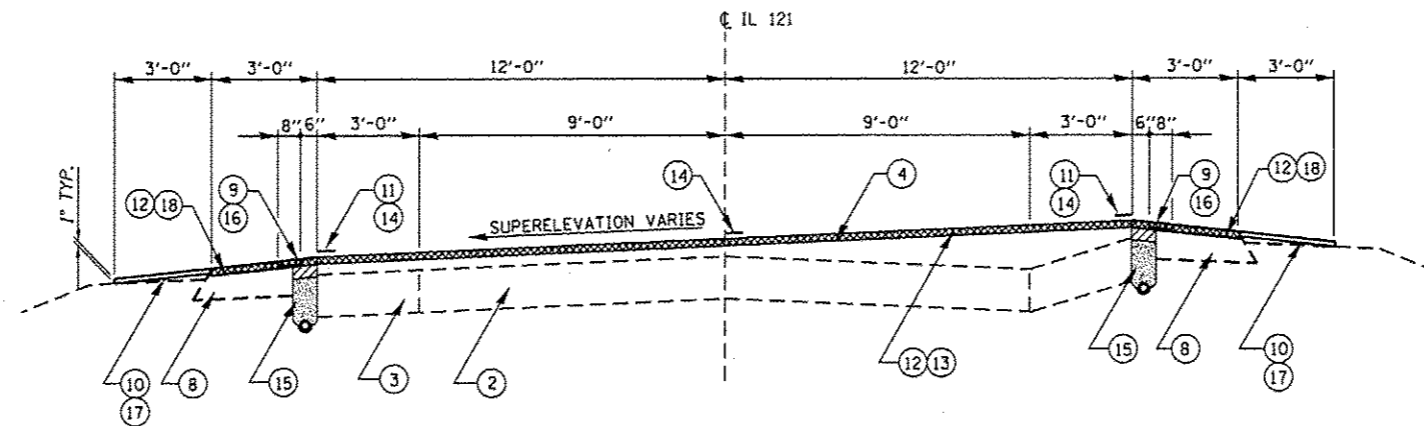
CURVE 503
 P.I. STA. = 340+00.00
 $\Delta = 25^{\circ}59'$ (LT)
 D = 2°00'
 R = 2,865.0'
 T = 661.0'
 L = 1299.2'
 E = 75.3'
 $e = 5.6\%$
 TR = 43'
 SE RUN = 160'
 P.C. STA. = 333+39.00
 P.T. STA. = 346+38.20
 SE ATTAINED FROM
 STA. 331+89 TO STA. 333+92
 SE REMOVED FROM
 STA. 345+85 TO STA. 347+88

FILE NAME *	USER NAME * shahdm	DESIGNED -	REVISED -	STATE OF ILLINOIS DEPARTMENT OF TRANSPORTATION	PLAN VIEW - SUB-SURFACE DRAINS	F.A.P. RTE.	SECTION	COUNTY	TOTAL SHEETS	SHEET NO.
0:\pwwork\pwwork\shahdm\08341386\06xxxx\shst-plan.dgn	DRAWN - DMS	REVISED -	320			(134) T-2	LOGAN	8	5	
PLOT SCALE * 40.0000 / in.	CHECKED -	REVISED -	CONTRACT NO. 72G13							
Default	PLOT DATE * Mar-27-2013 09:56:00AM	DATE -	REVISED -			SCALE:	SHEET	OF	SHEETS	STA.



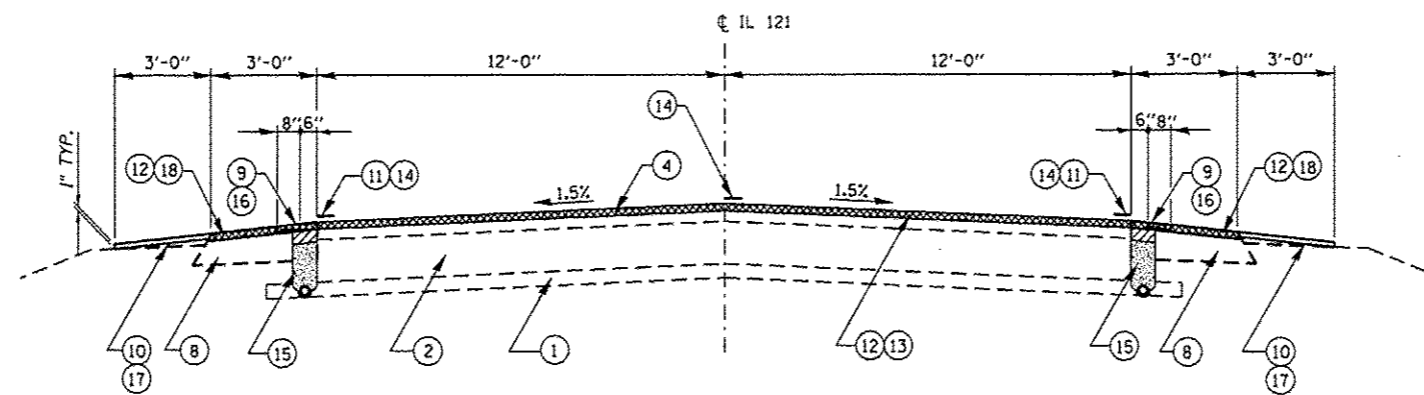
TYPICAL SECTION #1

STA. 323+14.0 TO STA. 333+39.0



TYPICAL SECTION #2

STA. 333+39.0 TO STA. 336+80.1 - CURVE 503 - S.E.=5.6%



TYPICAL SECTION #3

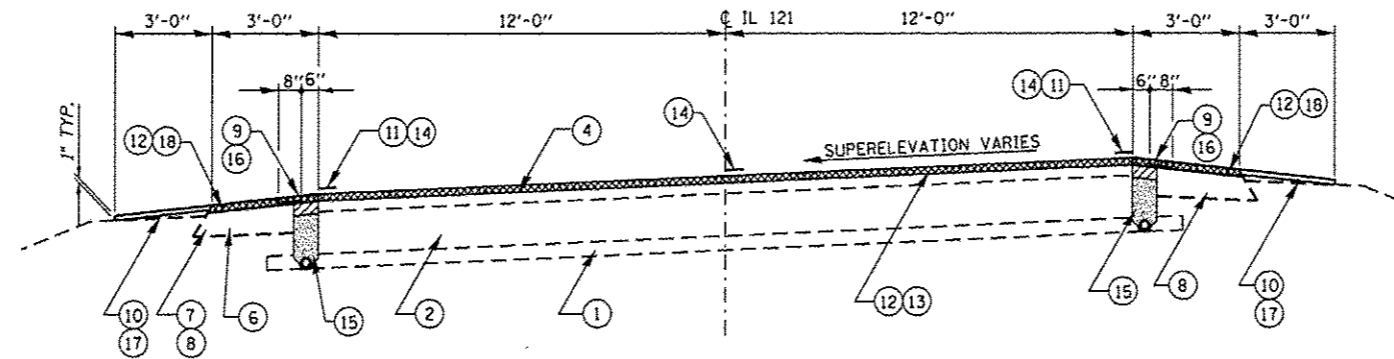
STA. 346+38.2 TO STA. 376+42.6

LEGEND

- ① EXIST. SUB-BASE GRANULAR MATERIAL
- ② EXIST. PCC BASE COURSE (9")
- ③ EXIST. PCC BASE COURSE WIDENING (9")
- ④ EXIST. BITUMINOUS CONCRETE SURFACE
- ⑤ EXIST. BITUMINOUS SHOULDER
- ⑧ EXIST. HOT-MIX ASPHALT SHOULDERS, 8"
- ⑨ EXIST. RUMBLE STRIPS
- ⑩ EXIST. AGGREGATE SHOULDER (TYPE B)
- ⑪ EXIST. PAVEMENT MARKING LINE 5"
- ⑫ PROP. H.M.A. SURFACE REMOVAL, 1/2"
- ⑬ PROP. H.M.A. SURFACE COURSE, MIX C, N70, 1/2"
- ⑭ PROP. PAINT PAVEMENT MARKING LINE 5"
- ⑮ PROP. PIPE UNDERDRAINS 4"
- ⑯ PROP. RUMBLE STRIPS
- ⑰ PROP. AGGREGATE SHOULDER, TYPE B
- ⑱ PROP. H.M.A. SHOULDERS 1 1/2"

NOTE:
EXISTING SLOPES AND SUPERELEVATION
DATA TAKEN FROM EXISTING PLANS.

FILE NAME *	USER NAME * Sharptd	DESIGNED -	REVISED -	STATE OF ILLINOIS DEPARTMENT OF TRANSPORTATION	TYPICAL SECTIONS		F.A.P. RTE.	SECTION	COUNTY	TOTAL SHEETS	SHEET NO.
ci:\pwwork\pwwork\sharptd\09341385\06xxx\sharptd\typical.dgn	DRAWN - DMS	REVISED -	REVISED -				320	(134) 1-2	LOGAN	8	6
PLOT SCALE * N/A	CHECKED -	REVISED -	REVISED -		CONTRACT NO. 72G13						
PLOT DATE * Apr-04-2013 07:25:42AM	DATE -	REVISED -	REVISED -		SCALE:	SHEET 1	OF 2 SHEETS	STA.	TQ STA.	ILLINOIS FED. AID PROJECT	



TYPICAL SECTION #4

STA. 336+80.1 TO STA 346+38.2 - CURVE 503 - S.E. = 5.6%

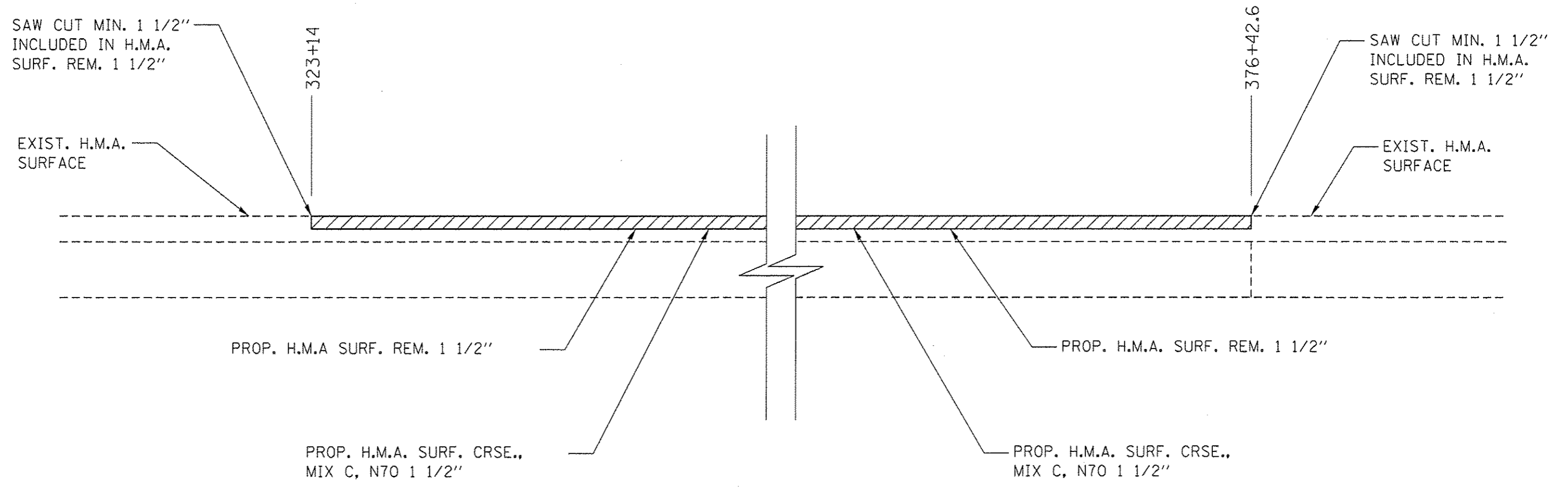
LEGEND

- ① EXIST. SUB-BASE GRANULAR MATERIAL
- ② EXIST. PCC BASE COURSE (9")
- ③ EXIST. PCC BASE COURSE WIDENING (9")
- ④ EXIST. BITUMINOUS CONCRETE SURFACE
- ⑤ EXIST. BITUMINOUS SHOULDER
- ⑧ EXIST. HOT-MIX ASPHALT SHOULDERS, 8"
- ⑨ EXIST. RUMBLE STRIPS
- ⑩ EXIST. AGGREGATE SHOULDER (TYPE B)
- ⑪ EXIST. PAVEMENT MARKING LINE 5"
- ⑫ PROP. H.M.A. SURFACE REMOVAL, 1/2"
- ⑬ PROP. H.M.A. SURFACE COURSE, MIX C, N70, 1/2"
- ⑭ PROP. PAINT PAVEMENT MARKING LINE 5"
- ⑮ PROP. PIPE UNDERDRAINS 4"
- ⑯ PROP. RUMBLE STRIPS
- ⑰ PROP. AGGREGATE SHOULDER, TYPE B
- ⑱ PROP. H.M.A. SHOULDERS 1 1/2"

NOTE:
EXISTING SLOPES AND SUPERELEVATION
DATA TAKEN FROM EXISTING PLANS.

FILE NAME *	USER NAME * Sharptd	DESIGNED -	REVISED -	STATE OF ILLINOIS DEPARTMENT OF TRANSPORTATION	TYPICAL SECTIONS			F.A.P. RTE.	SECTION	COUNTY	TOTAL SHEETS	SHEET NO.
o:\pwwork\pwwork\sharptd\09341386\08xxx\sh-typical.dgn	DRAWN - DMS	REVISED -	REVISED -					320	(134) I-2	LOGAN	8	7
PLOT SCALE * N/A	CHECKED -	REVISED -	REVISED -		CONTRACT NO. 72G13			ILLINOIS FED. AID PROJECT				
Defaults	PLOT DATE * Apr-04-2013 07:29:20AM	DATE -	REVISED -		SCALE:	SHEET 2	OF 2 SHEETS			STA.	TO STA.	

2013 03 29



FILE NAME *	USER NAME * shohdm	DESIGNED -	REVISED -
c:\pwwork\pwwork\shohdm\0341396\05xxx\shohdm-detailed.dgn		DRAWN - DMS	REVISED -
		CHECKED -	REVISED -
		DATE -	REVISED -
Default	PLOT DATE * Mar-27-2013 09:58:11AM		

**STATE OF ILLINOIS
DEPARTMENT OF TRANSPORTATION**

BUTT JOINT DETAIL

SCALE: SHEET OF SHEETS STA. TO STA.

F.A.P. RTE.	SECTION	COUNTY	TOTAL SHEETS	SHEET NO.
320	(134) I-2	LOGAN	8	8
ILLINOIS FED. AID PROJECT			CONTRACT NO. 72G13	