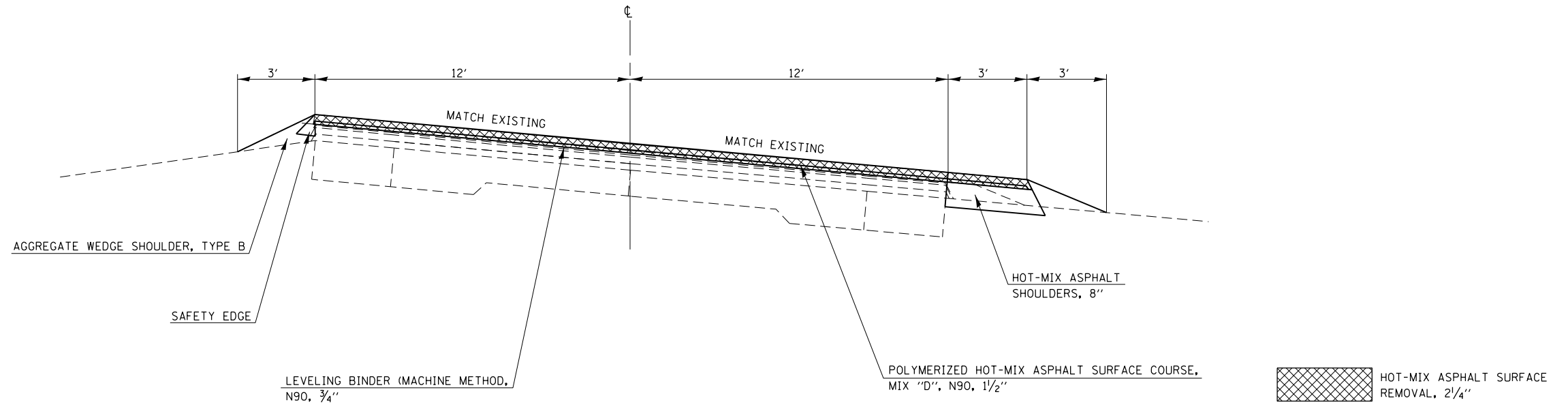


PROPOSED TYPICAL CROSS SECTION

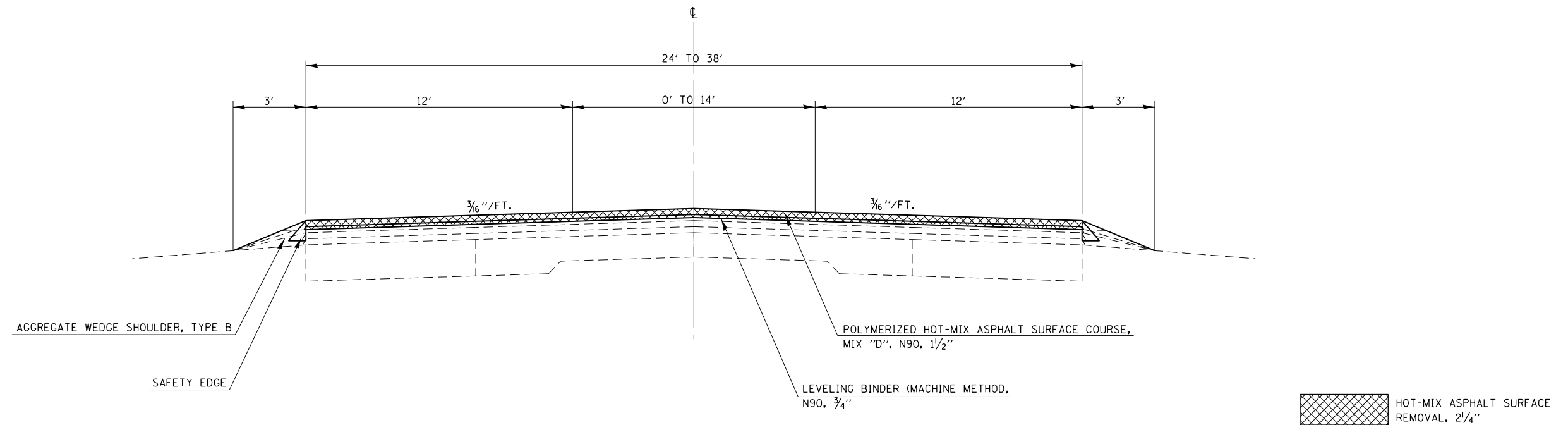
STA. 92+27.90 TO STA. 104+14.17
 STA. 104+14.17 (BK) = STA. 104+64.50 (AH)



NOTE: NOT TO SCALE

PROPOSED TYPICAL CROSS SECTION

STA. 109+49.00 TO STA. 123+52.00



NOTE: NOT TO SCALE

FILE NAME =	USER NAME = steffenmk	DESIGNED -	REVISED -	STATE OF ILLINOIS DEPARTMENT OF TRANSPORTATION	PROPOSED TYPICAL CROSS SECTION			F.A.P. RTE.	SECTION	COUNTY	TOTAL SHEETS	SHEET NO.
ci:\pw\work\p\dot\steffenmk\d0147948\074409-sh-typical1.dgn		DRAWN -	REVISED -		116	(124,125,126)RS-3	RICHLAND	60	11			
PLOT SCALE = 100.0000' / 1" =		CHECKED -	REVISED -		CONTRACT NO. 74409			ILLINOIS FED. AID PROJECT				
PLOT DATE = 3/14/2013		DATE -	REVISED -		SCALE: NA	SHEET NO. 2 OF 4 SHEETS	STA. TO STA.					