

GENERAL NOTES

Plan dimensions and details relative to existing plans are subject to nominal construction variations. The Contractor shall field verify existing dimensions and details affecting new construction and make necessary approved adjustments prior to construction or ordering materials. Such variations shall not be cause for additional compensation for a change in scope of the work, however, the Contractor will be paid for the quantity actually furnished at the unit price bid.

Reinforcement bars shall conform to the requirements of ASTM A 706 GRADE 60. See Special Provisions.

Reinforcement Bars designated (E) shall be epoxy coated.

Existing reinforcement bars extending into the removal area shall be cleaned, straightened and incorporated into the new construction. Any reinforcement bars that are damaged during concrete removal operations shall be replaced using an approved bar splicer or anchorage system. Cost included in CONCRETE REMOVAL.

Joint openings shall be adjusted according to Article 520.04 of the Standard Specifications when the deck is poured at an ambient temperature other than 50°F.

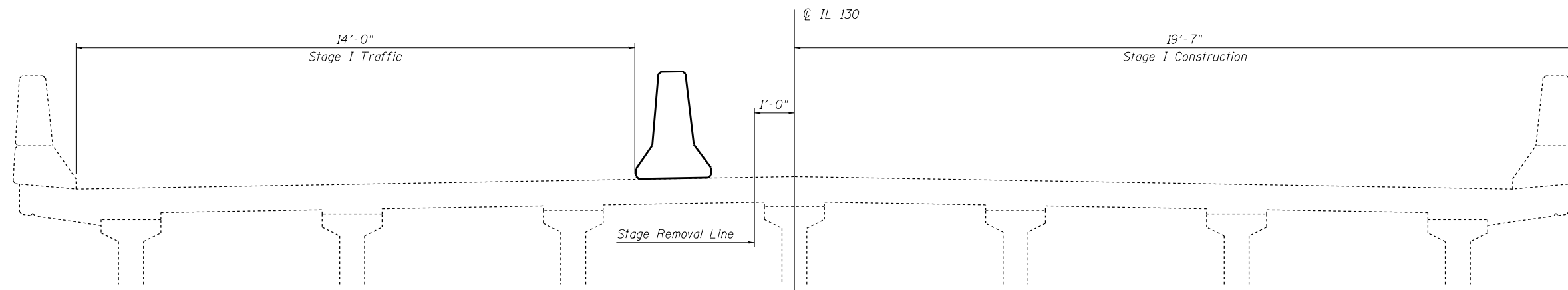
Removal and reinstallation of guardrail sections attached to the structure will be necessary for construction of the expansion joints. All existing embedded anchors that are within the concrete removal area shall be cleaned and incorporated into the new construction or new approved alternates shall be supplied and installed. This work and all materials shall be included in the contract unit price for CONCRETE SUPERSTRUCTURE.

All structural steel shall conform to AASHTO Classification M-270 Gr. 36 unless otherwise noted.

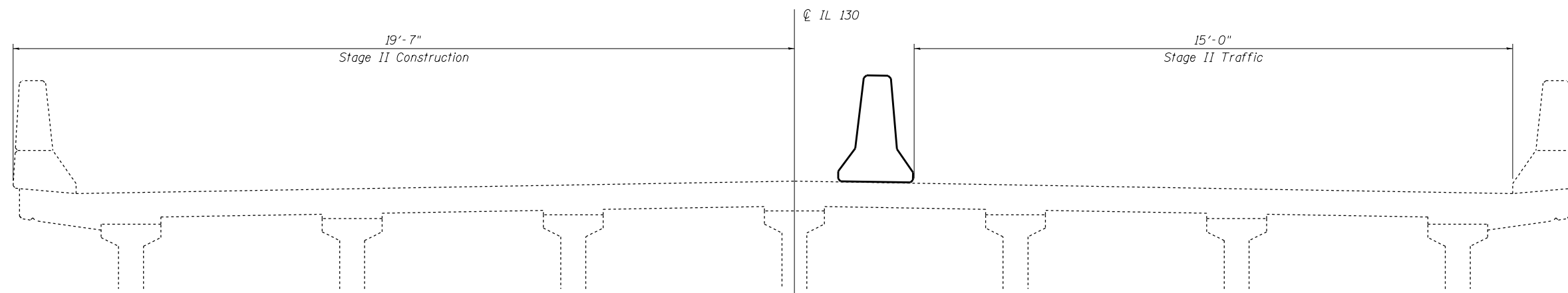
The Contractor shall use extreme care during concrete removal so as not to damage the PPC I-beams.

TOTAL BILL OF MATERIALS

ITEM	UNIT	QUANTITY
Concrete Removal	Cu. Yd.	12.4
Concrete Superstructure	Cu. Yd.	12.4
Reinforcement Bars, Epoxy Coated	Pound	2080
Bar Splicers	Each	12
Protective Coat	Sq Yd	30
Preformed Joint Strip Seal	Foot	44



STAGE I LOOKING EAST



STAGE II LOOKING EAST