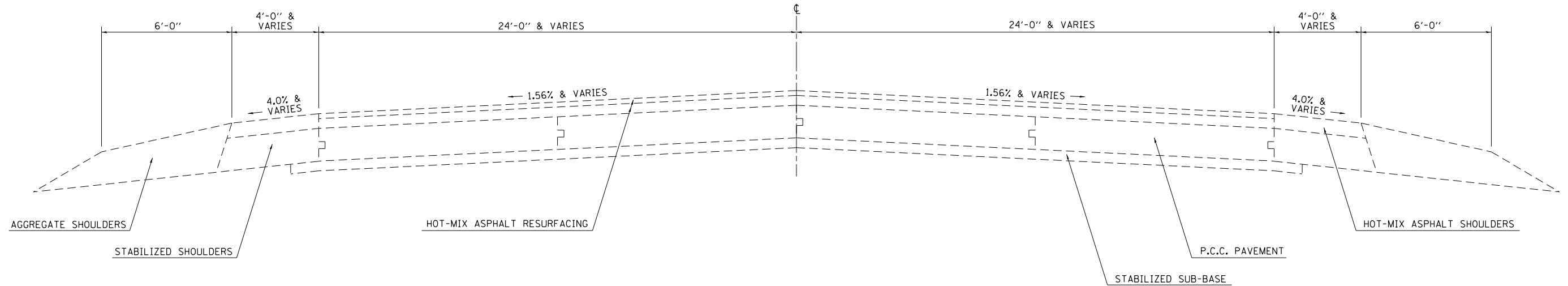


EXISTING TYPICAL CROSS SECTION

U. S. ROUTE 45

STA. 163+90.71 TO STA. 184+69.50



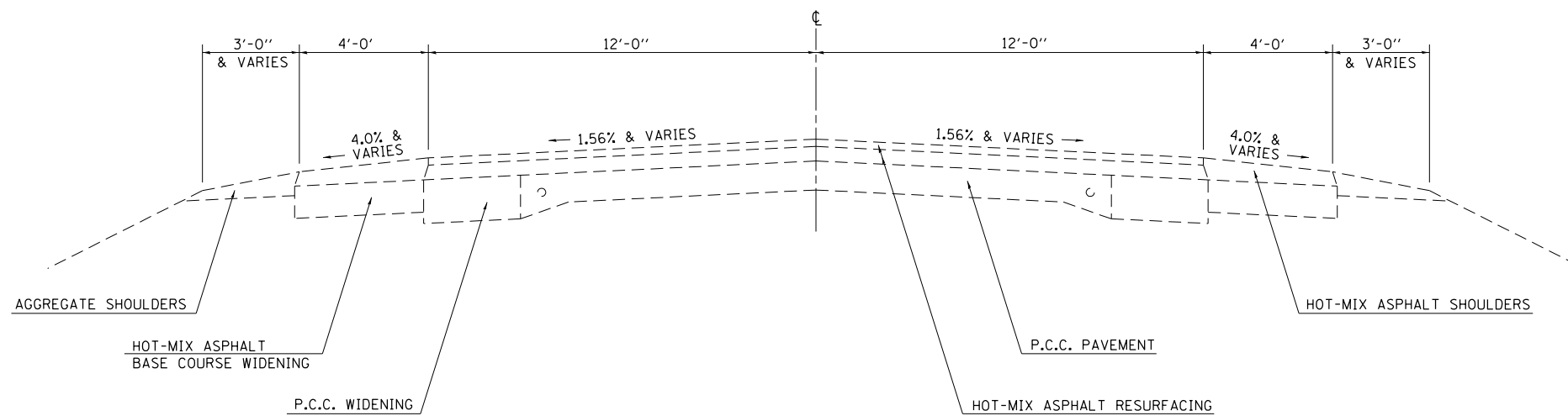
NOTE: NOT DRAWN TO SCALE

EXISTING TYPICAL CROSS SECTION

U. S. ROUTE 45

STA. 218+02.50 TO STA. 220+04.50

STA. 220+56.43 TO STA. 222+62.50



NOTE: NOT DRAWN TO SCALE

FILE NAME =	USER NAME = steffenmk	DESIGNED -	REVISED -
ci:\pwork\pwork\stevfenmk\d0249325\d74511-sh-typicals.dgn		DRAWN -	REVISED -
	PLOT SCALE = 100.0000' / in.	CHECKED -	REVISED -
	PLOT DATE = 10/2/2012	DATE -	REVISED -

**STATE OF ILLINOIS
DEPARTMENT OF TRANSPORTATION**

EXISTING TYPICAL CROSS SECTION

SCALE: NA SHEET NO. 4 OF 6 SHEETS STA. TO STA.

F.A.P. RTE.	SECTION	COUNTY	TOTAL SHEETS	SHEET NO.
824	(19,20)RS-4	COLES	56	9
CONTRACT NO. 74511			ILLINOIS FED. AID PROJECT	