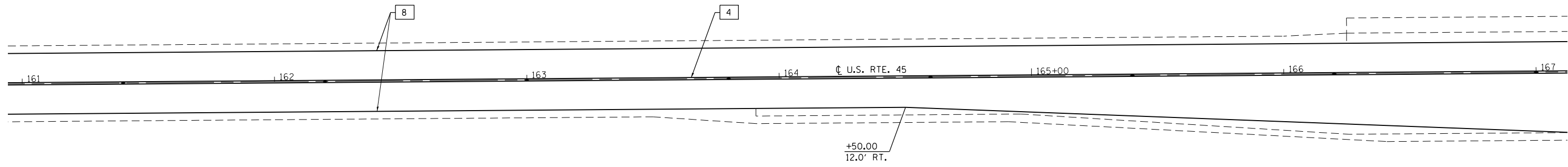


PAVEMENT MARKING LEGEND

- | | |
|-----------------------------------|--|
| 1 4" (100) SKIP-DASH (YELLOW) | 8 4" (100) SOLID (WHITE) |
| 2 4" (100) SOLID (YELLOW) | 9 12" (300) DIAGONAL (WHITE) |
| 3 12" (300) DIAGONAL (YELLOW) | 10 6" (150) SOLID (WHITE) |
| 4 4" (100) DOUBLE YELLOW (NARROW) | 11 24" (600) STOP BAR (WHITE) |
| 5 RESERVED | 12 8" (200) SOLID (WHITE) |
| 6 RESERVED | 13 6" (150) LANE LINE EXTENSIONS (WHITE) |
| 7 6" (100) SKIP-DASH (WHITE) | |

TYPICAL PAVEMENT MARKERS LEGEND

- ◆ TWO-WAY AMBER MARKER
- ▶ ONE-WAY AMBER MARKER
- ▷ ONE-WAY CRYSTAL MARKER



| | | | |
|--|-----------------------------|------------|-----------|
| FILE NAME = | USER NAME = steffenmk | DESIGNED - | REVISED - |
| et:\pw\work\p\dot\steffenmk\d0249325\d74511-sh\pavementmarking.dgn | | DRAWN - | REVISED - |
| | PLOT SCALE = 40.0000' / in. | CHECKED - | REVISED - |
| | PLOT DATE = 10/2/2012 | DATE - | REVISED - |

**STATE OF ILLINOIS
DEPARTMENT OF TRANSPORTATION**

**PAVEMENT MARKING PLAN DETAIL
AT TR 119 (1100N)**

SCALE: 20 SHEET NO. 3 OF 5 SHEETS STA. 156+00 TO STA. 167+00

| F.A.P. RTE. | SECTION | COUNTY | TOTAL SHEETS | SHEET NO. |
|---------------------------|-------------|--------|--------------|-----------|
| 824 | (19,20)RS-4 | COLES | 56 | 50 |
| CONTRACT NO. 74511 | | | | |
| ILLINOIS FED. AID PROJECT | | | | |