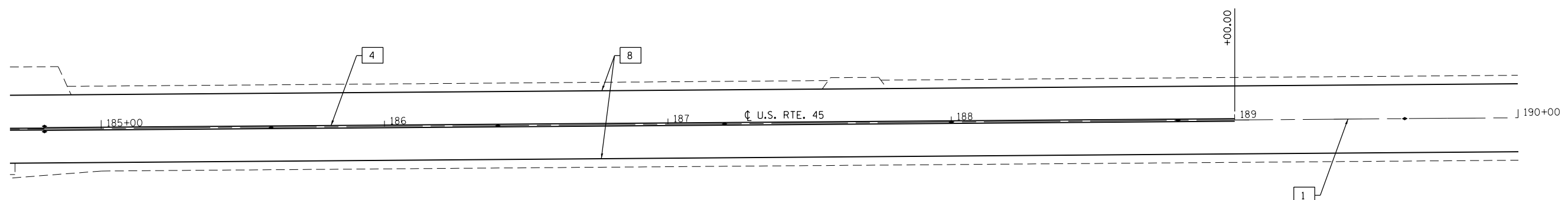


**PAVEMENT MARKING LEGEND**

- |                                   |  |
|-----------------------------------|--|
| 1 4" (100) SKIP-DASH (YELLOW)     | 8 4" (100) SOLID (WHITE)                 |
| 2 4" (100) SOLID (YELLOW)         | 9 12" (300) DIAGONAL (WHITE)             |
| 3 12" (300) DIAGONAL (YELLOW)     | 10 6" (150) SOLID (WHITE)                |
| 4 4" (100) DOUBLE YELLOW (NARROW) | 11 24" (600) STOP BAR (WHITE)            |
| 5 RESERVED                        | 12 8" (200) SOLID (WHITE)                |
| 6 RESERVED                        | 13 6" (150) LANE LINE EXTENSIONS (WHITE) |
| 7 6" (100) SKIP-DASH (WHITE)      |  |

**TYPICAL PAVEMENT MARKERS LEGEND**

- ◆ TWO-WAY AMBER MARKER
- ▶ ONE-WAY AMBER MARKER
- ▷ ONE-WAY CRYSTAL MARKER



FILE NAME =	USER NAME = steffenmk	DESIGNED -	REVISED -
ei:\pw\work\p\dot\stefjenmk\d0249325\d74511-sh\pavementmarking.dgn		DRAWN -	REVISED -
	PLOT SCALE = 40.0000' / in.	CHECKED -	REVISED -
	PLOT DATE = 10/2/2012	DATE -	REVISED -

**STATE OF ILLINOIS  
DEPARTMENT OF TRANSPORTATION**

**PAVEMENT MARKING PLAN DETAIL  
AT TR 119 (1100N)**

SCALE: 20 SHEET NO. 5 OF 5 SHEETS STA. 179+00 TO STA. 190+00

F.A.P. RTE.	SECTION	COUNTY	TOTAL SHEETS	SHEET NO.
824	(19,20)RS-4	COLES	56	52
CONTRACT NO. 74511				
ILLINOIS FED. AID PROJECT				