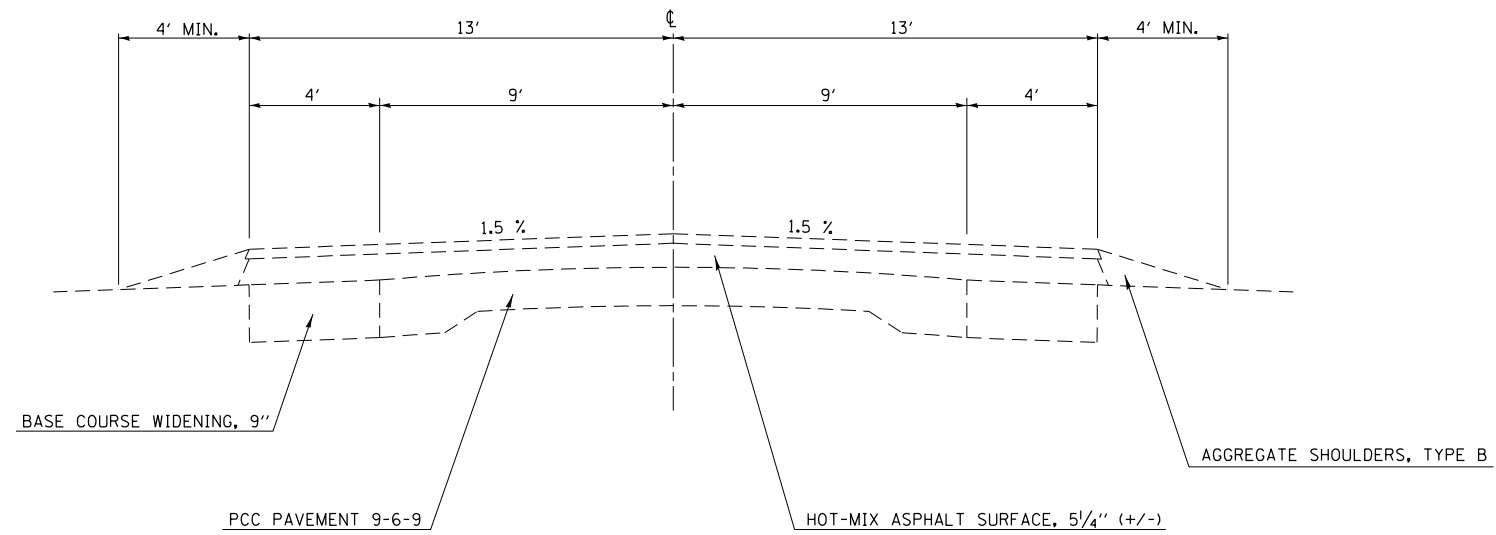


③ EXISTING TYPICAL SECTION

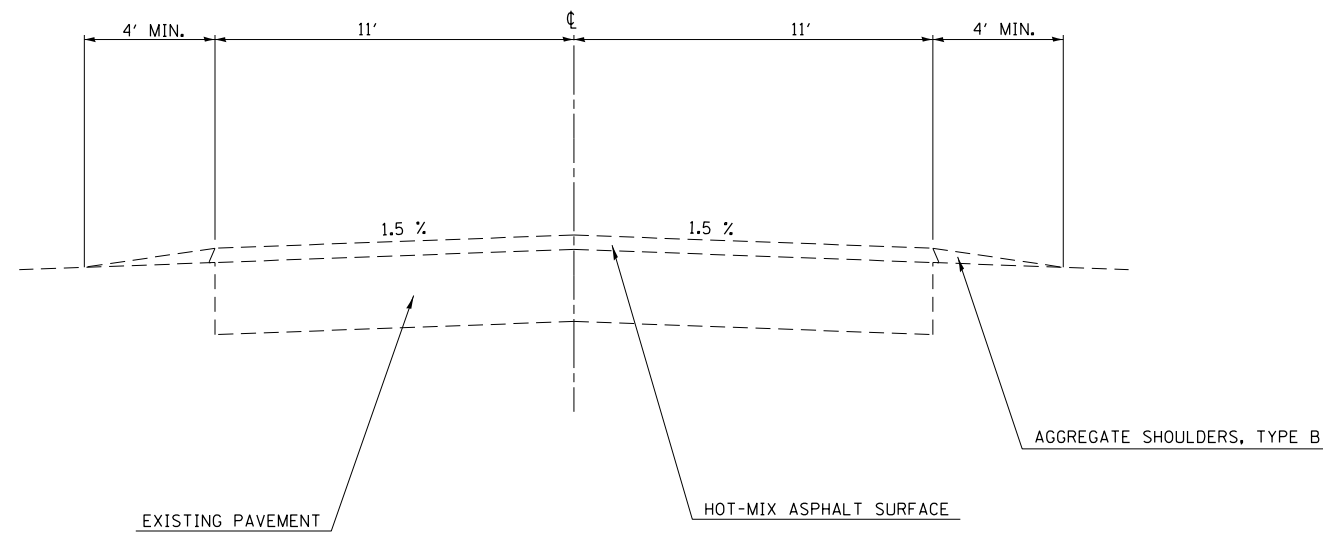
STA. 822+32.0 TO STA. 825+82.6



NOTE: NOT TO SCALE

④ EXISTING TYPICAL SECTION

WEST SALEM ROAD
STA. 1017+49.0 TO STA. 1+83.0



NOTE: NOT TO SCALE

FILE NAME =	USER NAME = steffenmk	DESIGNED -	REVISED -	STATE OF ILLINOIS DEPARTMENT OF TRANSPORTATION	EXISTING TYPICAL CROSS SECTION			F.A.P. RTE.	SECTION	COUNTY	TOTAL SHEETS	SHEET NO.
c:\pwork\pwork\stevfemk\d030911\d774567-sh-typicals.dgn		DRAWN -	REVISED -		116	126N	EDWARDS	71	9			
Default	PLOT SCALE = 100.0000' / in.	CHECKED -	REVISED -		SCALE: N/A			SHEET 2 OF 5 SHEETS STA. TO STA.			CONTRACT NO. 74567	
	PLOT DATE = 3/18/2013	DATE -	REVISED -		ILLINOIS FED. AID PROJECT							