

LEGEND

- ALUMINUM CASTING

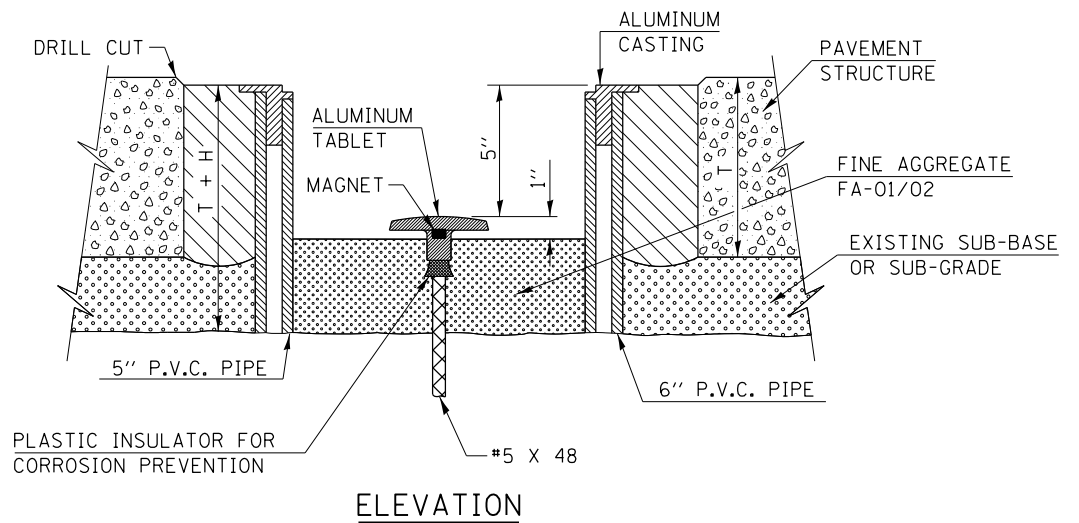
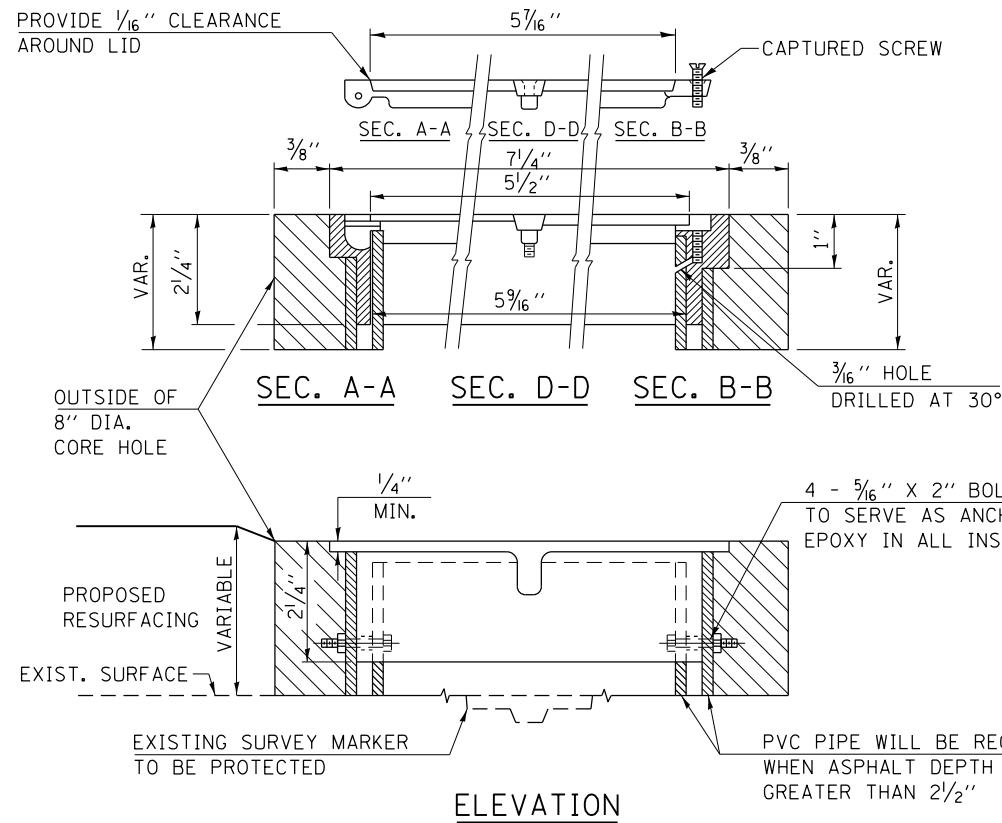
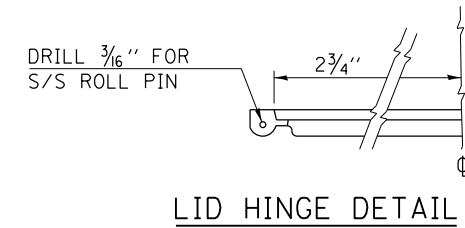
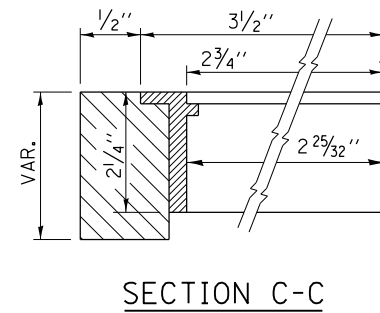
- 5" OR 6" P.V.C. PIPE

- TWO-COMPONENT EPOXY

T = THICKNESS OF PAVEMENT STRUCTURE

H = THE THICKNESS OF THE SUB-BASE GRANULAR + 1"

BILL OF MATERIAL	
ALUMINUM CASTING OF THE DIMENSIONS AND SPECIFICATIONS SHOWN OR OTHER SUBJECT TO ENGINEER'S APPROVAL OF SHOP DRAWINGS,	
4 EACH - 5/16" X 2" BOLTS WITH NUTS, EPOXY,	
5" OR 6" (DIAMETER P.V.C. PIPE, SCHEDULE 40 (WHEN REQUIRED)).	



EXISTING SURVEY MARKER

PROPOSED SURVEY MARKER

NOT TO SCALE

FILE NAME =	USER NAME = steffenmk	DESIGNED -	REVISED - MAD 6-11
ci:\pw\work\p\dot\steffenmk\d030911\d774567-sht-details.dgn		DRAWN -	REVISED -
	PLOT SCALE = 100.0000' / 1"	CHECKED -	REVISED -
	PLOT DATE = 3/18/2013	DATE -	REVISED -

STATE OF ILLINOIS
DEPARTMENT OF TRANSPORTATION

SURVEY MARKER VAULT

SCALE: N/A SHEET NO. 1 OF 1 SHEETS STA. TO STA.

DISTRICT 7 DETAIL NO. Z0070202

F.A.P. RTE.	SECTION	COUNTY	TOTAL SHEETS	SHEET NO.
116	126N	EDWARDS	71	43
CONTRACT NO. 74567				
FED. ROAD DIST. NO. ILLINOIS FED. AID PROJECT				