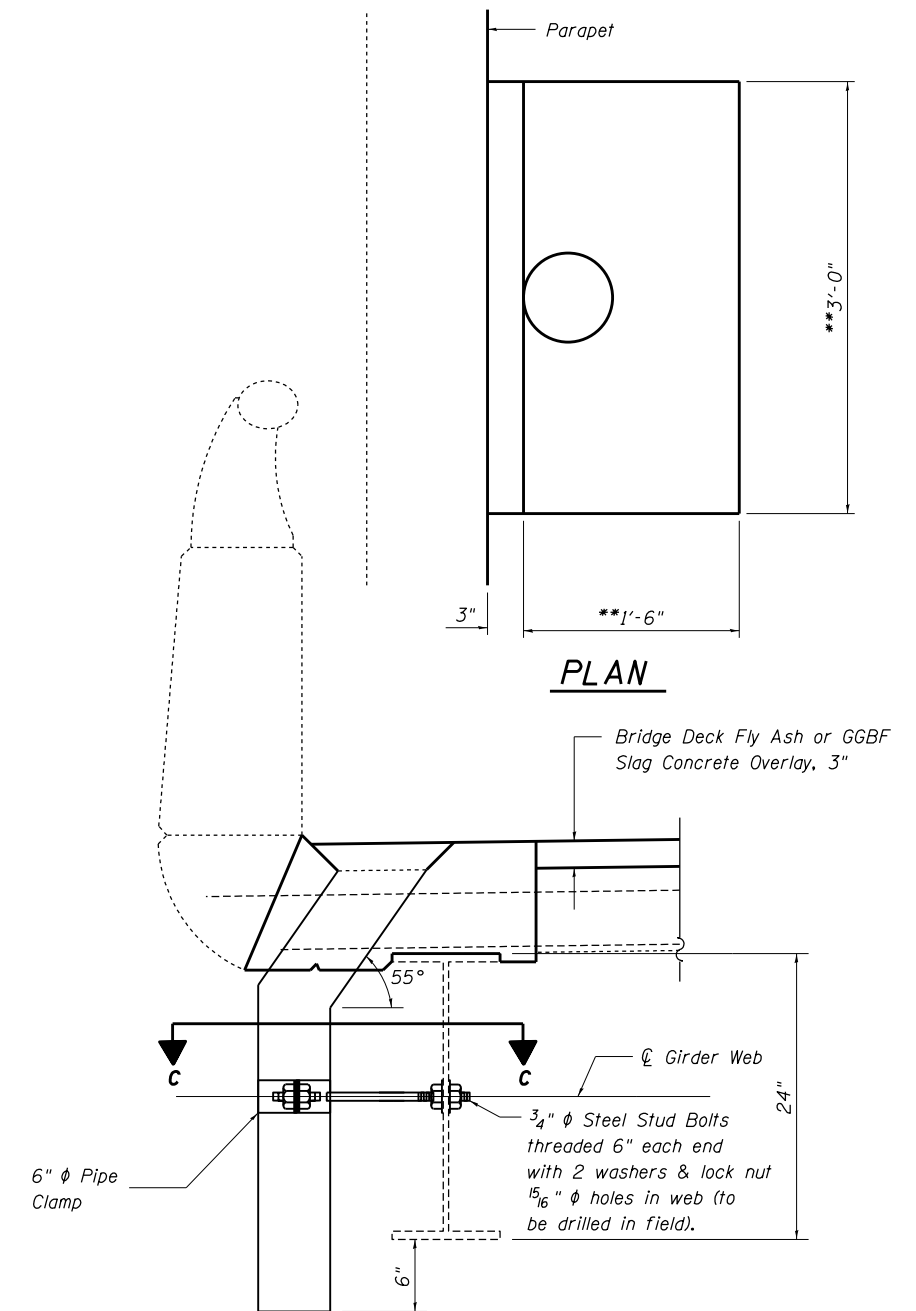


Note: Concrete removal and replacement quantities for drains are included in Deck Slab Repair as shown on "Bridge Deck Patching" plan sheets.



Note: See "Bridge Deck Patching" plan sheets for Floor Drain replacement location and Plug Existing Deck Drain locations. See "Total Bill of Materials" for each structure for quantities.

Notes: The floor drains shall be painted to match the outside of the fascia beams. The exterior surfaces of the drains shall be cleaned according to Society of Protective Coatings Specification SSPC-SP1 prior to painting. Fiberglass pipe shall conform to ASTM D 2996, with short-time rupture strength hoop tensile stress of 30,000 p.s.i. minimum. Galvanize clamping device according to AASHTO M232. Cost of clamping device and galvanizing is included with Floor Drains.

FILE NAME =	USER NAME = steffenmk	DESIGNED - KLB	REVISED -
ei:\pw\work\p\idot\stevfenmk\d0312827\074600-sht-brdetails-013000203.dgn		DRAWN - KLB	REVISED -
Default	PLOT SCALE = 40.0000' / in.	CHECKED - MEA	REVISED -
	PLOT DATE = 3/29/2013	DATE - 08/23/12	REVISED -

STATE OF ILLINOIS
DEPARTMENT OF TRANSPORTATION

FLOOR DRAIN DETAILS			
SN. 013-0002 (EB) & 013-0003 (WB)			
SCALE: N/A	SHEET 6	OF 15 SHEETS	STA. TO STA.

• D7 Bridge Repairs 2014-1			
F.A.P. RTE.	SECTION	COUNTY	TOTAL SHEETS
327	.	CLAY	49
			SHEET NO. 40
CONTRACT NO. 74600			
ILLINOIS FED. AID PROJECT			