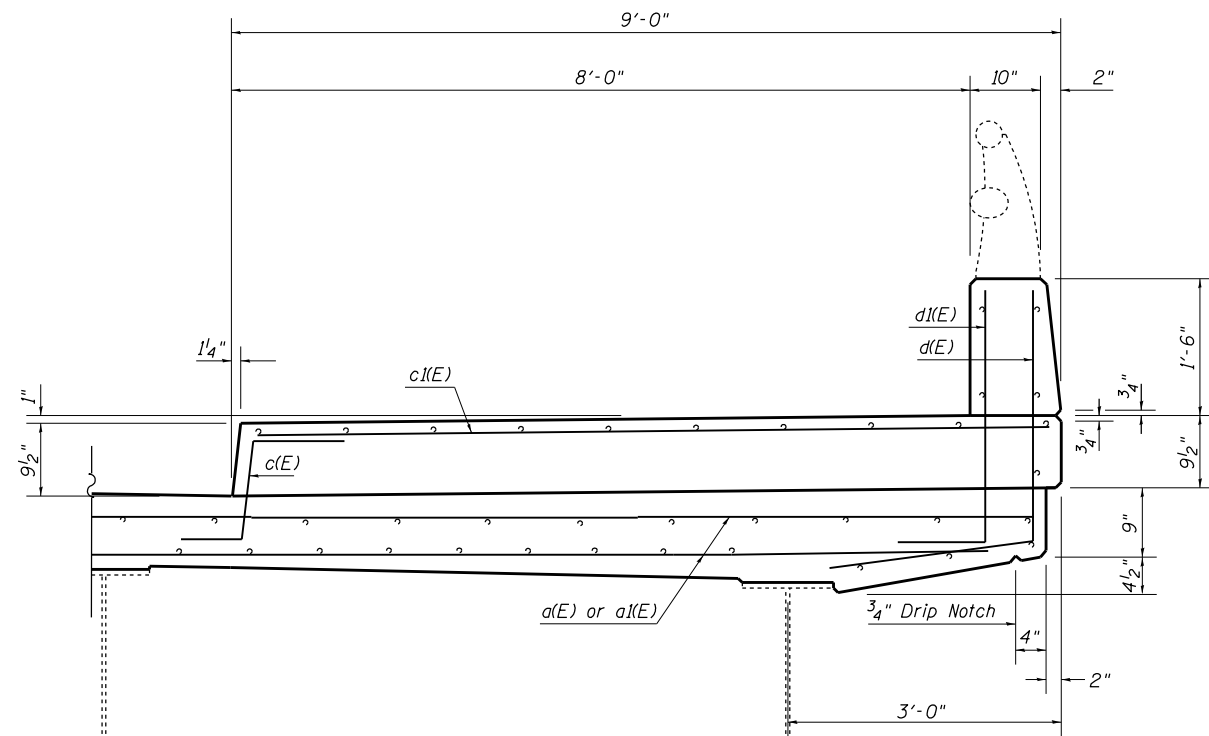
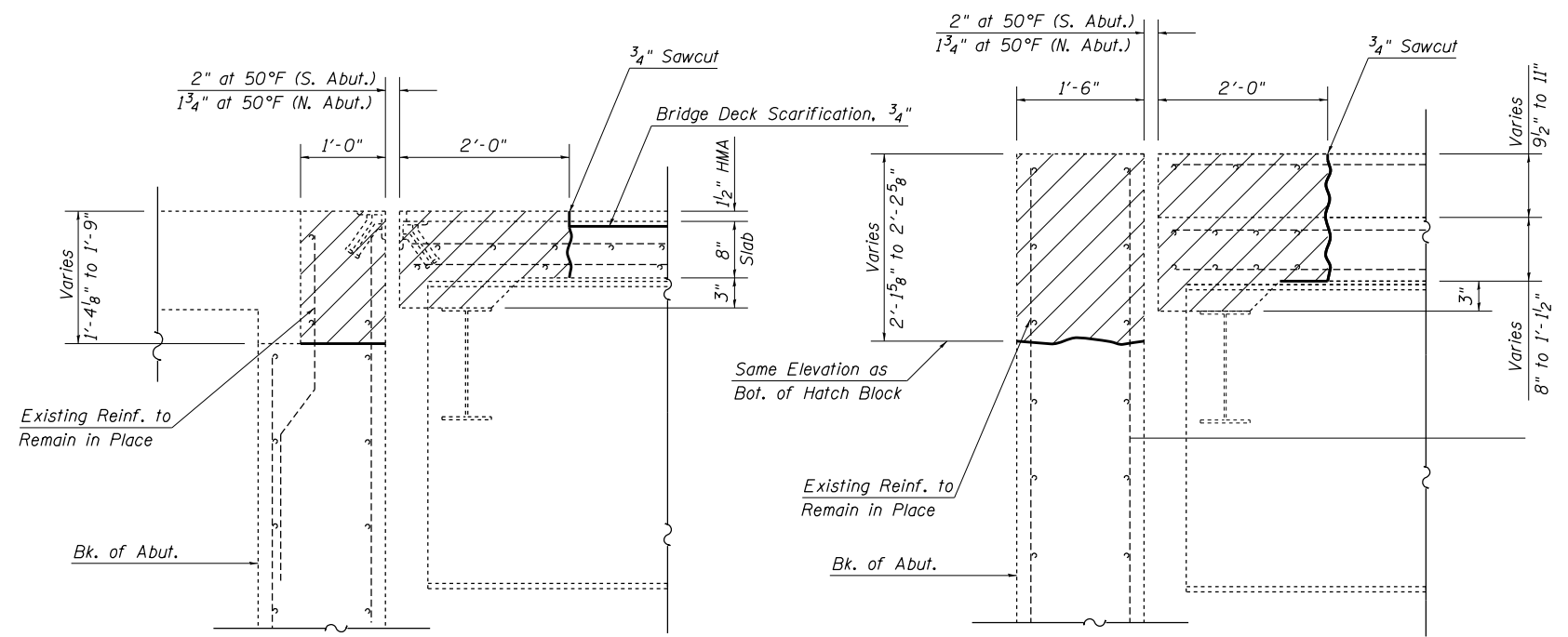


Hatching indicates removal.



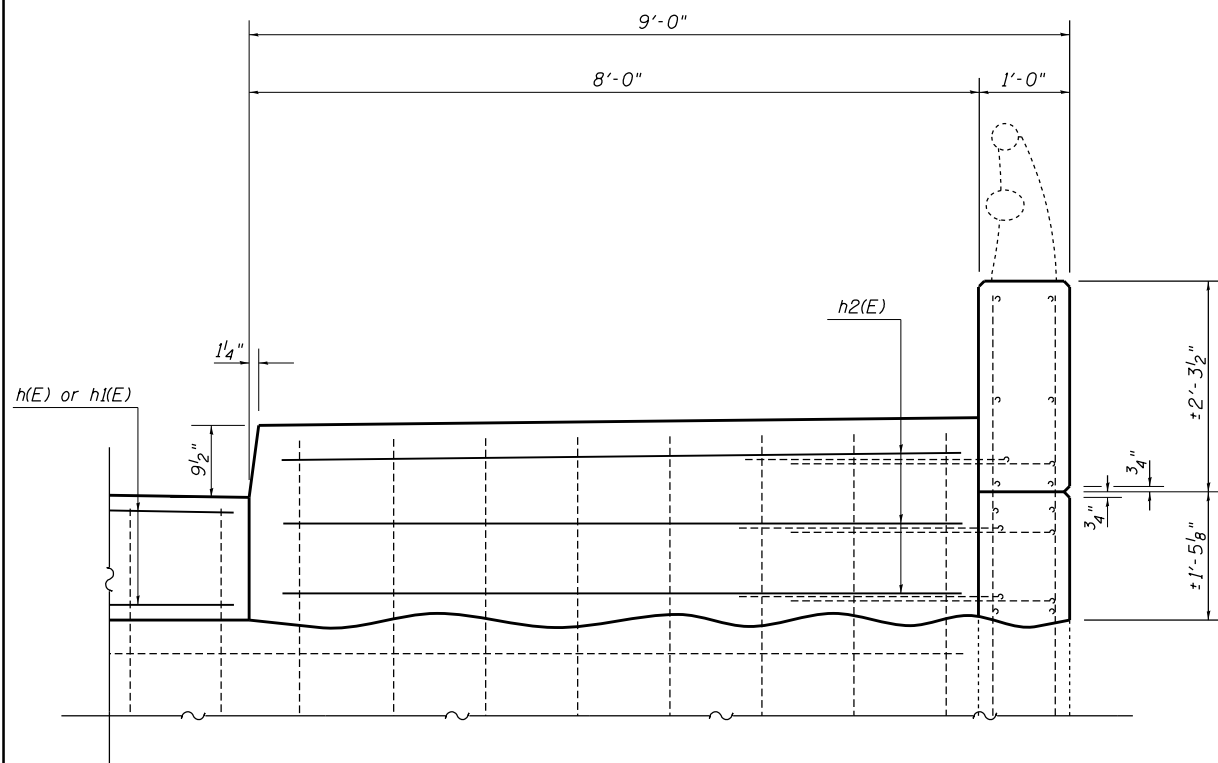
SECTION THRU DECK SIDEWALK



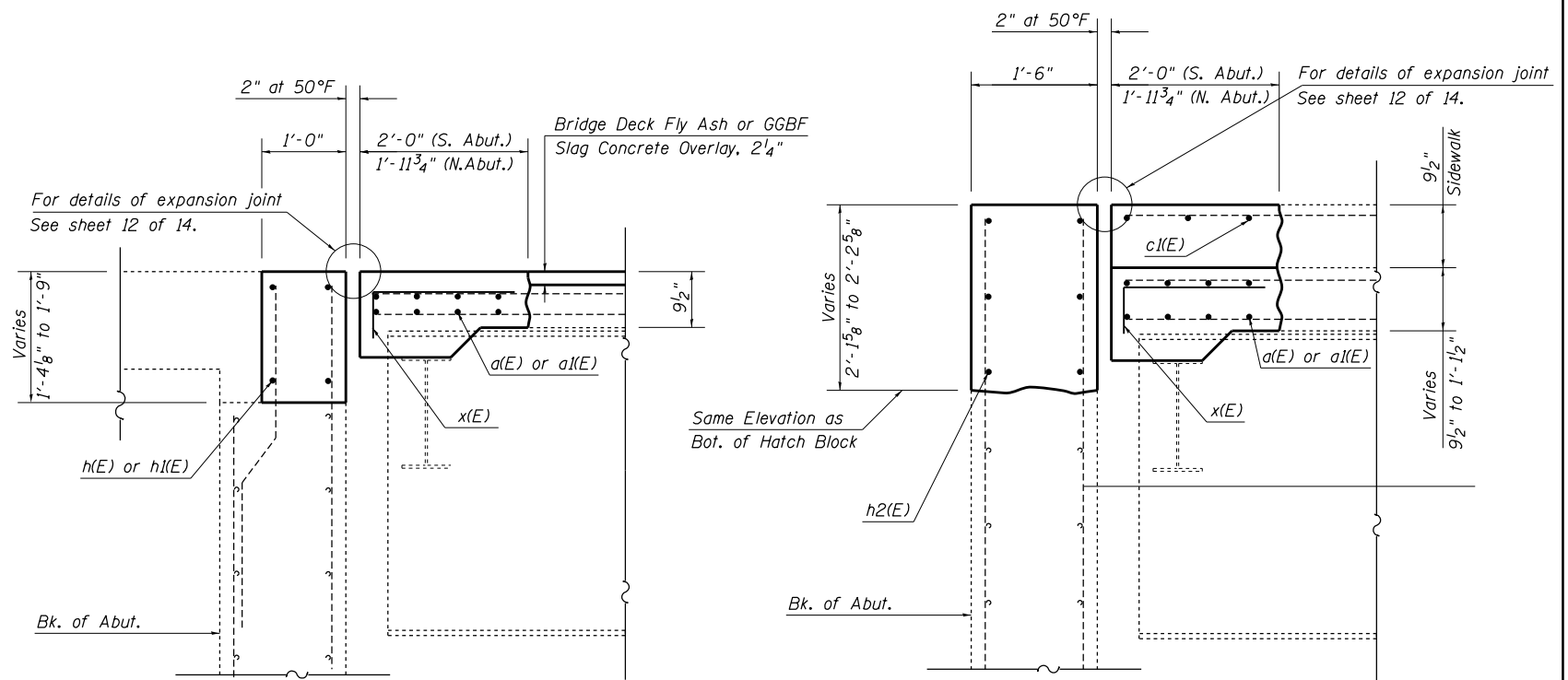
SECTION A-A

SECTION B-B

○ Existing Reinforcement
● Proposed Reinforcement



SECTION THRU APPROACH SIDEWALK



SECTION C-C

SECTION D-D

FILE NAME =	USER NAME = teasleyck	DESIGNED - DFZ	REVISED -
ei:\pw\work\p\dtd\teasleyck\d0312934\074601-sht-brdetails.dgn		DRAWN - DFZ	REVISED -
Default	PLOT SCALE = 40.0000' / in.	CHECKED - MJM	REVISED -
	PLOT DATE = 4/8/2013	DATE - 2/20/2013	REVISED -

**STATE OF ILLINOIS
DEPARTMENT OF TRANSPORTATION**

**EXPANSION JOINT REPLACEMENT DETAILS
SN. 058-0055**

SCALE: SHEET 4 OF 14 SHEETS STA. TO STA.

F.A.P. RTE.	SECTION	COUNTY	TOTAL SHEETS	SHEET NO.
320	07 Bridge Repairs 2014-2	MACON	29	19
CONTRACT NO. 74601			ILLINOIS FED. AID PROJECT	