

**LEGEND**

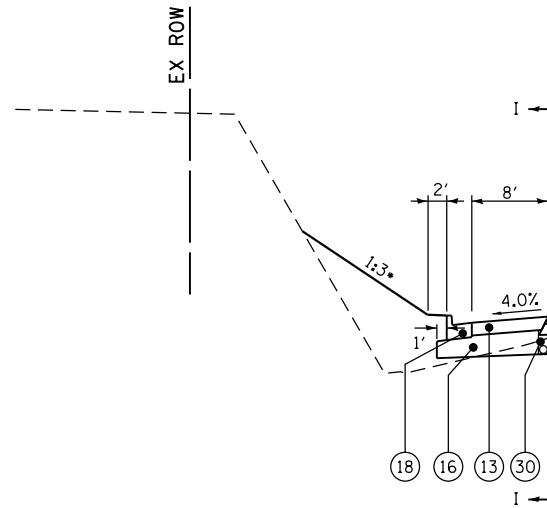
- (1) EXISTING PAVEMENT
- (2) EXISTING HMA SHOULDERS
- (3) EXISTING PIPE UNDERDRAIN
- (4) EXISTING B 6.24 BARRIER CURB
- (5) EXISTING MOUNTABLE CURB
- (6) EXISTING SUBBASE GRANULAR MATERIAL
  
- ① PROPOSED POLYMERIZED HMA SURFACE COURSE, MIX "D", N90
- ② PROPOSED POLYMERIZED HMA BINDER COURSE, IL-19.0, FG, N90
- ③ PROPOSED HMA BASE COURSE, 5 1/2"
- ④ PROPOSED HMA BASE COURSE, 6"
- ⑤ PROPOSED HMA BASE COURSE, 6 3/4"
- ⑥ PROPOSED HMA BASE COURSE, 8"
- ⑦ PROPOSED HMA BASE COURSE, 10"
- ⑧ PROPOSED PCC PAVEMENT 7"
- ⑨ PROPOSED PCC PAVEMENT 8"
- ⑩ PROPOSED PCC PAVEMENT 9" (SPECIAL)
- ⑪ PROPOSED HMA SHOULDERS (2")
- ⑫ PROPOSED HMA SHOULDERS (VARIABLE - 2" MIN.)
- ⑬ PROPOSED HMA SHOULDERS 8"
- ⑭ PROPOSED HMA SHOULDERS 10"
- ⑮ PROPOSED HMA SHOULDERS 10 1/2"
- ⑯ PROPOSED SUBBASE GRANULAR MATERIAL, TYPE A<sup>1</sup>
- ⑰ PROPOSED AGGREGATE SHOULDERS, TYPE A 6"
- ⑱ PROPOSED AGGREGATE WEDGE SHOULDER, TYPE B
- ⑲ PROPOSED HMA SURFACE COURSE, MIX "C", N50
- ⑳ PROPOSED COMBINATION CONCRETE CURB & GUTTER TYPE B-6.12
- ㉑ PROPOSED COMBINATION CONCRETE CURB & GUTTER TYPE B-6.24
- ㉒ PROPOSED COMBINATION CONCRETE CURB & GUTTER TYPE B-9.12 (SPECIAL)
- ㉓ PROPOSED COMBINATION CONCRETE CURB & GUTTER TYPE B-9.24
- ㉔ PROPOSED COMBINATION CONCRETE CURB & GUTTER TYPE M-2.12
- ㉕ PROPOSED PCC SIDEWALK, 4"
- ㉖ PROPOSED CONCRETE MEDIAN SURFACE, 4"
- ㉗ PROPOSED CONCRETE MEDIAN, TYPE SB (SPECIAL)
- ㉘ PROPOSED 6' NOISE ABATEMENT WALL
- ㉙ PROPOSED SEGMENTAL BLOCK RETAINING WALL
- ⑳ PROPOSED PIPE UNDERDRAINS 4"
- ㉑ HMA SURFACE REMOVAL, 1 1/2"
- ㉒ HMA SURFACE REMOVAL, 2"
- ㉓ PROPOSED STEEL PLATE BEAM GUARDRAIL
- ☒ TO BE REMOVED

1 - SUBBASE THICKNESS VARIES UNDER SHOULDER; SEE STD 482001

• OR AS SHOWN ON CROSS SECTIONS

•• SLOPE SHALL NOT EXCEED MAXIMUM SHOULDER ROLLOVER

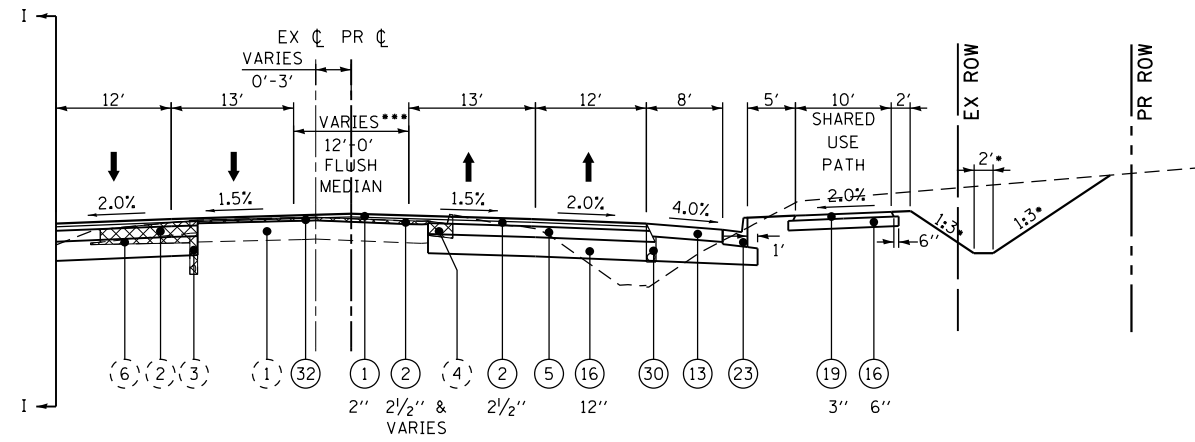
••• FROM STA 2066+46.14 TO STA 2067+92.19  
STA 2073+95.10 TO STA 2079+00.00



IL RTE 3

**LEFT SHOULDER**

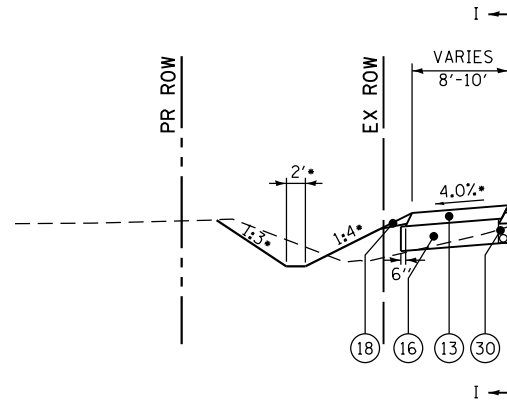
STA 2068+53.97 TO STA 2073+16.22



IL RTE 3

**TANGENT SECTION**

STA 2066+46.14 TO STA 2079+00.00



IL RTE 3

**LEFT SHOULDER**

STA 2066+46.14 TO STA 2068+53.97  
STA 2073+16.22 TO STA 2079+00.00

SHOULDER SECTIONS APPLY TO THE  
ACCOMPANYING MAINLINE SECTION STATION  
RANGES SHOWN ON THIS PAGE

LAST SAVED = 1/25/2013 3:28:22 PM  
 PEN TABLE = 1/25/2013 3:28:22 PM  
 PLOT DRIVER = pdfplotlayers.plt

FILE NAME =	USER NAME = beriechmann	DESIGNED -	REVISED -
I:\1001100\Phase II - 76817\Cad\T\Plans\004 - D876817-Sht-Typical.dgn		DRAWN -	REVISED -
PLOT SCALE = 20.0000' / in.		CHECKED -	REVISED -
PLOT DATE = 1/25/2013 3:28:22 PM		DATE -	REVISED -

**STATE OF ILLINOIS  
DEPARTMENT OF TRANSPORTATION**

**HORNER &  
SHIRIN, INC.  
ENGINEERS**

**TYPICAL SECTIONS  
IL ROUTE 3**

SCALE: NONE SHEET NO. 6 OF 20 SHEETS STA. TO STA.

F.A.P. RTE.	SECTION	COUNTY	TOTAL SHEETS	SHEET NO.
312	68-WRS-1	MONROE	760	34
CONTRACT NO. 76817			ILLINOIS FED. AID PROJECT	