

STATION 2019+30.00
 BUILT 201 BY
 STATE OF ILLINOIS
 F.A.P. 312 SEC. 68-WRS-1
 LOADING HL-93
 STRUCTURE NO. 067-2427

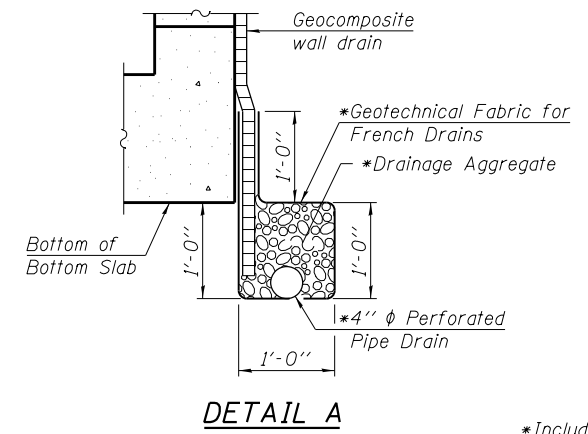
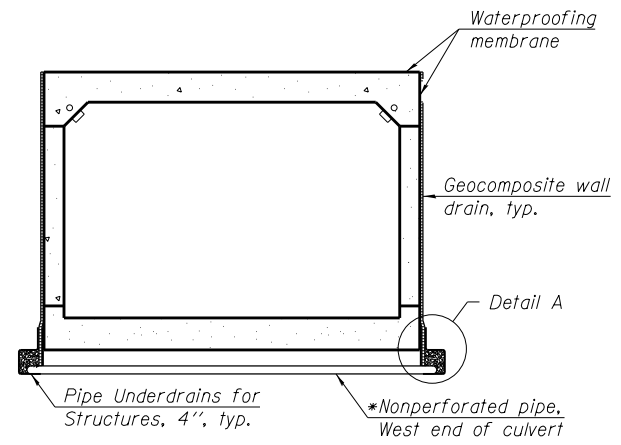
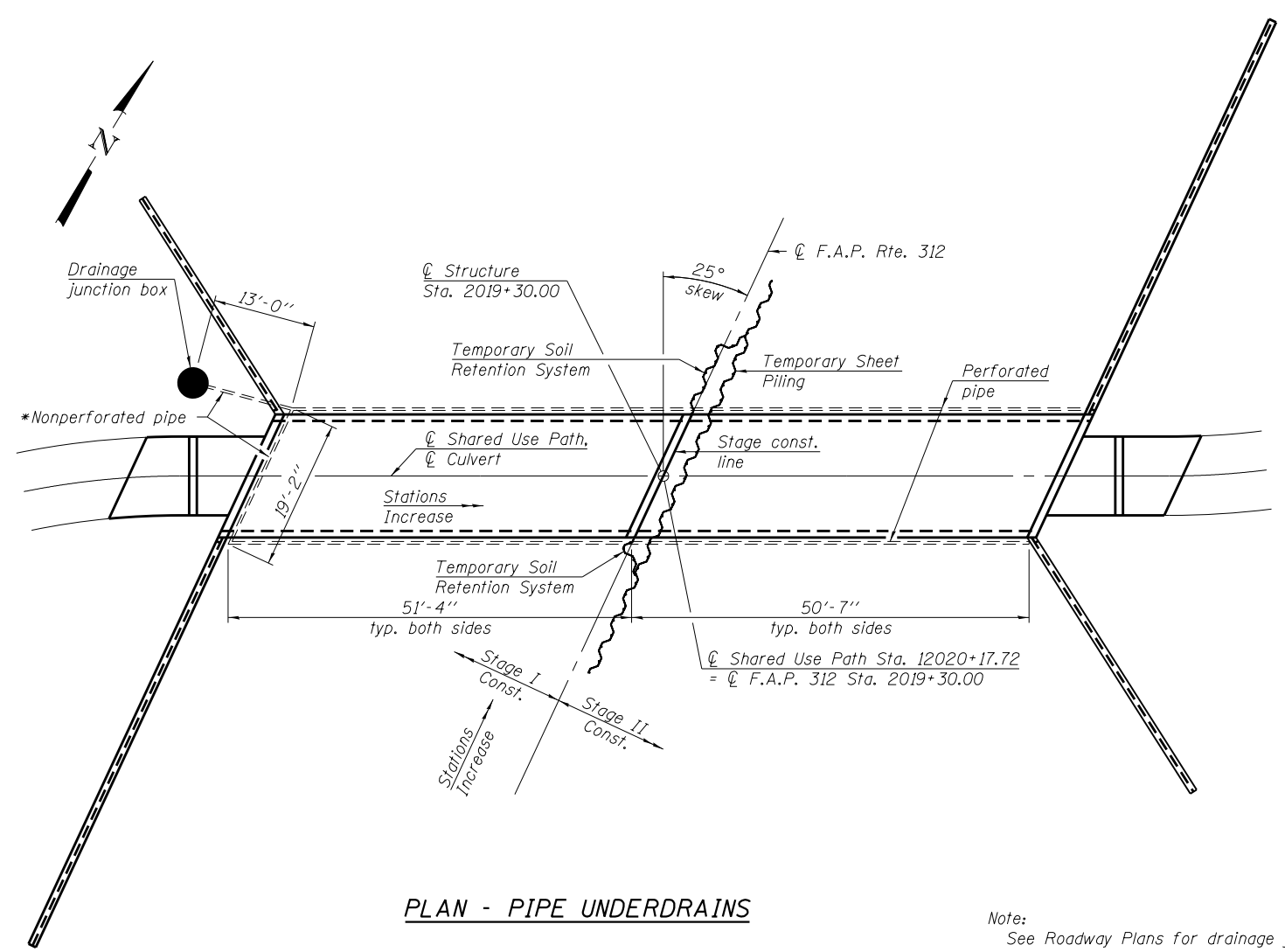
NAME PLATE
 See Std. 515001

GENERAL NOTES

Reinforcement bars designated (E) shall be epoxy coated.

TOTAL BILL OF MATERIAL

ITEM	UNIT	TOTAL
Structure Excavation	Cu. Yd.	507
Concrete Structures	Cu. Yd.	12.5
Reinforcement Bars, Epoxy Coated	Pound	39,150
Bar Splicers	Each	144
Bicycle Railing	Foot	211
Name Plates	Each	1
Concrete Box Culverts	Cu. Yd.	258.5
Membrane Waterproofing	Sq. Ft.	4,344
Geocomposite Wall Drain	Sq. Yd.	319
Temporary Sheet Piling	Sq. Ft.	1,518
Mechanically Stabilized Earth Retaining Wall	Sq. Ft.	1,661
Pipe Underdrains for Structures 4"	Foot	236
Temporary Soil Retention System	Sq. Ft.	163



Note:
 See Roadway Plans for drainage junction box location.

*Included in the cost of "Pipe Underdrains for Structures".