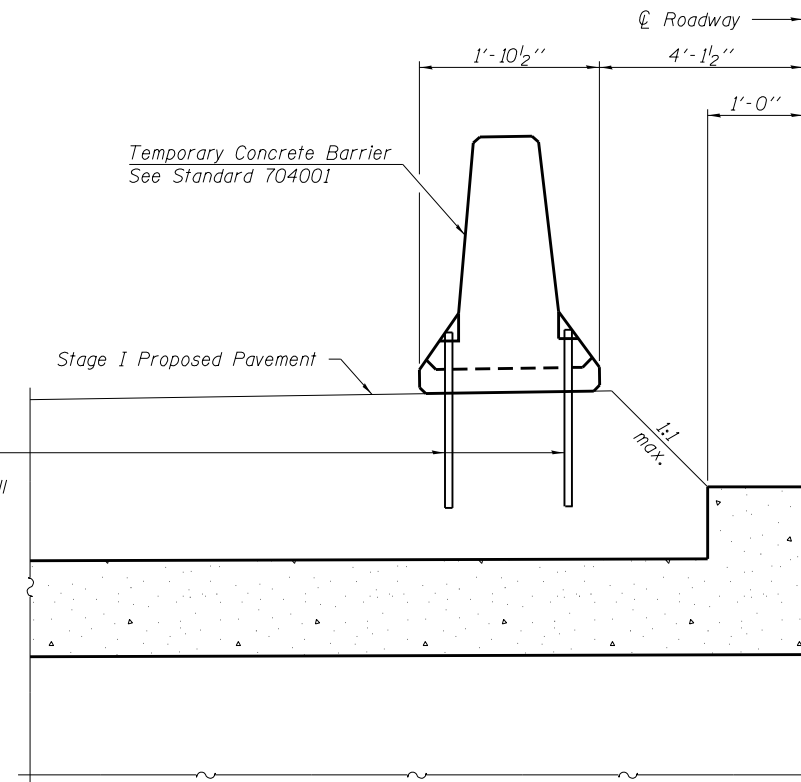
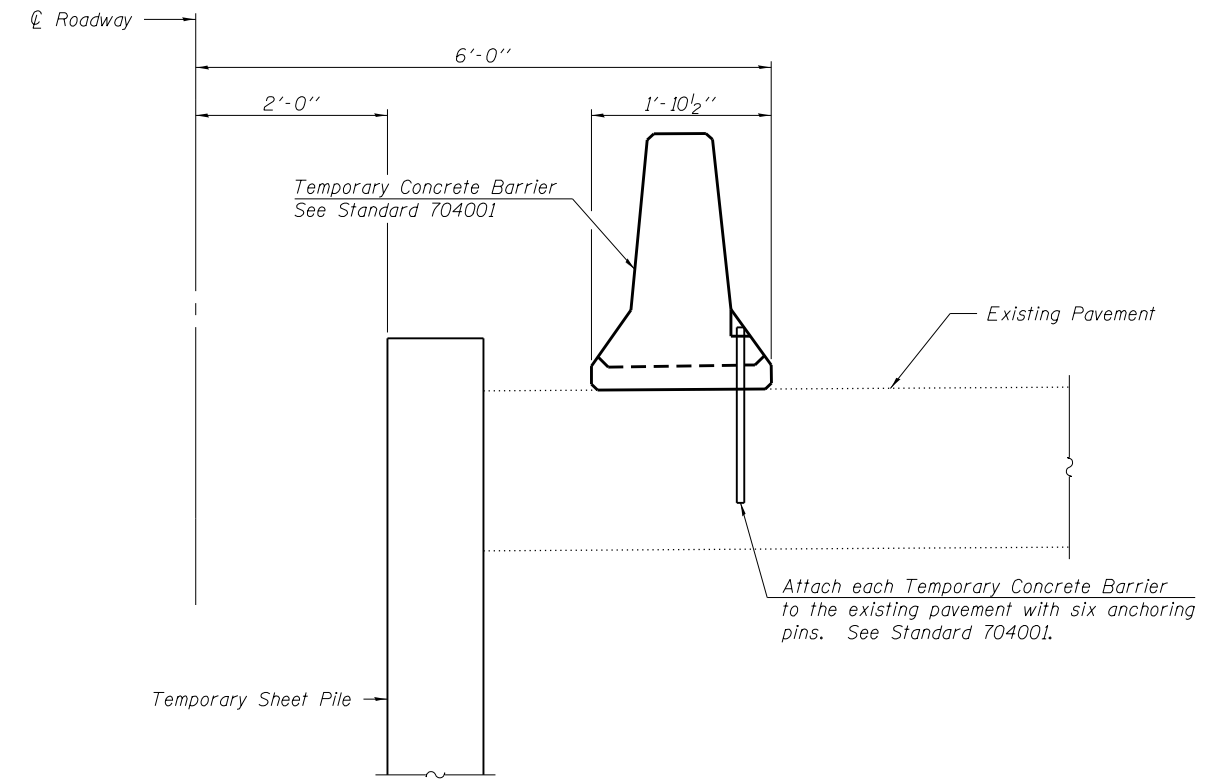


Attach each Temporary Concrete Barrier to the pavement over the top of the culvert with six anchoring pins. Remaining holes shall be repaired as directed by the Engineer. See Standard 704001.



SECTION THRU NEW CULVERT



SECTION THRU PAVEMENT

Notes:
Cost of anchoring pins and dowel bars is included with Temporary Concrete Barrier.

FILE NAME = I:\100100\Phase II - 76817\ed\SV\Plans\0672427-76817.dgn 	USER NAME = elagemann	DESIGNED - E.M. Lagemann	REVISED	STATE OF ILLINOIS DEPARTMENT OF TRANSPORTATION	TEMPORARY CONCRETE BARRIER FOR STAGE CONSTRUCTION STRUCTURE NO. 067-2427	F.A.P. RTE. = 312	SECTION = 68-WRS-1	COUNTY = MONROE	TOTAL SHEETS = 760	SHEET NO. = 418
	PLOT SCALE =	DRAWN - E.M. Lagemann	REVISED			CONTRACT NO. 76817				
PLOT DATE = 1/25/2013	CHECKED - K.L. Hayes	REVISED	SHEET NO. 5 OF 20 SHEETS							
						ILLINOIS FED. AID PROJECT				