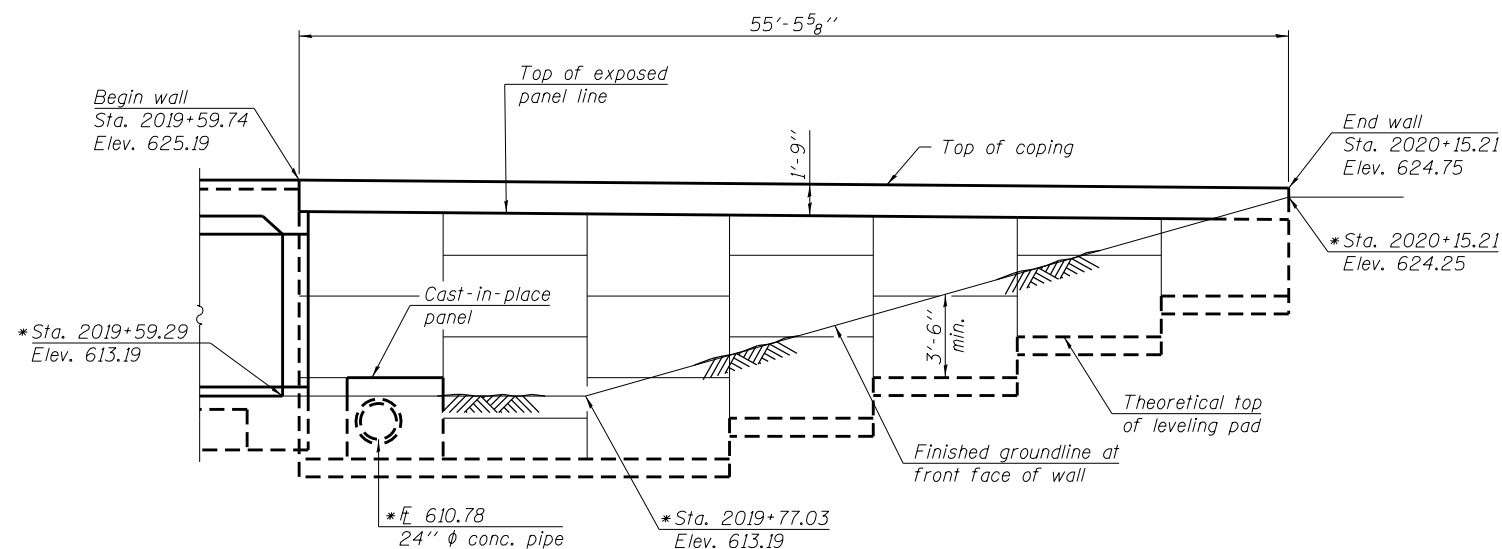
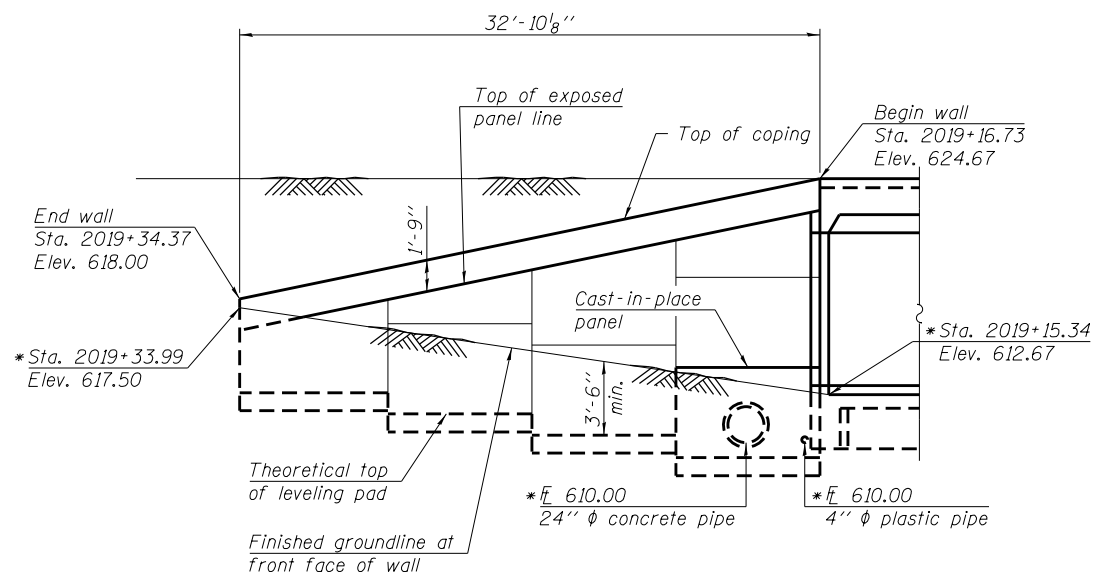


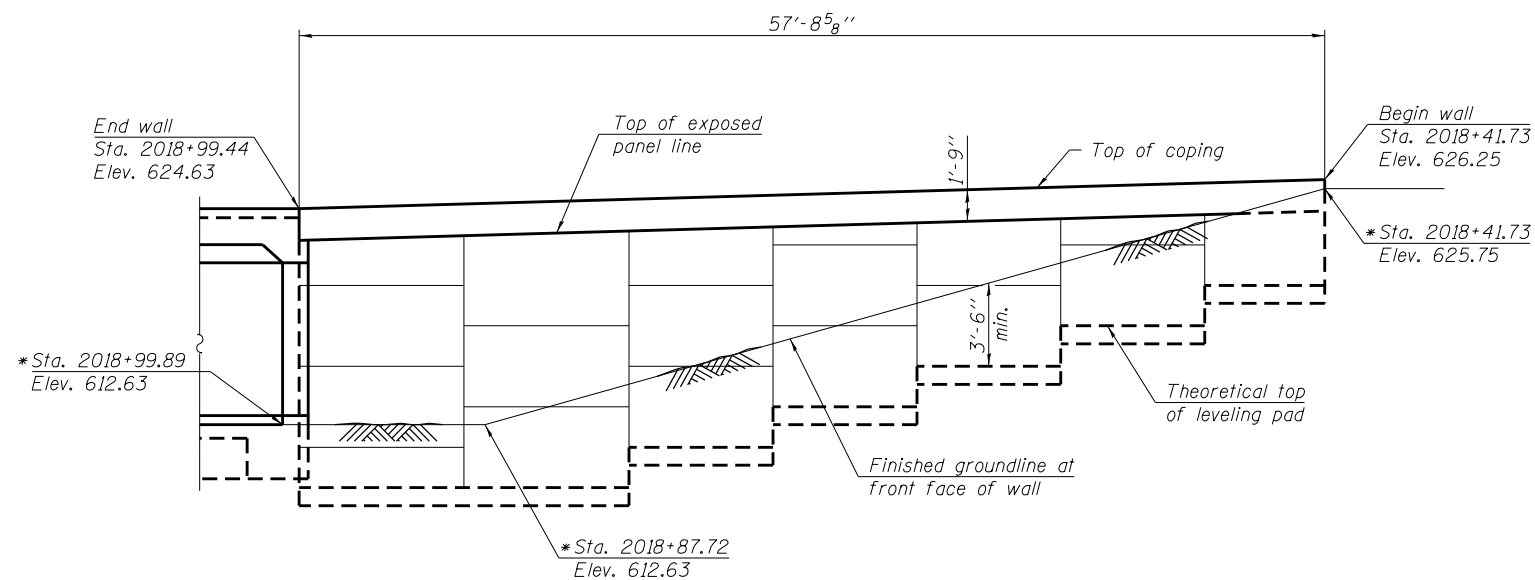
ELEVATION - SE WING



ELEVATION - NE WING



ELEVATION - NW WING



ELEVATION - SW WING

*Measured along front face of precast panels.

Notes:
 All stations, offsets, and dimensions measured along back face of precast panels, unless shown otherwise.
 Bicycle Railing not shown for clarity.
 For MSE wingwall layout showing stations and offsets, see sheet 6 of 20.
 For MSE wingwall details, see sheet 10 of 20.
 For MSE wingwall to culvert connection details, see sheet 7 of 20.
 For Bicycle Railing details, see sheet 11 of 20.

FILE NAME = I:\1001100\Phase II - 76817\ed\SV\Plans\0672427-76817.dgn 	DESIGNED - E.M. Lagemann	REVISED	STATE OF ILLINOIS DEPARTMENT OF TRANSPORTATION	MSE WINGWALL DETAILS I STRUCTURE NO. 067-2427	F.A.P. RT.E. = 312	SECTION = 68-WRS-1	COUNTY = MONROE	TOTAL SHEETS = 760	SHEET NO. = 422	
	USER NAME = elagemann	CHECKED - K.L. Hayes			REVISED	CONTRACT NO. 76817				
	PLOT SCALE =	DRAWN - E.M. Lagemann			REVISED	ILLINOIS FED. AID PROJECT				
	PLOT DATE = 1/25/2013	CHECKED - K.L. Hayes			REVISED	SHEET NO. 9 OF 20 SHEETS				