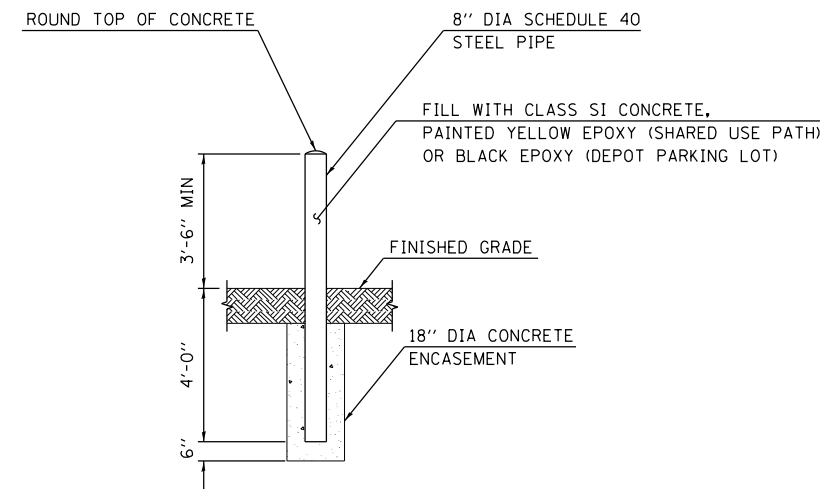
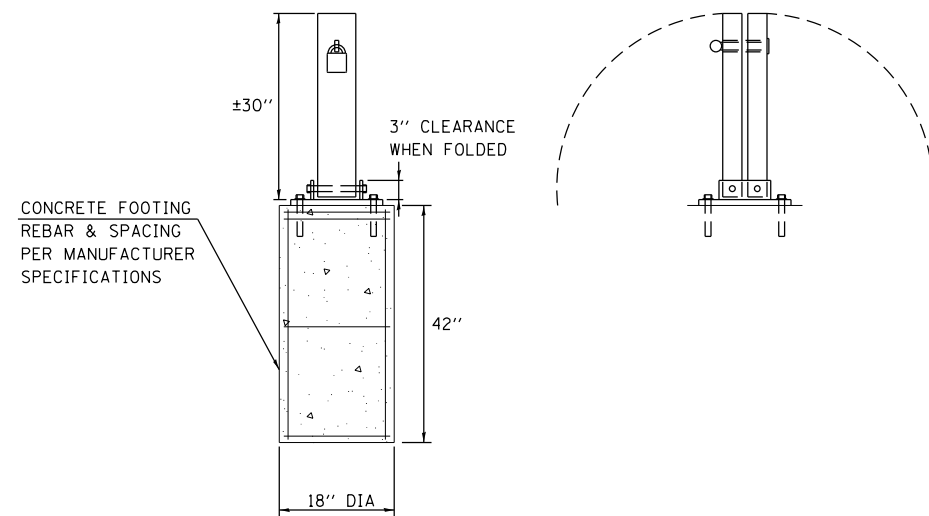


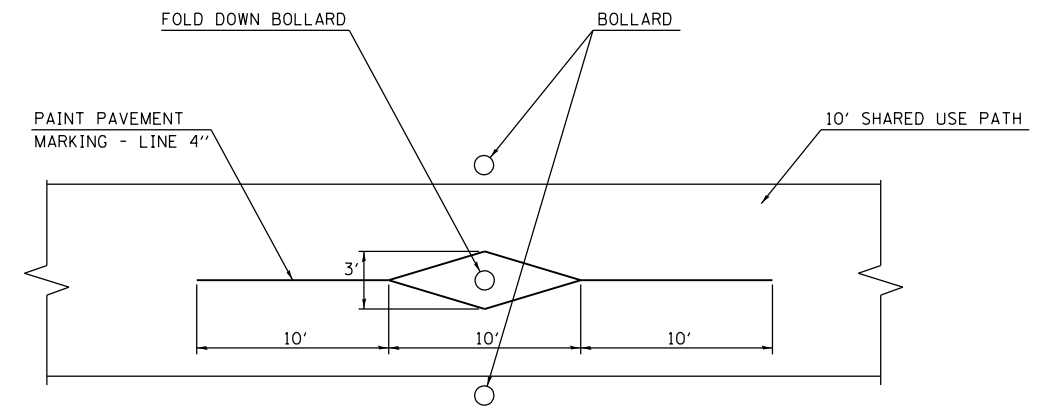
**SIGN & BOLLARD PLACEMENT**



**BOLLARD DETAIL**



**FOLD DOWN BOLLARD DETAIL**



**TYPICAL PAVEMENT MARKINGS AT BOLLARDS**

LAST SAVED = 1/25/2013  
 PEN TABLE = 1/25/2013  
 PLOT DRIVER = pdfplotlayers.plt

FILE NAME =	USER NAME = beriechmann	DESIGNED -	REVISED -
I:\1001100\Phase II - 76817\Cad\T\Plans\299_0876817-sht-details.dgn		DRAWN -	REVISED -
	PLOT SCALE = 100.0000' / 1"	CHECKED -	REVISED -
	PLOT DATE = 1/25/2013 3:34:54 PM	DATE -	REVISED -

**STATE OF ILLINOIS  
 DEPARTMENT OF TRANSPORTATION**

**HORNER &  
 SHIRIN, INC.  
 ENGINEERS**

**MISCELLANEOUS DETAILS**

BOLLARD DETAILS

SCALE: NONE

SHEET NO. 2 OF 22 SHEETS STA. TO STA.

F.A.P. RTE.	SECTION	COUNTY	TOTAL SHEETS	SHEET NO.
312	68-WRS-1	MONROE	760	466
				<b>CONTRACT NO. 76817</b>
ILLINOIS FED. AID PROJECT				