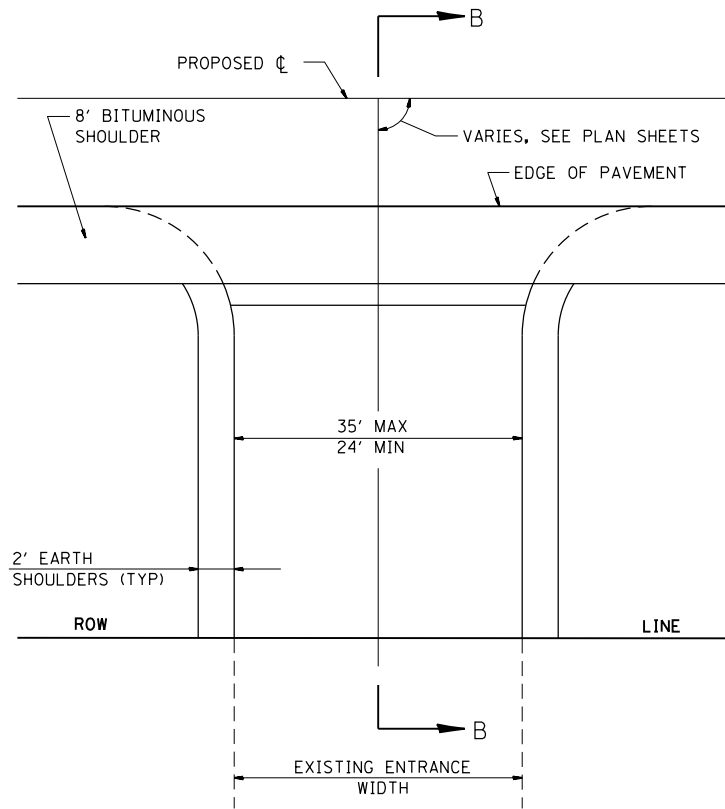
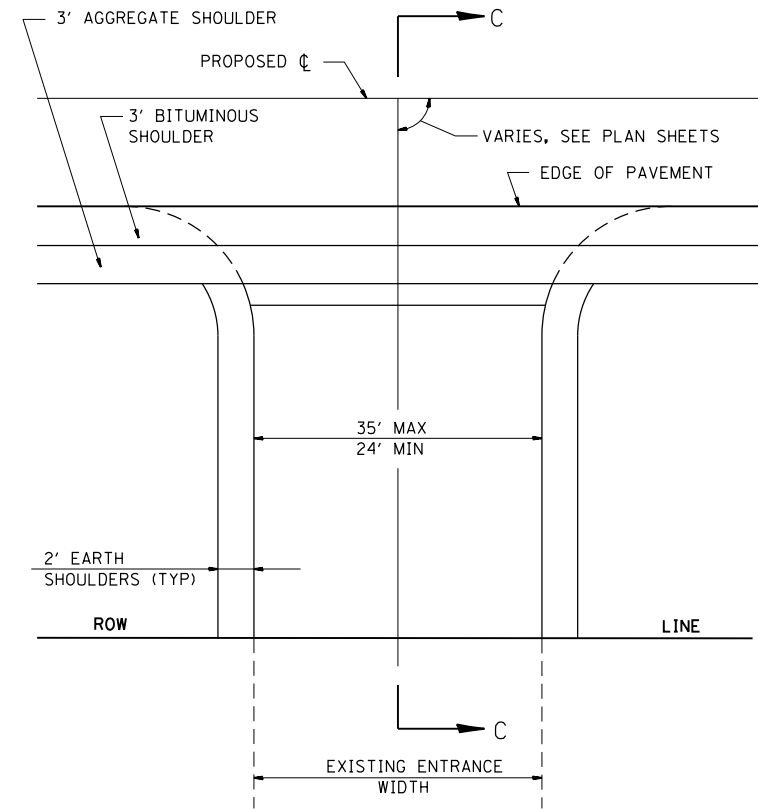


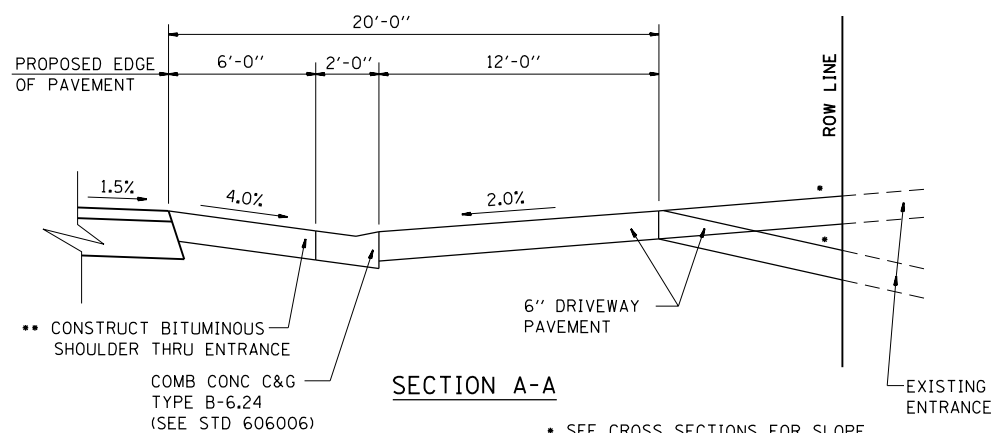
CE DETAIL A
 COMMERCIAL ENTRANCE ADJACENT TO BITUMINOUS SHOULDER AND COMBINATION CONCRETE CURB & GUTTER TYPE B-6.24



CE DETAIL B
 COMMERCIAL ENTRANCE ADJACENT TO BITUMINOUS SHOULDER

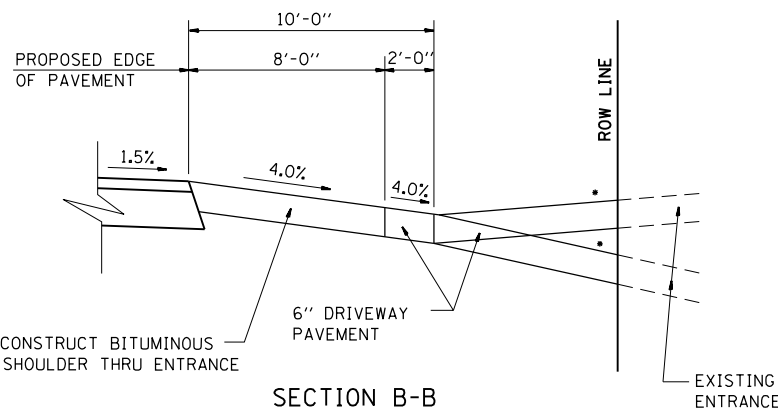


CE DETAIL C
 COMMERCIAL ENTRANCE ADJACENT TO COMBINATION BITUMINOUS AND AGGREGATE SHOULDERS



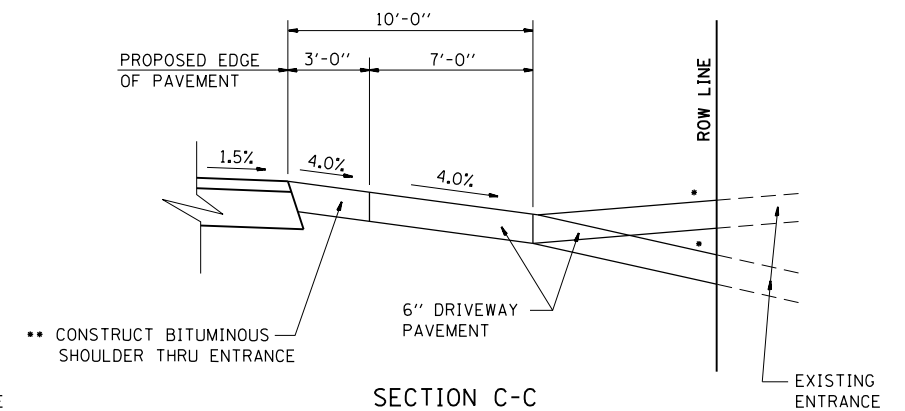
SECTION A-A

- SEE CROSS SECTIONS FOR SLOPE
- OMIT AT CONCRETE ENTRANCES
- SEE PLANS FOR EXISTING SURFACE TYPE



SECTION B-B

- SEE CROSS SECTIONS FOR SLOPE
- OMIT AT CONCRETE ENTRANCES
- SEE PLANS FOR EXISTING SURFACE TYPE



SECTION C-C

- SEE CROSS SECTIONS FOR SLOPE
- OMIT AT CONCRETE ENTRANCES
- SEE PLANS FOR EXISTING SURFACE TYPE

TYPE OF ENTRANCE	EXISTING MATERIAL	NEW ENTRANCE MATERIAL (BEYOND RADIUS RETURNS OR TAPERS)				
		PCC DRIVEWAY PAVEMENT (6")	PCC DRIVEWAY PAVEMENT (8")	INCIDENTAL BITUMINOUS CONC SURFACING (2")	AGGREGATE BASE COURSE TYPE B (6")	AGGREGATE SURFACE COURSE TYPE B (6")
PRIVATE	CONCRETE	X				
	BITUMINOUS			X	X	
	AGGREGATE					X
COMMERCIAL	CONCRETE		X			
	BITUMINOUS		X			
	AGGREGATE		X			

LAST SAVED = 1/25/2013 3:34:54 PM
 PEN TABLE = 1/25/2013 3:34:54 PM
 PLOT DRIVER = pdfplotlayers.pltcf9

FILE NAME =	USER NAME = beriechmann	DESIGNED -	REVISED -
1:\1001100\Phase II - 76817\Cad\T\Plans	299_0876817-sht-details.dgn	DRAWN -	REVISED -
	PLOT SCALE = 100.0000' / 1"	CHECKED -	REVISED -
	PLOT DATE = 1/25/2013 3:34:54 PM	DATE -	REVISED -

**STATE OF ILLINOIS
 DEPARTMENT OF TRANSPORTATION**

**HORNER &
 SHIRIN, INC.
 ENGINEERS**

**MISCELLANEOUS DETAILS
 ENTRANCE DETAILS**

SCALE: NONE SHEET NO. 3 OF 22 SHEETS STA. TO STA.

F.A.P. RTE.	SECTION	COUNTY	TOTAL SHEETS	SHEET NO.
312	68-WRS-1	MONROE	760	467
CONTRACT NO. 76817				
ILLINOIS FED. AID PROJECT				