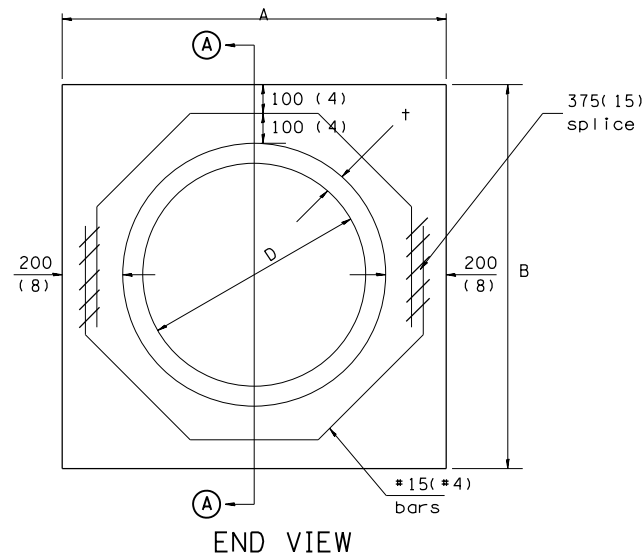
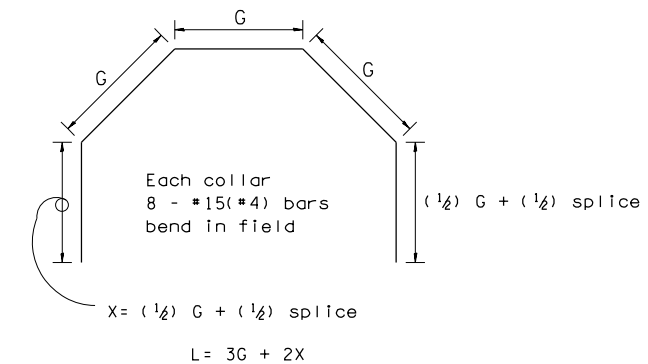


SECTION A - A



END VIEW



Each Collar								
Reinforcement Bars								
D	t	A	B	CL. SI CONC.	G	X	L	Weight
m (in)	m (in)	m (ft)	m (ft)	m ³ (cu. yd)	m (in)	m (in)	m (ft)	kg (lb)
300 (12)	51 (2.00)	0.814 (2.67)	0.814 (2.67)	0.270 (0.4)	253 (9 15/16)	317 (12 7/16)	1.393 (4.57)	11 (24)
375 (15)	57 (2.25)	0.902 (2.96)	0.902 (2.96)	0.315 (0.4)	290 (11 3/8)	335 (13 3/16)	1.541 (5.05)	12 (27)
450 (18)	64 (2.50)	0.991 (3.25)	0.991 (3.25)	0.362 (0.5)	327 (12 13/16)	354 (13 7/8)	1.689 (5.54)	14 (30)
525 (21)	70 (2.75)	1.079 (3.54)	1.079 (3.54)	0.411 (0.5)	364 (14 1/4)	372 (14 5/8)	1.836 (6.02)	15 (32)
600 (24)	76 (3.00)	1.167 (3.83)	1.167 (3.84)	0.460 (0.6)	401 (15 11/16)	391 (15 5/16)	1.984 (6.51)	16 (35)
675 (27)	83 (3.25)	1.259 (4.13)	1.259 (4.13)	0.516 (0.7)	438 (17 1/4)	409 (16 1/16)	2.131 (6.99)	17 (37)
750 (30)	89 (3.50)	1.347 (4.42)	1.347 (4.42)	0.570 (0.7)	475 (18 11/16)	428 (16 3/4)	2.279 (7.48)	18 (40)
825 (33)	95 (3.75)	1.436 (4.71)	1.436 (4.71)	0.624 (0.8)	512 (20 1/8)	446 (17 1/2)	2.426 (7.96)	19 (43)
900 (36)	102 (4.00)	1.524 (5.00)	1.524 (5.00)	0.682 (0.9)	549 (21 9/16)	465 (18 3/16)	2.574 (8.44)	20 (45)
1050 (42)	114 (4.50)	1.701 (5.58)	1.701 (5.58)	0.800 (1.0)	622 (24 7/16)	501 (19 3/4)	2.869 (9.41)	23 (50)
1200 (48)	127 (5.00)	1.881 (6.17)	1.881 (6.17)	0.930 (1.2)	696 (27 5/16)	538 (21 3/16)	3.164 (10.38)	25 (55)

GENERAL NOTES

1. THE COLLAR SHALL BE CONSTRUCTED ENTIRELY OF CLASS SI CONCRETE IN ACCORDANCE WITH THE APPLICABLE PORTIONS OF SECTION 503 OF THE STANDARD SPECIFICATIONS. REINFORCEMENT BARS SHALL CONFORM TO SECTION 508.

LAST SAVED = 1/25/2013 3:34:57 PM
 PEN TABLE = 1/25/2013 3:34:57 PM
 PLOT DRIVER = pdfplotlayers.plt

FILE NAME =	USER NAME = beriechmann	DESIGNED -	REVISED -
I:\1001100\Phase II - 76817\Cad\T\Plans\299_0876817-sht-details.dgn		DRAWN -	REVISED -
		CHECKED -	REVISED -
		DATE -	REVISED -

STATE OF ILLINOIS
 DEPARTMENT OF TRANSPORTATION

HORNER &
 SHIRIN, INC.
 ENGINEERS

MISCELLANEOUS DETAILS
 CONCRETE COLLAR DETAILS

SCALE: NONE SHEET NO. 8 OF 22 SHEETS STA. TO STA.

F.A.P. RTE.	SECTION	COUNTY	TOTAL SHEETS	SHEET NO.
312	68-WRS-1	MONROE	760	472
CONTRACT NO. 76817				
ILLINOIS FED. AID PROJECT				