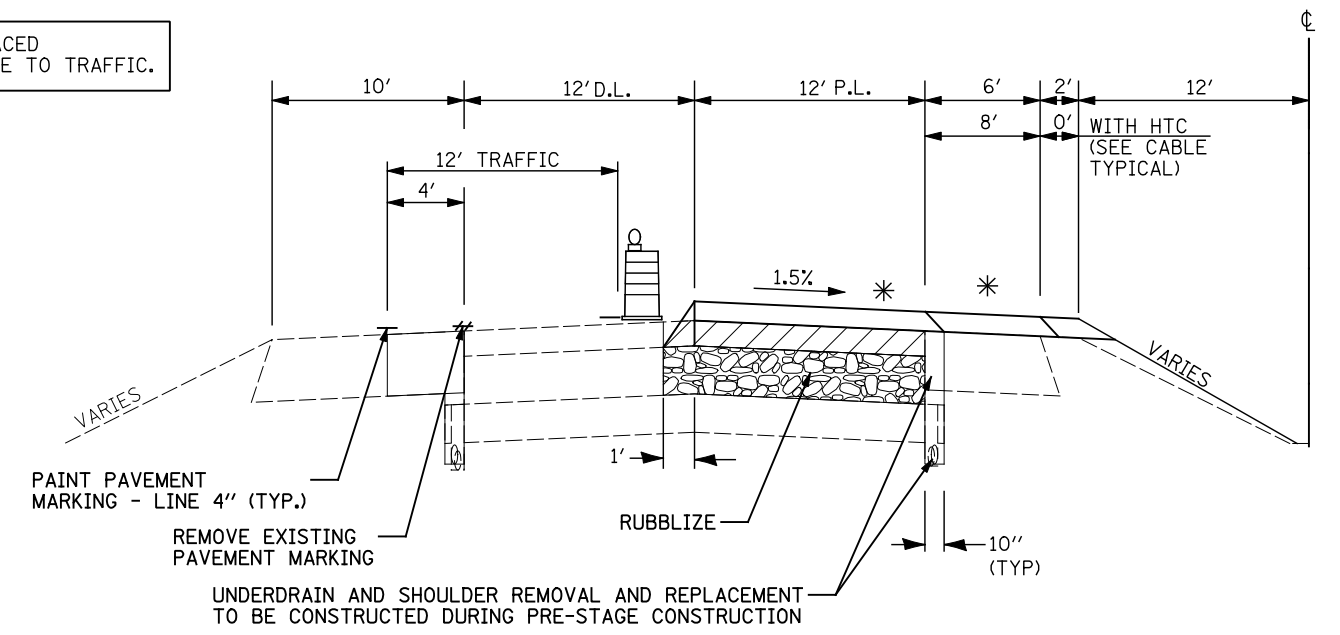


**S.B. F.A.I. ROUTE 55 STAGE I TYPICAL SECTION**

STA. 519+00.00 TO STA. 670+00.00  
(LOOKING SOUTH)



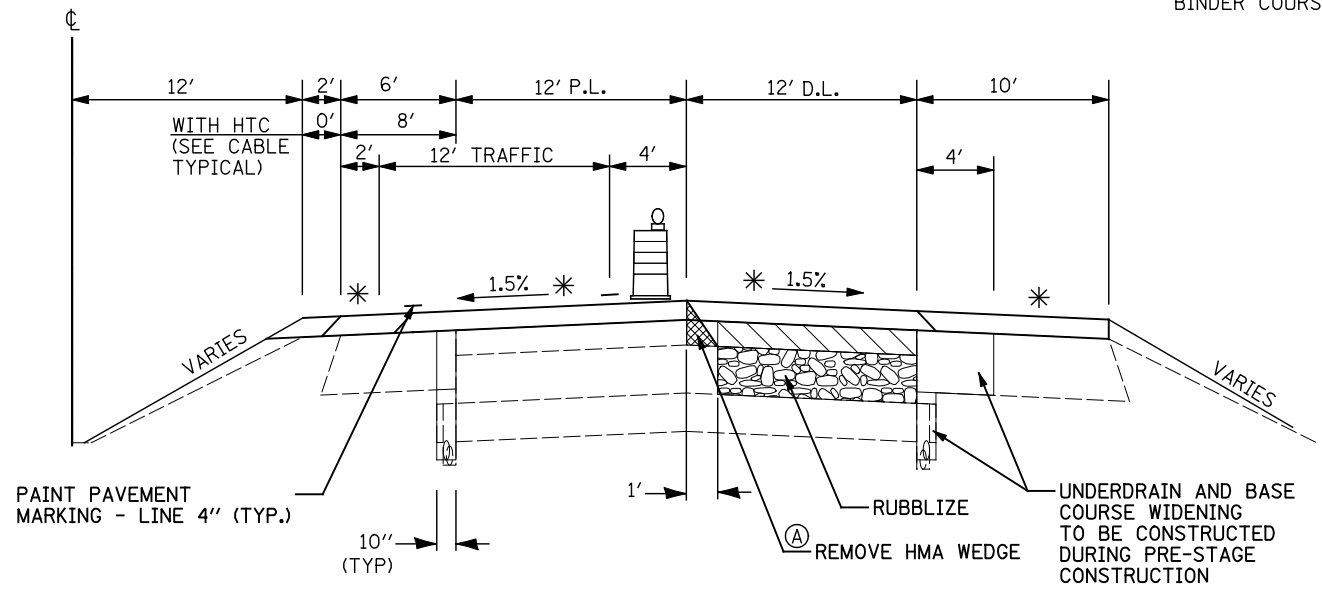
**N.B. F.A.I. ROUTE 55 STAGE III TYPICAL SECTION**

STA. 519+00.00 TO STA. 670+00.00  
(LOOKING SOUTH)

EXISTING HMA TO BE REMOVED

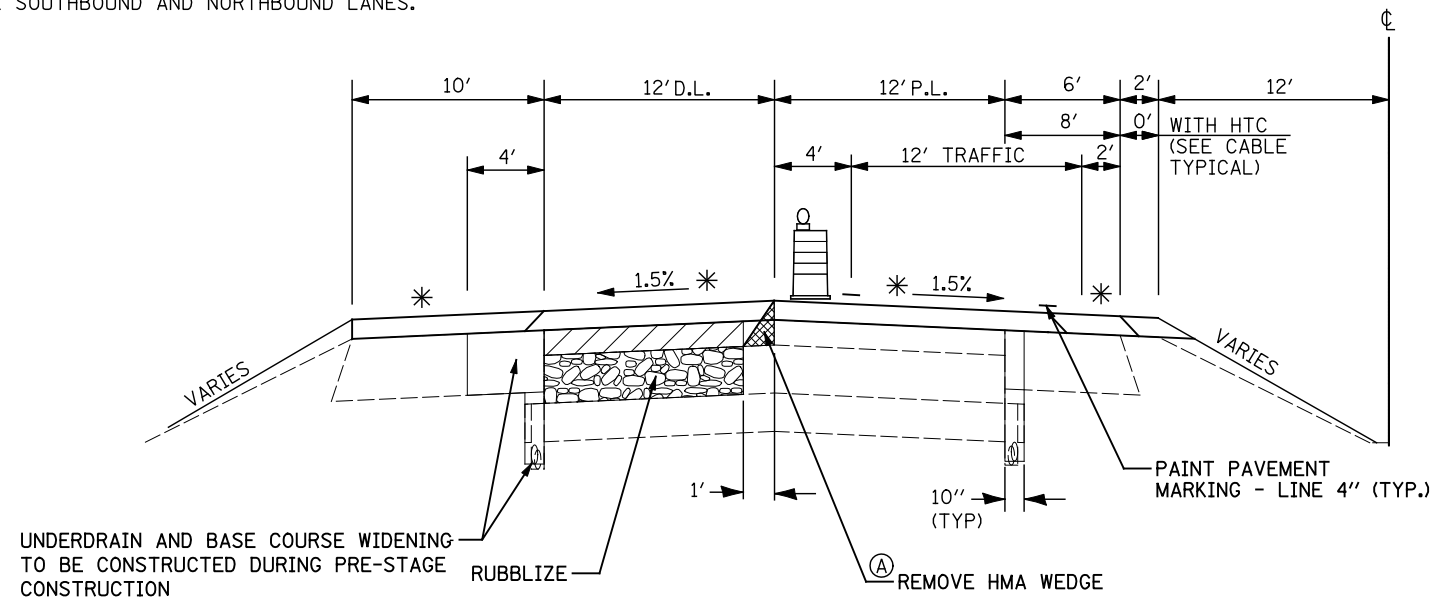
(A) HMA WEDGE REMOVAL TO THE CENTERLINE TO BE INCLUDED IN THE COST OF THE SURFACE REMOVAL (VARIABLE DEPTH). HMA BINDER USED TO REPLACE WEDGE TO BE INCLUDED IN THE COST OF THE FULL DEPTH HMA BINDER COURSE.

\* HMA 2" SURFACE COURSE AND FINAL SHOULDER COURSE TO BE CONSTRUCTED UNDER TRAFFIC AFTER COMPLETION OF RUBBLIZATION RECONSTRUCTION AND PLACEMENT OF HMA BINDER COURSE ON ALL SOUTHBOUND AND NORTHBOUND LANES.



**S.B. F.A.I. ROUTE 55 STAGE II TYPICAL SECTION**

STA. 519+00.00 TO STA. 670+00.00  
(LOOKING SOUTH)



**N.B. F.A.I. ROUTE 55 STAGE IV TYPICAL SECTION**

STA. 519+00.00 TO STA. 670+00.00  
(LOOKING SOUTH)

FILE NAME = ... \DB76D99-shr-stagingtyp.dgn	USER NAME = \$(USER)	DESIGNED -	REVISED -
Johnson, Depp & Quisenberry CONSULTING ENGINEERS Springfield, Illinois	PLOT SCALE = 100.0000' / IN.	DRAWN -	REVISED -
PLOT DATE = 02/02/2012 17:46:19	DATE -	CHECKED -	REVISED -
		DATE -	REVISED -

**STATE OF ILLINOIS  
DEPARTMENT OF TRANSPORTATION**

STAGE CONSTRUCTION TYPICAL SECTIONS				
SCALE:	SHEET NO.	OF SHEETS	STA.	TO STA.

F.A.I. RTE.	SECTION	COUNTY	TOTAL SHEETS	SHEET NO.
55	60-(1,2)RS-3	MADISON	212	53
CONTRACT NO. 76D99				
ILLINOIS FED. AID PROJECT				