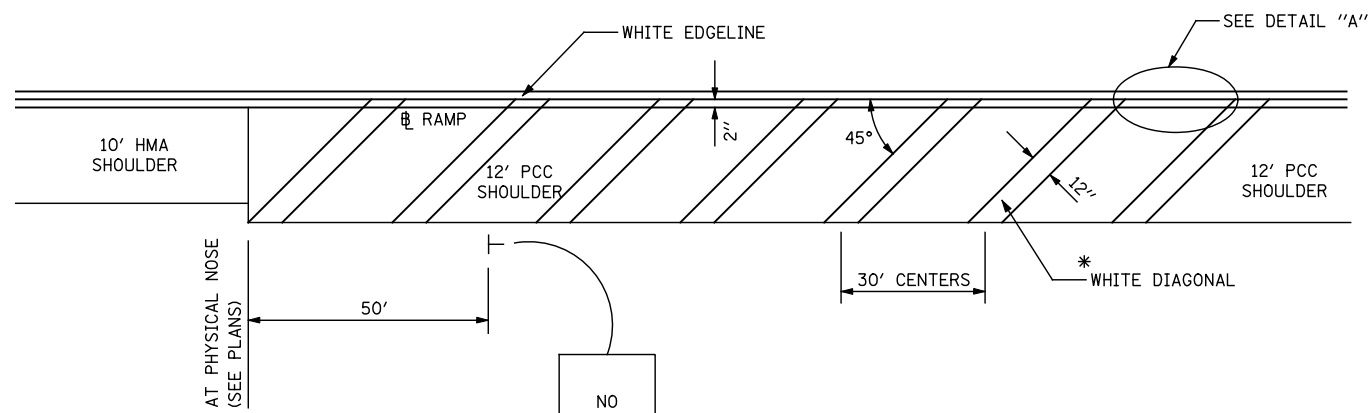


* NOTE: PREFORMED PLASTIC PAVEMENT MARKING, TYPE B - LINE 12" TO BE SURFACED APPLIED AND GROOVING WILL NOT BE REQUIRED.

NO PARKING
 R8-3
 2430
 (1) METAL POST-TYPE A (12 FOOT)
 (SPACED EVERY 300' ALONG PCC SHOULDER)

**PCC RAMP SHOULDER STRIPING
 AND "NO PARKING" SIGN DETAILS**

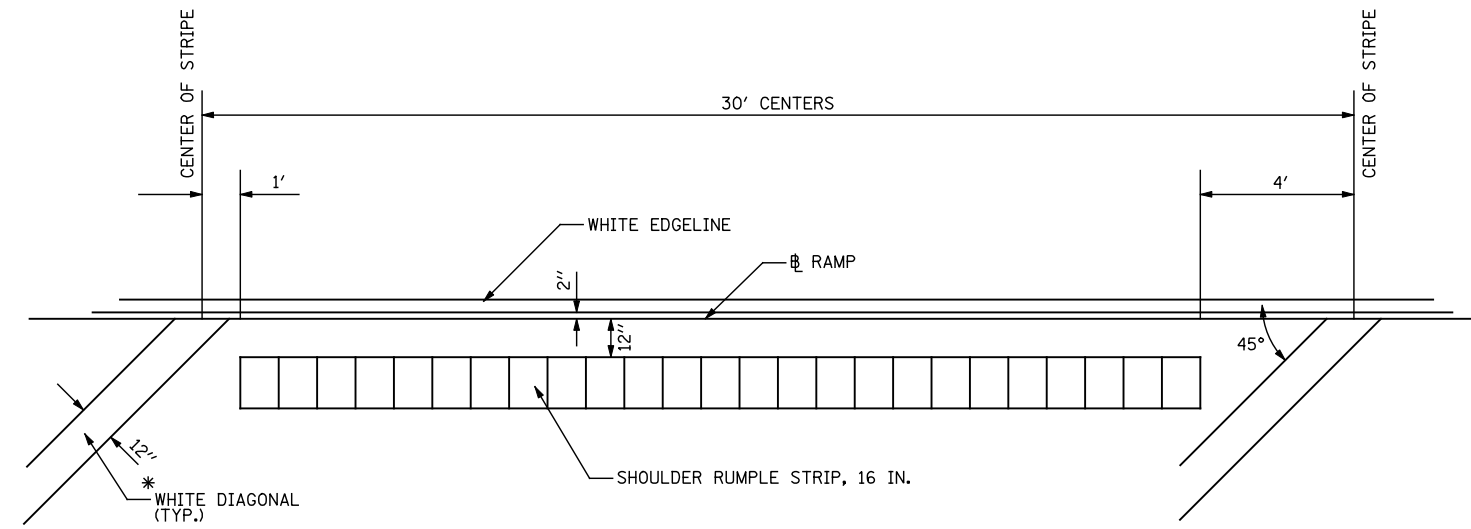
(IL 4 ENTRANCE RAMPS)



NO PARKING
 R8-3
 2430
 (1) METAL POST-TYPE A (12 FOOT)
 (SPACED EVERY 300' ALONG PCC SHOULDER)

**PCC RAMP SHOULDER STRIPING
 AND "NO PARKING" SIGN DETAILS**

(IL 4 EXIT RAMPS)



NOTE: RUMBLE STRIP TO BE CUT-IN AFTER PLACEMENT OF THE 12" WHITE DIAGONALS

**DETAIL "A"
 RUMBLE STRIP PLACEMENT ON 12' PCC RAMP SHOULDERS**

FILE NAME =	USER NAME = \$(USER)	DESIGNED -	REVISED -
... \CADD\0876D99-Sht-Details.dgn		DRAWN -	REVISED -
	PLOT SCALE = 40.0000' / IN.	CHECKED -	REVISED -
	PLOT DATE = 02/02/2012 18:21:41	DATE -	REVISED -

**STATE OF ILLINOIS
 DEPARTMENT OF TRANSPORTATION**

RAMP PCC SHOULDER MARKINGS, RUMBLE STRIP AND "NO PARKING SIGN" DETAILS			
SCALE:	SHEET NO.	OF SHEETS	STA. TO STA.

F.A.I. RTE.	SECTION	COUNTY	TOTAL SHEETS	SHEET NO.
55	60-(1,2)RS-3	MADISON	212	112
CONTRACT NO. 76D99				
ILLINOIS FED. AID PROJECT				