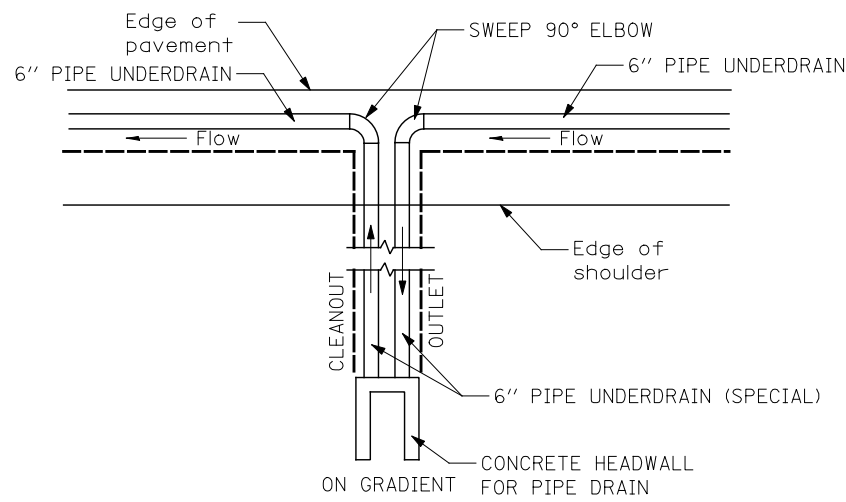
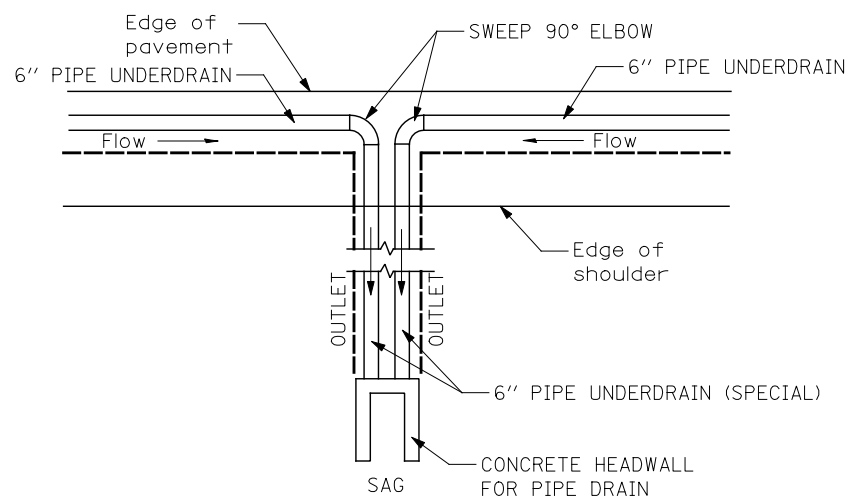


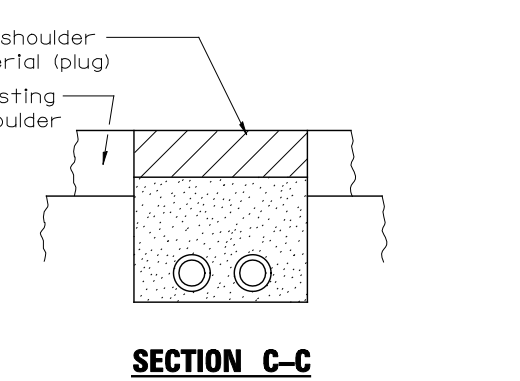
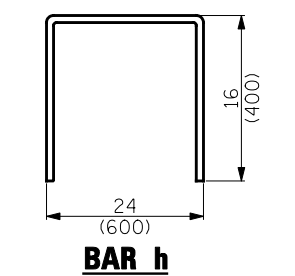
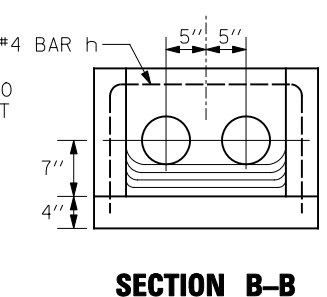
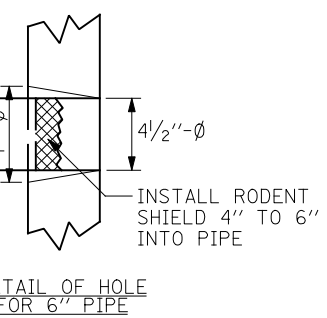
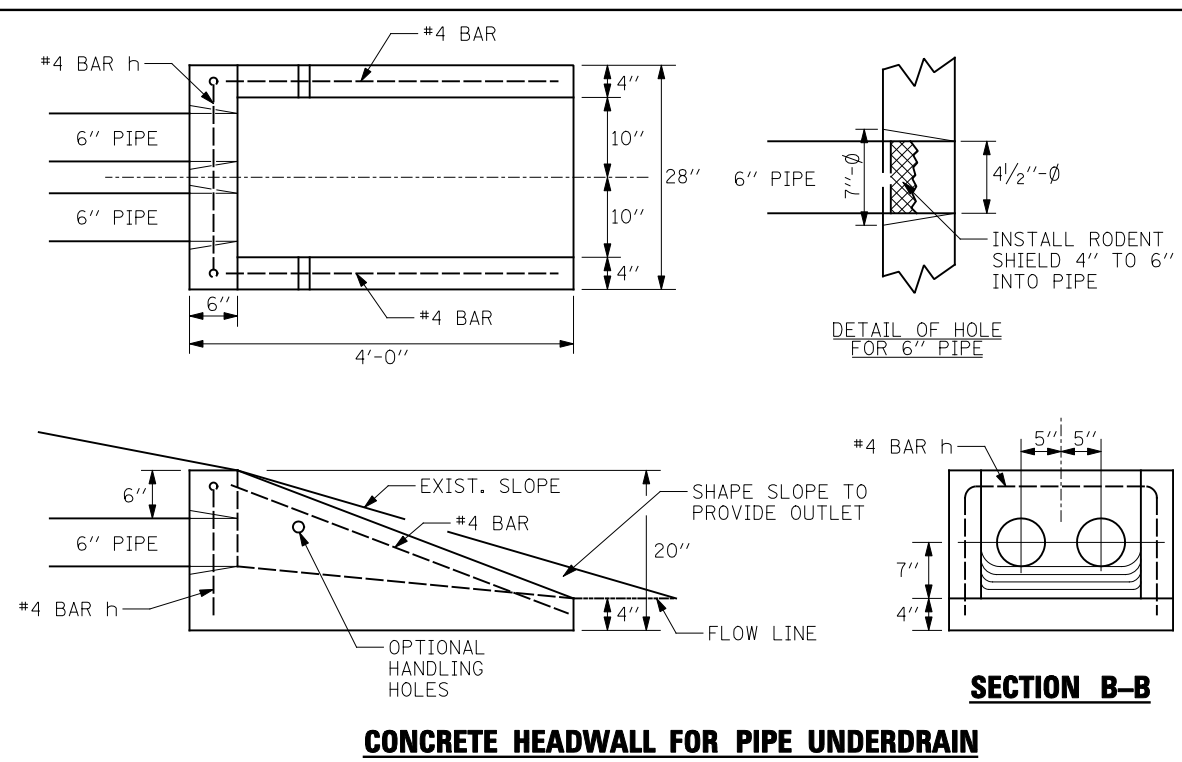
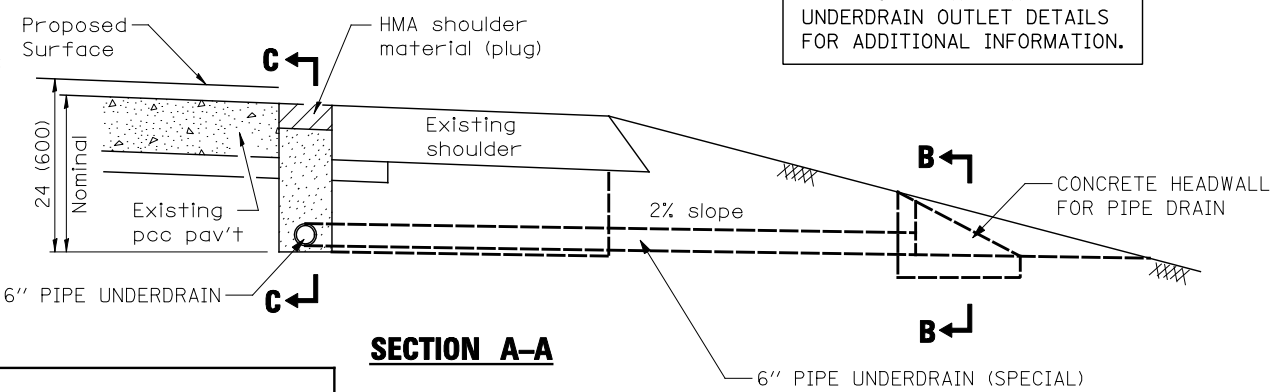
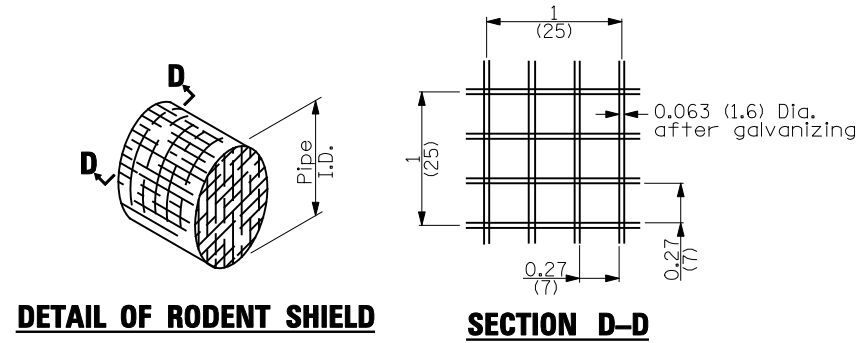
**DETAIL A**



**DETAIL B**



**DETAIL C**



AN ALTERNATE CONCRETE HEADWALL MEETING THE APPROVAL OF THE ENGINEER MAY BE SUBSTITUTED FOR THAT SHOWN.

ALL DIMENSIONS ARE IN INCHES (MILLIMETERS) UNLESS OTHERWISE SHOWN.

FILE NAME =	USER NAME = \$(USER)	DESIGNED -	REVISED -
...\\CADD\0876D99-Sht-Details.dgn		DRAWN -	REVISED -
Johnson, Depp & Quisenberry CONSULTING ENGINEERS Springfield, Illinois	PLOT SCALE = 100.0000' / IN.	CHECKED -	REVISED -
	PLOT DATE = 02/02/2012 18:23:13	DATE -	REVISED -

**STATE OF ILLINOIS**  
**DEPARTMENT OF TRANSPORTATION**

**SUB-SURFACE DRAIN DETAILS**

SCALE: SHEET NO. OF SHEETS STA. TO STA.

F.A.I. RTE.	SECTION	COUNTY	TOTAL SHEETS	SHEET NO.
55	60-(1,2)RS-3	MADISON	212	118
CONTRACT NO. 76D99				
ILLINOIS FED. AID PROJECT				