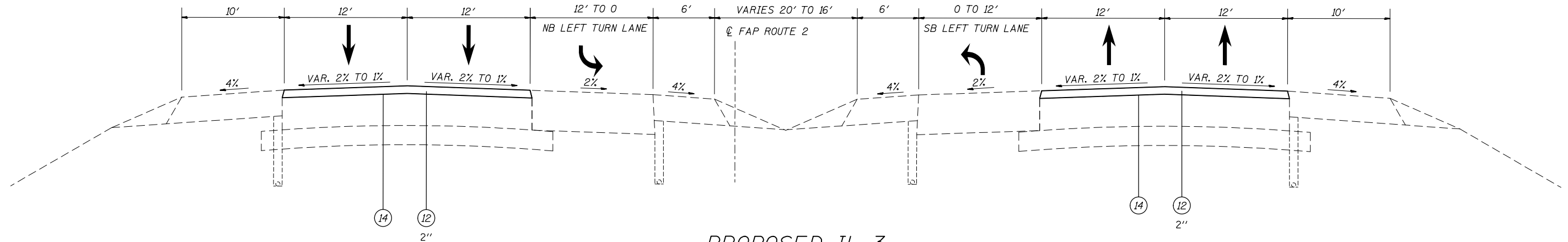
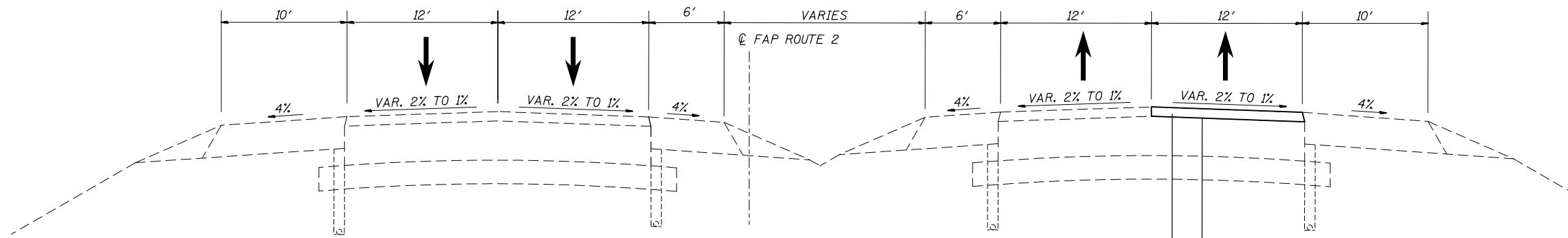


IL 3 PROPOSED TYPICAL SECTIONS AT CHAIN OF ROCKS RD.



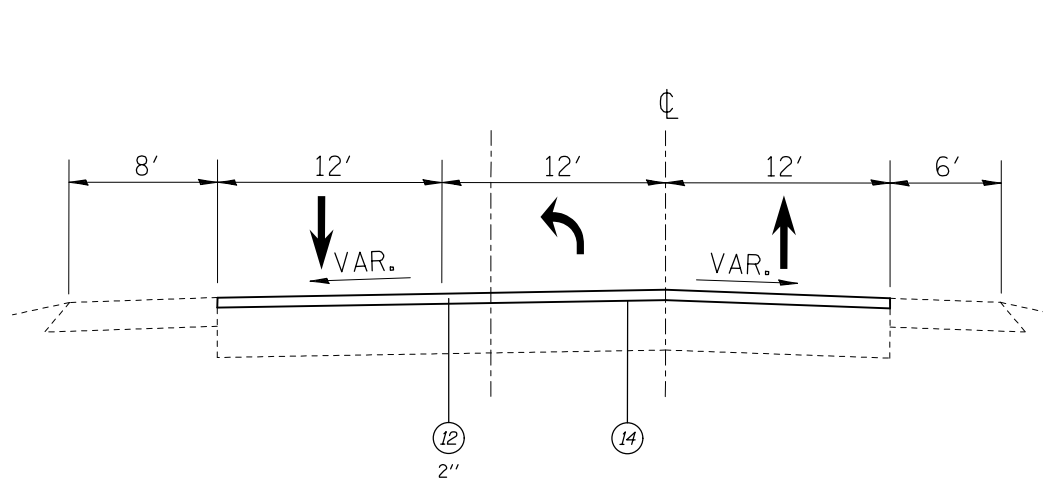
PROPOSED IL 3

STA. 1373+22.22 TO STA. 1382+14.02



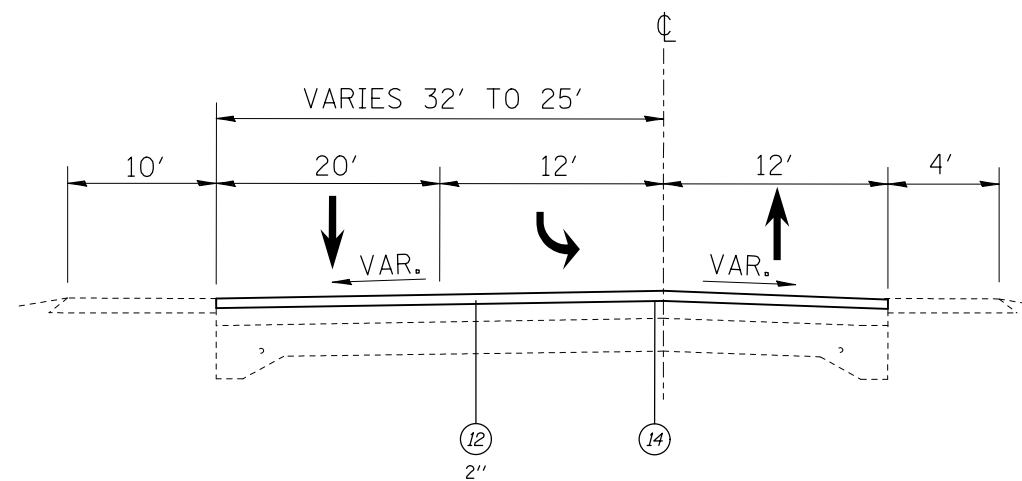
PROPOSED IL 3

STA. 1382+14.02 TO STA. 1436+94.90



PROPOSED CHAIN OF ROCKS RD.

STA. 27+67.40 TO STA. 29+56.00



PROPOSED CHAIN OF ROCKS RD.

STA. 30+44.01 TO STA. 32+10.40

LEGEND

- ① EXISTING RESURFACING, *
 - ② EXISTING PCC PAVEMENT, *
 - ③ EXISTING HMA PAVEMENT, *
 - ④ EXISTING CONCRETE CURB & GUTTER, TYPE B-6.24
 - ⑤ EXISTING HMA SHOULDERS
 - ⑥ EXISTING AGGREGATE SHOULDERS
 - ⑦ EXISTING PIPE UNDERDRAINS
 - ⑧ EXISTING CONCRETE MEDIAN SURFACE
 - ⑨ EXISTING GRAVEL OR CRUSHED STONE BASE, TYPE A
 - ⑩ EXISTING SUB-BASE
 - ⑪ PROPOSED HMA SURFACE REMOVAL, *
 - ⑫ PROPOSED POLYMERIZED HMA SURFACE COURSE, MIX "E", N90, *
 - ⑬ PROPOSED POLYMERIZED HMA BINDER COURSE, IL-19.0, FG, N90, *
 - ⑭ PROPOSED BITUMINOUS MATERIALS (PRIME COAT)
 - ⑮ PROPOSED HMA SHOULDER, 2 1/2"
- * SEE TYPICALS FOR DEPTHS.

FILE NAME =	USER NAME = elyaskordto	DESIGNED -	REVISED -	STATE OF ILLINOIS DEPARTMENT OF TRANSPORTATION	PROPOSED TYPICAL SECTIONS			F.A. RTE.	SECTION	COUNTY	TOTAL SHEETS	SHEET NO.
es:\pwork\pwork\elyaskordto\0316383\076g06-sht-plan.dgn		DRAWN -	REVISED -		2	(101, 102)RS-2, 202RS-4	MADISON	69	14			
MODELNAME	PLOT SCALE = 100.1553' / in.	CHECKED -	REVISED -		SCALE: SHEET 4 OF 5 SHEETS STA. TO STA.			CONTRACT NO. 76G06				
	PLOT DATE = 4/12/2013	DATE -	REVISED -		ILLINOIS FED. AID PROJECT							