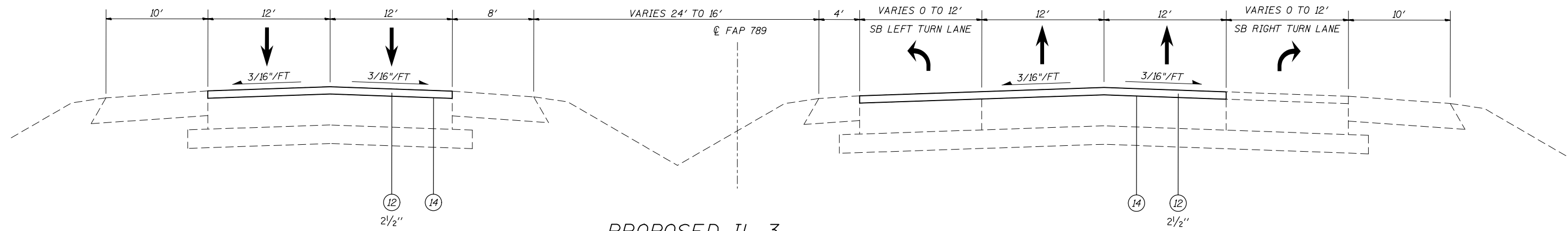
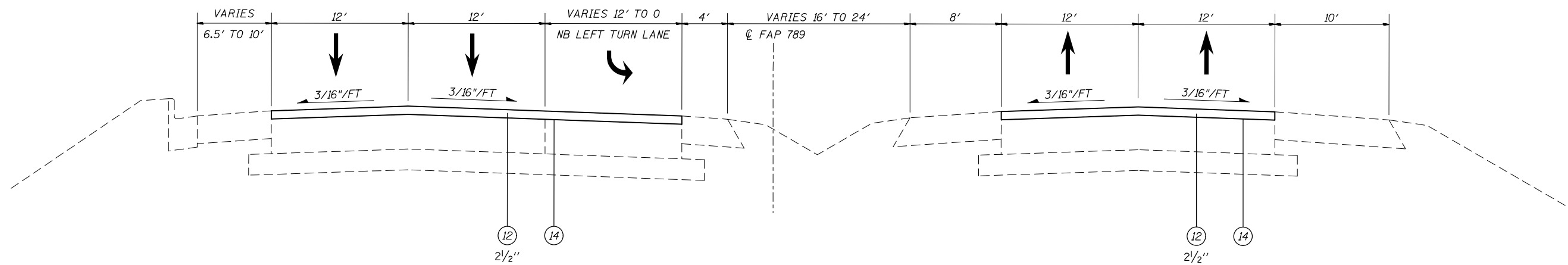


IL 3 PROPOSED TYPICAL SECTIONS AT PONTOON RD.



PROPOSED IL 3

STA. 1489+00.00 TO STA. 1495+50.47



PROPOSED IL 3

STA. 1495+50.47 TO STA. 1501+00.00

LEGEND

- ① EXISTING RESURFACING, *
 - ② EXISTING PCC PAVEMENT, *
 - ③ EXISTING HMA PAVEMENT, *
 - ④ EXISTING CONCRETE CURB & GUTTER, TYPE B-6.24
 - ⑤ EXISTING HMA SHOULDERS
 - ⑥ EXISTING AGGREGATE SHOULDERS
 - ⑦ EXISTING PIPE UNDERDRAINS
 - ⑧ EXISTING CONCRETE MEDIAN SURFACE
 - ⑨ EXISTING GRAVEL OR CRUSHED STONE BASE, TYPE A
 - ⑩ EXISTING SUB-BASE
 - ⑪ PROPOSED HMA SURFACE REMOVAL, *
 - ⑫ PROPOSED POLYMERIZED HMA SURFACE COURSE, MIX "E", N90, *
 - ⑬ PROPOSED POLYMERIZED HMA BINDER COURSE, IL-19.0, FG, N90, *
 - ⑭ PROPOSED BITUMINOUS MATERIALS (PRIME COAT)
 - ⑮ PROPOSED HMA SHOULDER, 2 1/2"
- * SEE TYPICALS FOR DEPTHS.

| | | | |
|---|------------------------------|------------|-----------|
| FILE NAME = | USER NAME = elyaskordio | DESIGNED - | REVISED - |
| es:\pw\work\p1\dot\elyaskordio\d0316383\076g06-sht-plan.dgn | | DRAWN - | REVISED - |
| | PLOT SCALE = 100.1553' / in. | CHECKED - | REVISED - |
| *MODELNAME* | PLOT DATE = 4/12/2013 | DATE - | REVISED - |

**STATE OF ILLINOIS
DEPARTMENT OF TRANSPORTATION**

PROPOSED TYPICAL SECTIONS

SCALE: SHEET 5 OF 5 SHEETS STA. TO STA.

| F.A. RTE. | SECTION | COUNTY | TOTAL SHEETS | SHEET NO. |
|---------------------------|-------------------------|---------|--------------|-----------|
| 2 | (101, 102)RS-2, 202RS-4 | MADISON | 69 | 15 |
| CONTRACT NO. 76G06 | | | | |
| ILLINOIS FED. AID PROJECT | | | | |