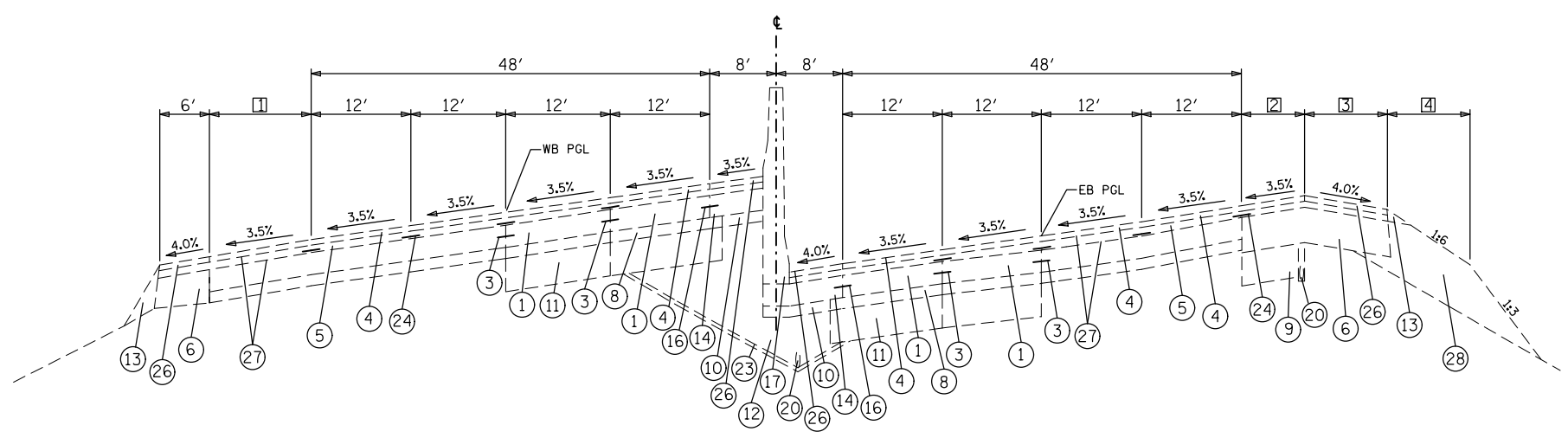


• SEE SUPERELEVATION TRANSITION DETAILS FOR PAVEMENT SUPERELEVATION.
 ** SHOULDER SLOPE SHOULD EQUAL ADJACENT PAVEMENT SUPERELEVATION RATE.

STA. 732+09.69 EB TO STA. 735+74.76 WB



STA. 735+74.76 TO STA. 744+15.00

☐ VARIES 1' (STA. 734+44.72 - EX. 1' STUB) TO 18' (STA. 744+15.00) SHOULDER PAVEMENT AND SUB-BASE GRANULAR MATERIAL, TYPE B
 ☒ VARIES 0' TO 8.34' (STA. 741+15.05) & 7.03' (STA. 741+15.05) TO 0' (STA. 742+89.11)
 ☓ VARIES 10' (STA. 742+89.11) TO 6' (STA. 743+84.48)
 ☑ VARIES

LEGEND

- ① CONTINUOUSLY REINFORCED PORTLAND CEMENT CONCRETE PAVEMENT 8"
- ② CONTINUOUSLY REINFORCED PORTLAND CEMENT CONCRETE PAVEMENT 9"
- ③ LONGITUDINAL CONSTRUCTION JOINT - USE NO. 6 EPOXY COATED DEFORMED TIE BARS AT 24" C-C AND 24" LONG, DRILLED AND GROUTED
- ④ POLYMERIZED BITUMINOUS CONCRETE SURFACE COURSE, STONE MATRIX ASPHALT, CLASS I (2")
- ⑤ POLYMERIZED BITUMINOUS CONCRETE BINDER COURSE, SUPERPAVE, IL-19.0, N105 (2-1/4" & VARIES)
- ⑥ 13" BITUMINOUS SHOULDER
- ⑦ 8" BITUMINOUS SHOULDER
- ⑧ STABILIZED SUB-BASE 4"
- ⑨ SUB-BASE GRANULAR MATERIAL, TYPE B 12"
- ⑩ SUB-BASE GRANULAR MATERIAL, TYPE A 4"
- ⑪ AGGREGATE SUBGRADE 12"
- ⑫ POROUS GRANULAR EMBANKMENT, SUBGRADE
- ⑬ AGGREGATE SHOULDER, TYPE B
- ⑭ PORTLAND CEMENT CONCRETE SHOULDERS 8"
- ⑮ PORTLAND CEMENT CONCRETE SHOULDERS 9"
- ⑯ LONGITUDINAL CONSTRUCTION JOINT - USE 3/4 INCH EPOXY COATED SMOOTH DOWEL BARS AT 24" C-C AND 24" LONG
- ⑰ CONCRETE BARRIER, CONCRETE BARRIER (MODIFIED), CONCRETE BARRIER (SPECIAL), OR CONCRETE BARRIER TRANSITION
- ⑱ GUARDRAIL
- ⑲ BITUMINOUS SHOULDER CURB
- ⑳ PIPE UNDERDRAINS 6"
- ㉑ SLOTTED DRAIN STRUCTURE
- ㉒ STORM SEWER
- ㉓ FILTER FABRIC
- ㉔ STRIP REFLECTIVE CRACK CONTROL TREATMENT
- ㉕ NOISE ABATEMENT WALL
- ㉖ BITUMINOUS CONCRETE SURFACE COURSE, SUPERPAVE, MIX "C", N50 (2")
- ㉗ BITUMINOUS MATERIALS (PRIME COAT)
- ㉘ EMBANKMENT

FILE NAME =	USER NAME = conoverpj	DESIGNED -	REVISED -	STATE OF ILLINOIS DEPARTMENT OF TRANSPORTATION	EXISTING TYPICAL SECTIONS			F.A.I. RTE.	SECTION	COUNTY	TOTAL SHEETS	SHEET NO.
et:\pw\work\p\dot\conoverpj\d0329453\d076gl8-sh-typical.dgn		DRAWN -	REVISED -		64	82-(4,5,6,7)-1R-1	ST. CLAIR	55	15			
PLOT SCALE = 100.0000' / in.		CHECKED -	REVISED -		CONTRACT NO. 76G18							
PLOT DATE = 3/26/2013		DATE -	REVISED -		SCALE:	SHEET NO. 11 OF 11 SHEETS	STA.	TO STA.	FED. ROAD DIST. NO.	ILLINOIS FED. AID PROJECT		