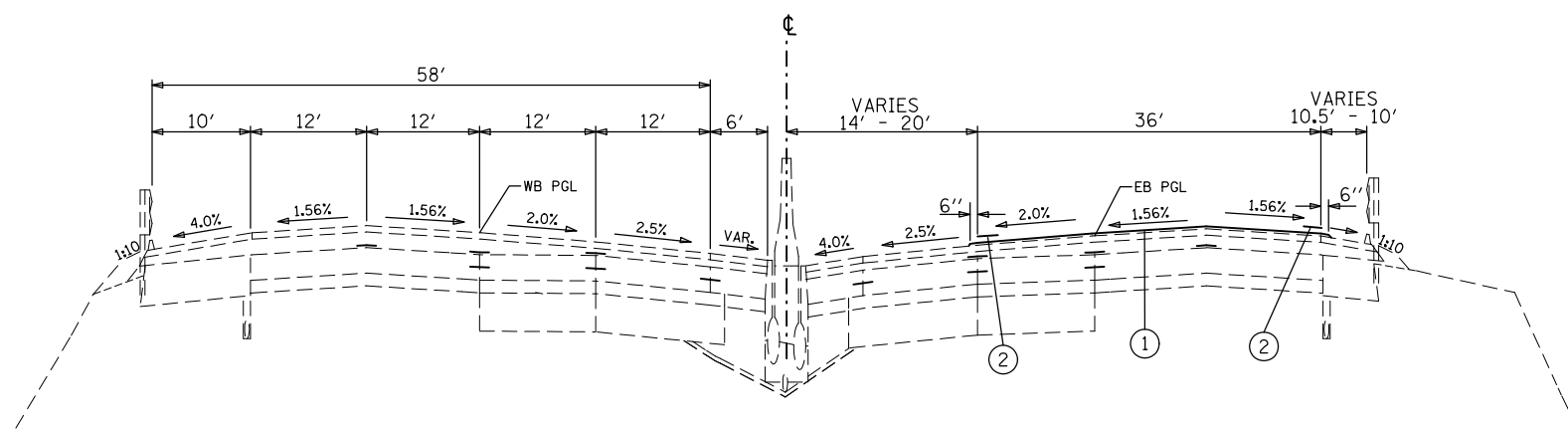


STA. 400+00 TO STA. 412+60



STA. 412+60 TO STA. 417+08.89

LEGEND

- ① PROP. MICRO-SURFACING SINGLE PASS, TYPE II, 1/2" (WITH RUT FILLING)
- ② THERMOPLASTIC PAVEMENT MARKING, EDGELINE

FILE NAME =	USER NAME = conoverpj	DESIGNED -	REVISED -
et:\pw\work\p\dot\conoverpj\d0329453\d076g18-sh-typical.dgn		DRAWN -	REVISED -
	PLOT SCALE = 100.0000' / 1in.	CHECKED -	REVISED -
	PLOT DATE = 3/26/2013	DATE -	REVISED -

STATE OF ILLINOIS
DEPARTMENT OF TRANSPORTATION

PROPOSED TYPICAL SECTIONS

SCALE: SHEET NO. 3 OF 11 SHEETS STA. TO STA.

F.A.I. RTE.	SECTION	COUNTY	TOTAL SHEETS	SHEET NO.
64	82-(4,5,6,7)-1R-1	ST. CLAIR	55	18
FED. ROAD DIST. NO. ILLINOIS FED. AID PROJECT			CONTRACT NO. 76G18	