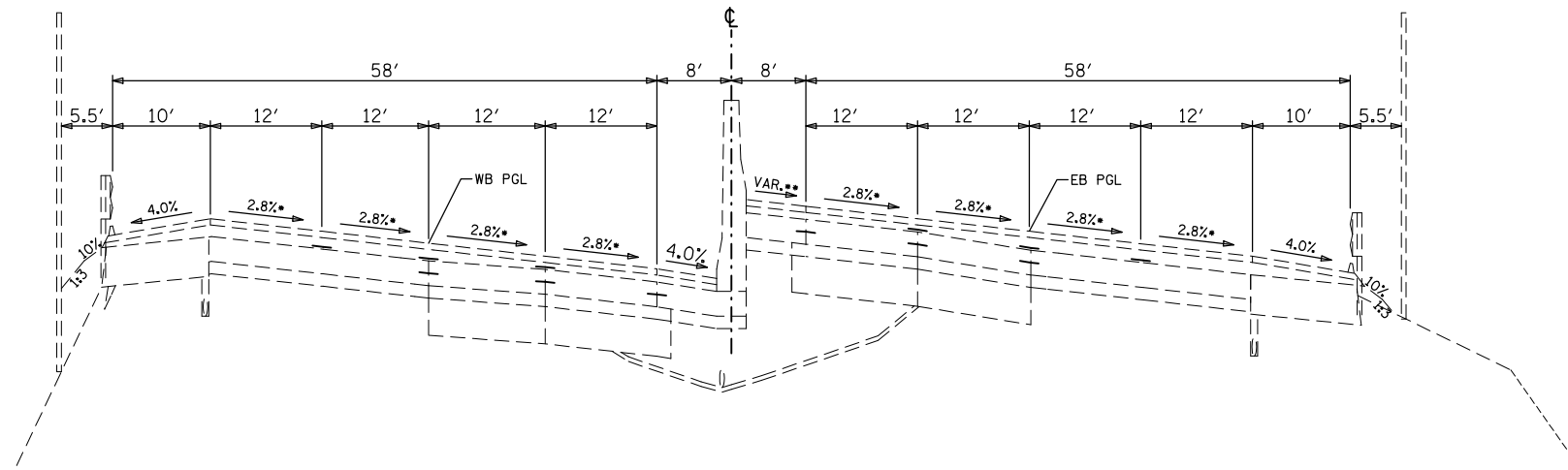
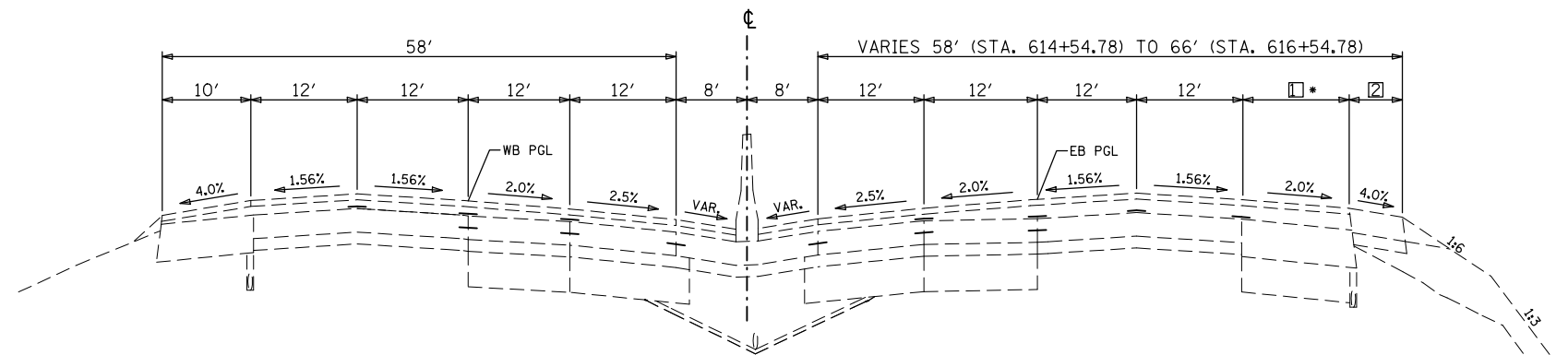


LEGEND

- ① PROP. MICRO-SURFACING SINGLE PASS, TYPE II, 1/2" (WITH RUT FILLING)
- ② THERMOPLASTIC PAVEMENT MARKING, EDGELINE



STA. 585+31.38 EB TO STA. 607+83.78 EB
 STA. 586+21.18 WB TO STA. 606+93.98 WB



* □ SHOULDER PAVEMENT & SUB-BASE WIDTH VARY 10' (STA. 616+04.78) TO 12' (STA. 616+54.78)
 □ VARIES 0' (STA. 614+54.78) TO 6' (STA. 616+04.78)

STA. 613+80.02 TO STA. 657+24.79 EB
 STA. 652+43.94 WB

STATION EQUATION
 STA. 618+20.65 BK =
 STA. 643+85.18 AH

FILE NAME =	USER NAME = conoverpj	DESIGNED -	REVISED -
et:\pw\work\p\dot\conoverpj\d0329453\d876g18-sh-typical.dgn		DRAWN -	REVISED -
	PLOT SCALE = 100.0000' / 1in.	CHECKED -	REVISED -
	PLOT DATE = 3/26/2013	DATE -	REVISED -

STATE OF ILLINOIS
 DEPARTMENT OF TRANSPORTATION

PROPOSED TYPICAL SECTIONS

SCALE: SHEET NO. 7 OF 11 SHEETS STA. TO STA.

F.A.I. RTE.	SECTION	COUNTY	TOTAL SHEETS	SHEET NO.
64	82-(4,5,6,7)-1R-1	ST. CLAIR	55	22
CONTRACT NO. 76G18				
FED. ROAD DIST. NO. ILLINOIS FED. AID PROJECT				