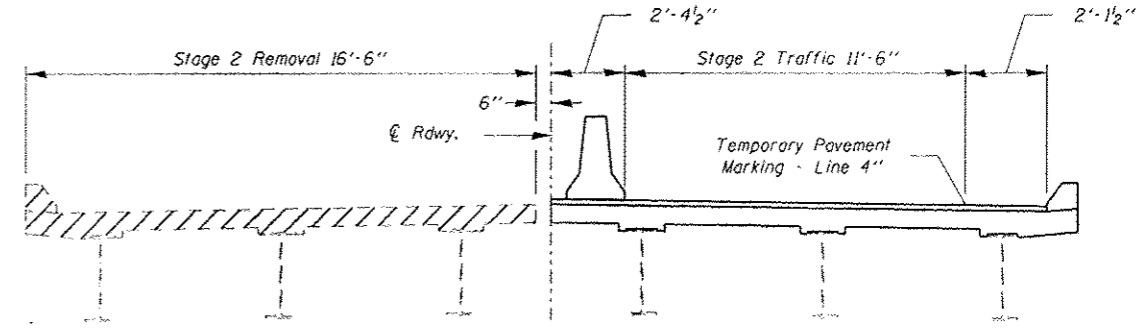
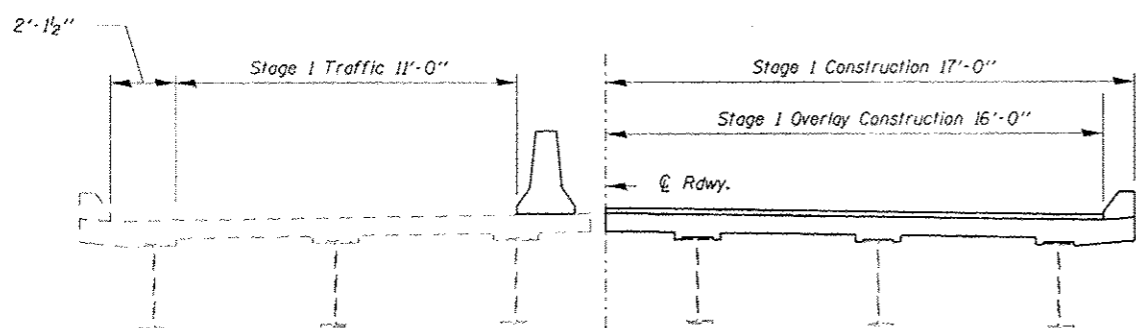


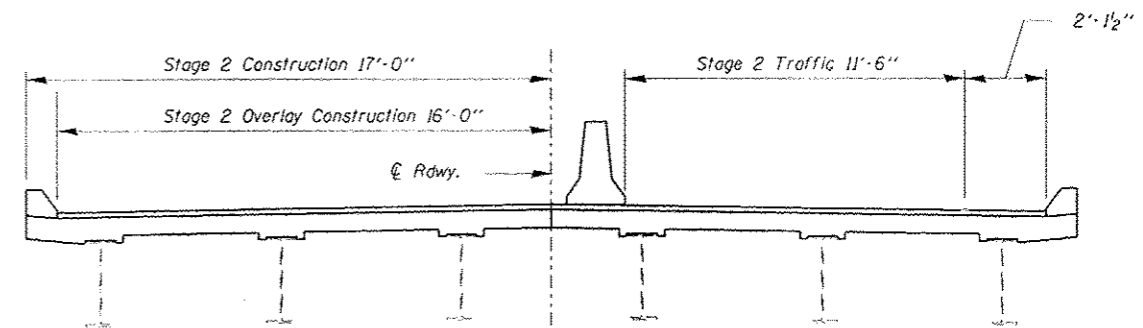
Stage 1 Removal



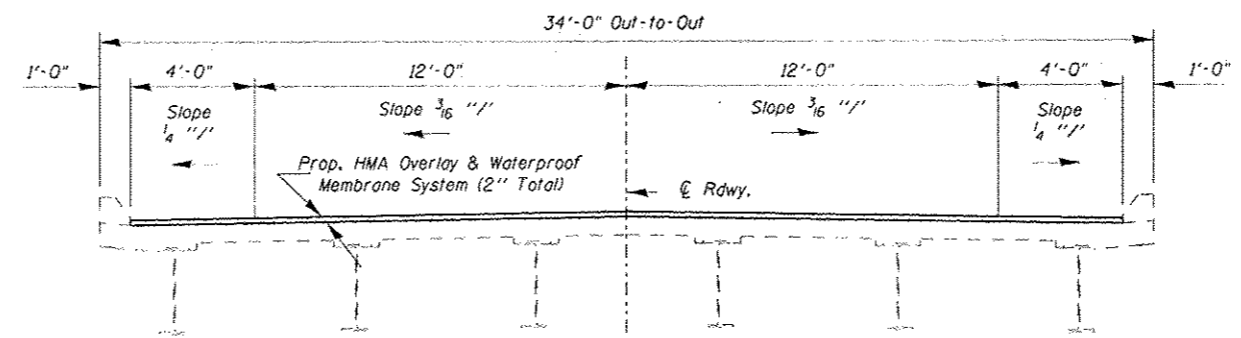
Stage 2 Removal



Stage 1 Construction



Stage 2 Construction



Section Through Overlay

Concrete Removal at joint replacements  
All Sections looking South.

FILE NAME: c:\pwwork\pseudot\shell\eged\1003068454792	USER NAME: RUSER# 7:snch-028-0834.dgn	DESIGNED: A. ADAMS	REVISED:	<b>STATE OF ILLINOIS DEPARTMENT OF TRANSPORTATION</b>	<b>ABUTMENT JOINT DETAILS SN 028-0034</b>		F.A.U. RTE.:	SECTION:	COUNTY:	TOTAL SHEETS:	SHEET NO.:	
PLOT SCALE: 1/8" = 1'-0"	PLOT DATE: 3/22/2013	DRAWN: A. ADAMS	REVISED:		SCALE:	SHEET 2 OF 9 SHEETS	STA.:	TO STA.:	(11,12R-1)	FRANKLIN	196	60
		CHECKED: M. STEPHENSON	REVISED:						CONTRACT NO. 78317			
		DATE: 5/18/2012	REVISED:						ILLINOIS FED. AID PROJECT			