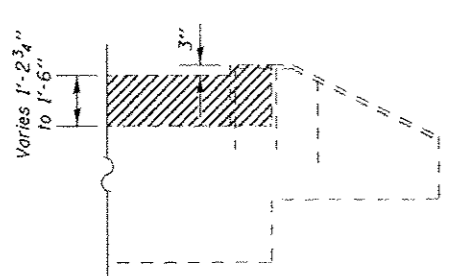


**JOINT @ NORTH ABUTMENT PLAN  
SHOWING NEW CONCRETE**

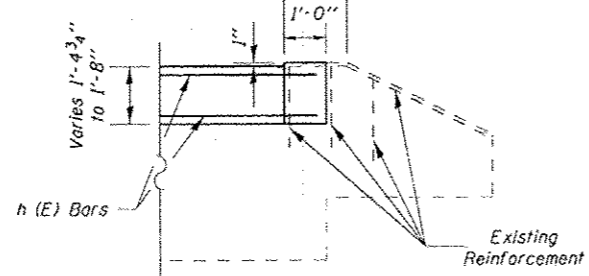
South Abutment Similar

**JOINT @ NORTH ABUTMENT PLAN  
SHOWING CONCRETE REMOVAL**

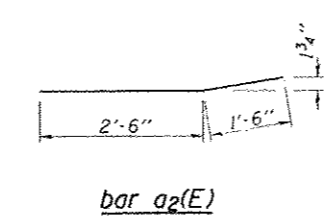
South Abutment Similar



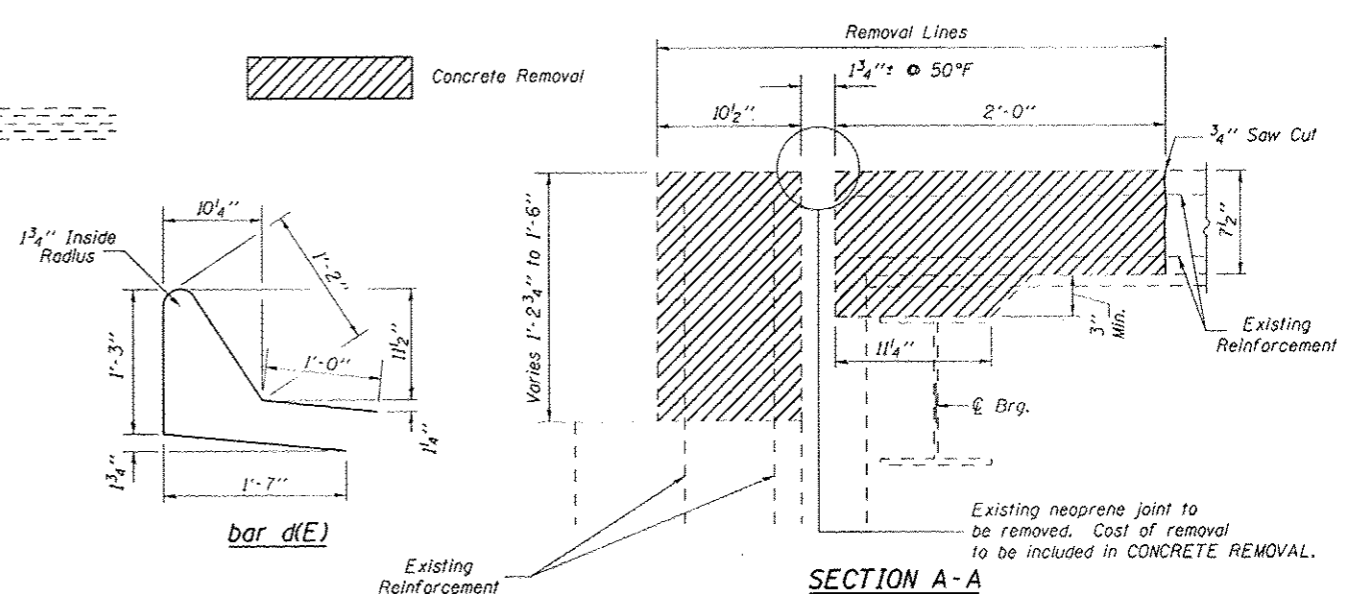
**SECTION C-C**



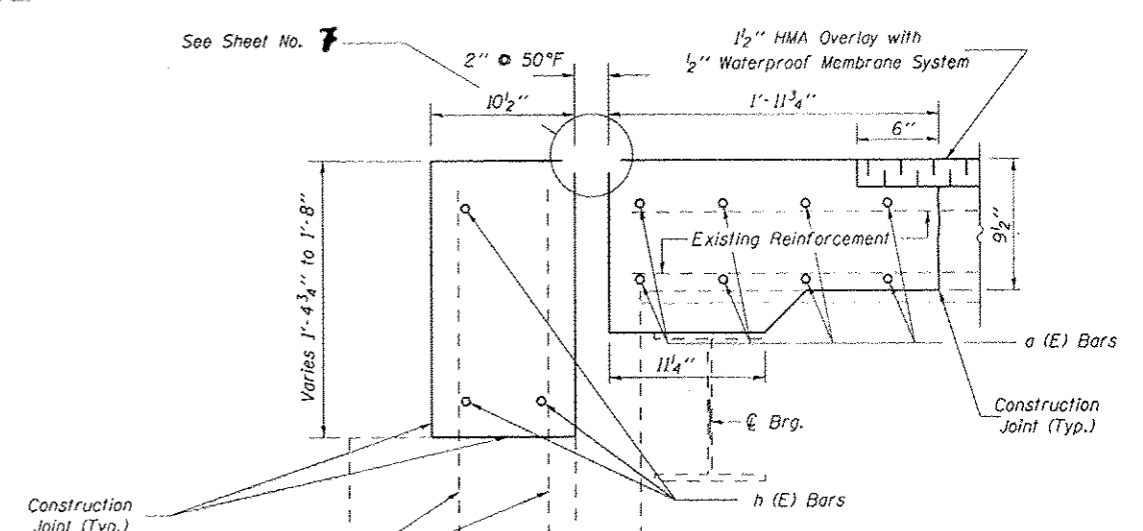
**SECTION D-D**



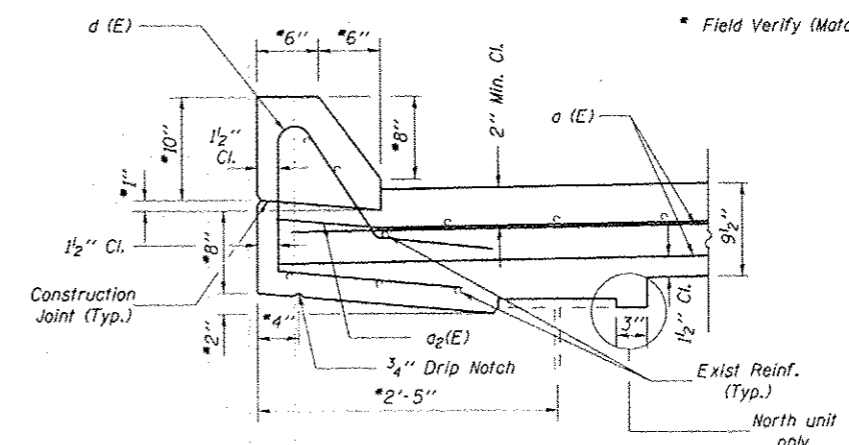
**bar a2(E)**



**SECTION A-A**



**SECTION B-B**



**SECTION THROUGH PARAPET**

**BILL OF MATERIAL**

028-0034 - BOTH ABUTMENTS				
BAR	NO.	SIZE	LENGTH	SHAPE
a(E)	32	#5	16'-9"	
a2(E)	12	#6	4'-0"	
d(E)	12	#5	5'-2"	
h(E)	12	#6	16'-9"	
Concrete Superstructure			Cu Yd	8.1
Concrete Removal			Cu Yd	7.1
Bar Splicers			Each	22
Reinforcement Bars, Epoxy Coated			Pound	1000

Reinforcement Bars designated (E) shall be epoxy coated.

FILE NAME	USER NAME	DESIGNED	REVISED
7-shh-028-0034.dwg	BUSKER	A. ADAMS	
PLOT SCALE	PLOT DATE	CHECKED	REVISED
1/8" = 1'-0"	3/22/2013	M. STEPHENSON	
		DATE	REVISED
		5/18/2012	

**STATE OF ILLINOIS  
DEPARTMENT OF TRANSPORTATION**

**ABUTMENT JOINT DETAILS  
SN 028-0034**

SCALE: SHEET 3 OF 9 SHEETS STA. TO STA.

F.A.U. RTE.	SECTION	COUNTY	TOTAL SHEETS	SHEET NO.
	(11.12R-1)	FRANKLIN	196	61
CONTRACT NO. 78317			ILLINOIS FED. AID PROJECT #FAS 2882/FAU 9481	