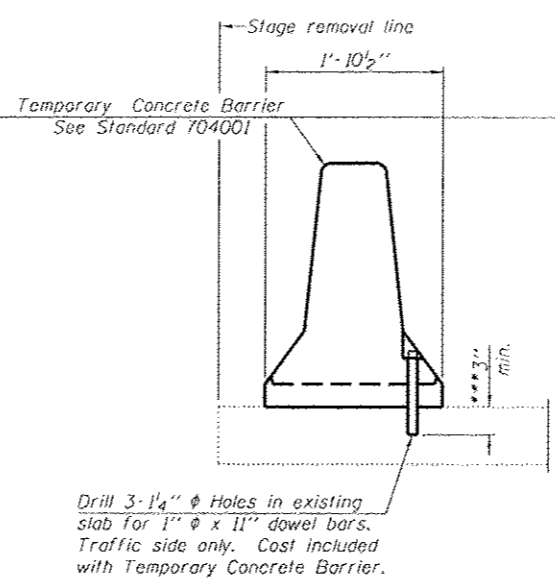
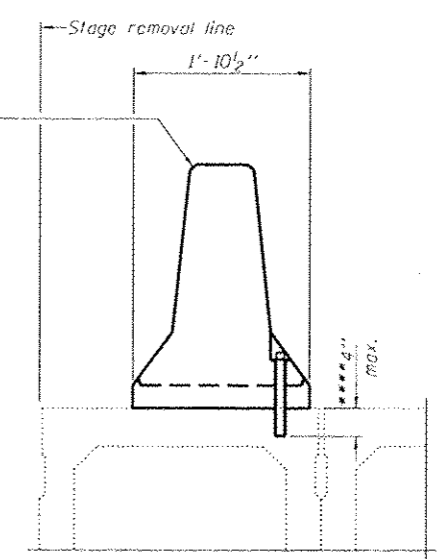


NEW SLAB



EXISTING SLAB



EXISTING DECK BEAM

When "A" is 3'-6" or less, the temporary concrete barrier shall be anchored to the new slab according to Detail I or Detail II. No anchorage is required when "A" is greater than 3'-6".

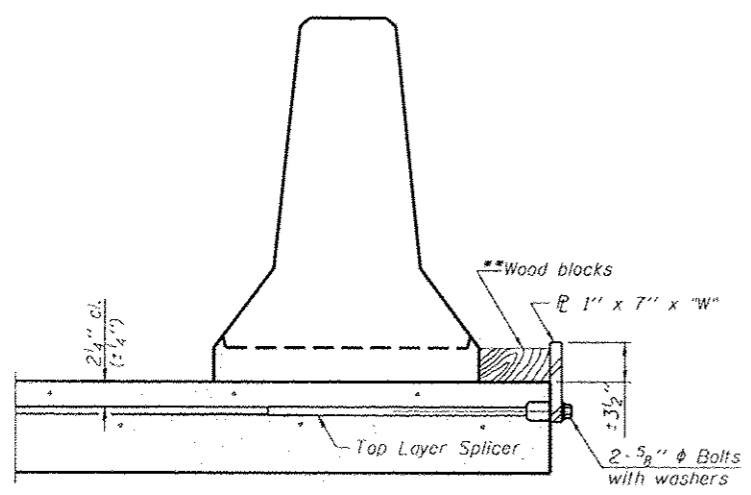
Temporary Concrete Barrier
See Standard 704001

Drill 3-1/4" ϕ Holes in existing slab for 1" ϕ x 11" dowel bars. Traffic side only. Cost included with Temporary Concrete Barrier.

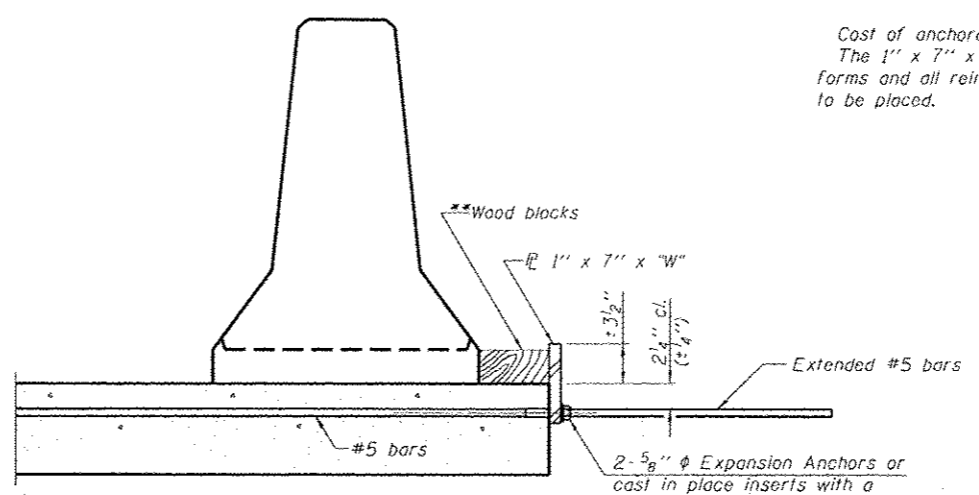
SECTIONS THRU SLAB OR DECK BEAM

- *** Dimension shown is minimum required embedment into concrete. If hot mix asphalt wearing surface is present, minimum embedment shall be in addition to wearing surface depth.
- **** If existing deck beam is to remain in place after stage construction, embedment shall only be into wearing surface and not into existing deck beam concrete.

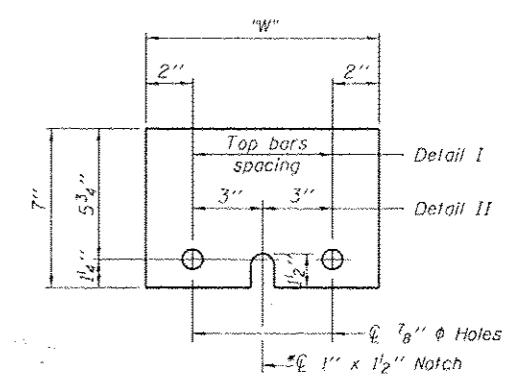
- NOTES**
- Detail I - With Bar Splicer or Couplers: Connect one (1) 1" x 7" x "W" steel \bar{r} to the top layer of couplers with 2-5/8" ϕ bolts screwed to coupler at approximate \bar{c} of each barrier panel.
 - Detail II - With Extended Reinforcement Bars: Connect one (1) 1" x 7" x "W" steel \bar{r} to the concrete slab or concrete wearing surface with 2-5/8" ϕ Expansion Anchors or cast in place inserts spaced between the top layer of reinforcement at approximate \bar{c} of each barrier panel.
- Cost of anchorage is included with Temporary Concrete Barrier. The 1" x 7" x "W" plate shall not be removed until stage II construction forms and all reinforcement bars are in place and the concrete is ready to be placed.



DETAIL I



DETAIL II



STEEL RETAINER 1" x 7" x "W"

* Required only with Detail II

** Wood blocks may be omitted when required to provide minimum stage traffic lane width. When the wood blocks are omitted, the concrete barrier shall be in direct contact with the steel retainer plate.

"W" = Top bars spacing + 4"

R-27

7-1-10

FILE NAME: c:\pwwork\p1dot\kelly\ad\083866451761	USER NAME: USER# 028-0834.dgn	DESIGNED - A. ADAMS	REVISED -	STATE OF ILLINOIS DEPARTMENT OF TRANSPORTATION	TEMPORARY CONCRETE BARRIER FOR STAGE CONSTRUCTION	F.A.D. RTE.	SECTION (11.12R-1)	COUNTY FRANKLIN	TOTAL SHEETS 196	SHEET NO. 67		
	PLOT SCALE = 1/8" = 1'-0"	CHECKED - M. STEPHENSON	REVISED -			SCALE:	SHEET 9 OF 9 SHEETS	STA.	TO STA.	CONTRACT NO. 78317		
	PLOT DATE = 3/22/2013	DATE = 5/18/2012	REVISED -			ILLINOIS FED. AID PROJECT						
*FAS 2882/FAU 9481												