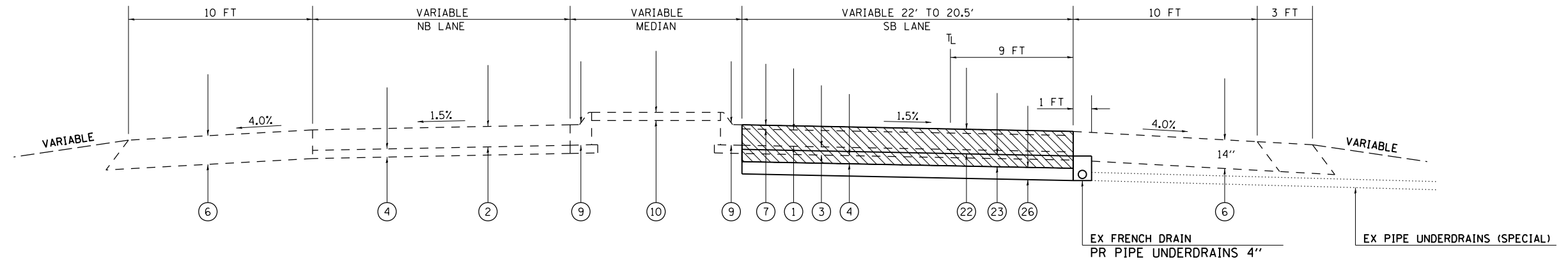


# TYPICAL SECTIONS

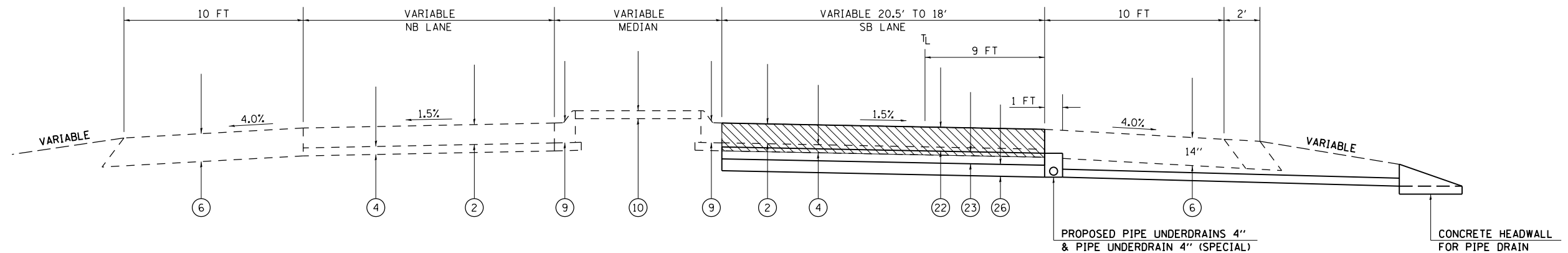
LOCATION 1  
GALLATIN COUNTY  
FAP 776 (IL 142)  
(LOOKING SOUTH)



TO BE USED:  
STA 315+66.84 TO STA 316+30.00

## LEGEND

- |  |  |  |
|--|--|--|
| ① EXISTING PCC PAVEMENT 8"                       | ⑥ EXISTING HMA SHOULDER                          | ②② PROPOSED PCC PAVEMENT 12" (JOINTED)           |
| ② EXISTING PCC PAVEMENT 10"                      | ⑦ EXISTING HMA OVERLAY 2"                        | ②③ PROPOSED SUBBASE GRANULAR MATERIAL, TYPE A 6" |
| ③ EXISTING STABILIZED SUB-BASE 4"                | ⑧ EXISTING HMA OVERLAY 3"                        | ②⑥ PROPOSED                                      |
| ④ EXISTING SUB-BASE GRANULAR MATERIAL, TYPE A 4" | ⑨ EXISTING COMBINATION CONCRETE C&G, TYPE M-6.06 | ▨ PROPOSED PAVEMENT REMOVAL                      |
| ⑤ EXISTING STABILIZED SHOULDER                   | ⑩ EXISTING CONCRETE MEDIAN SURFACE, 4 INCH       |  |



TO BE USED:  
STA 316+30 TO STA 316+86

FILE NAME =	USER NAME = \$USER*	DESIGNED -	REVISED -	<b>STATE OF ILLINOIS DEPARTMENT OF TRANSPORTATION</b>	<b>TYPICAL SECTIONS - LOCATION 1</b>			F.A. RTE.	SECTION	COUNTY	TOTAL SHEETS	SHEET NO.		
et:\pw\work\p\dot\k\elleykd\0335268\78356\sh\pin.dgn		DRAWN -	REVISED -		SCALE:	SHEET NO.	OF SHEETS	STA.	TO STA.	VAR	D9 CM PATCH 2014-1	*	17	7
		CHECKED -	REVISED -							* GALLATIN & WHITE		CONTRACT NO. 78356		
		DATE -	REVISED -		ILLINOIS FED. AID PROJECT									