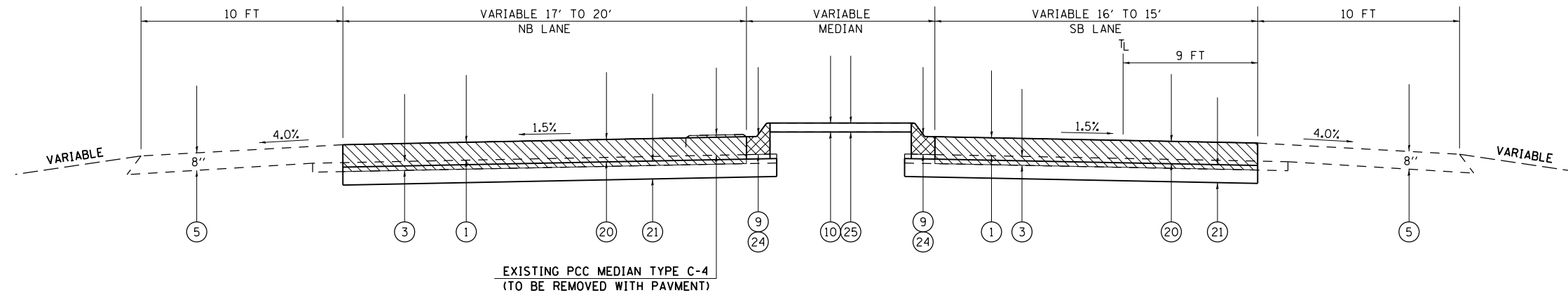


TYPICAL SECTIONS

LOCATION 1
GALLATIN COUNTY
FAS 902 (IL 142)
(LOOKING SOUTH)



TO BE USED:
STA 321+00 TO STA 323+31

LEGEND

- | | | |
|--|--|--|
| ① EXISTING PCC PAVEMENT 8" | ⑥ EXISTING HMA SHOULDER | ⑳ PROPOSED PCC PAVEMENT 10" (JOINTED) |
| ② EXISTING PCC PAVEMENT 10" | ⑦ EXISTING HMA OVERLAY 2" | ㉑ PROPOSED SUBBASE GRANULAR MATERIAL, TYPE A 8" |
| ③ EXISTING STABILIZED SUB-BASE 4" | ⑧ EXISTING HMA OVERLAY 3" | ㉒ PROPOSED COMBINATION CONCRETE C&G, TYPE M-6.06 |
| ④ EXISTING SUB-BASE GRANULAR MATERIAL, TYPE A 4" | ⑨ EXISTING COMBINATION CONCRETE C&G, TYPE M-6.06 | ㉓ PROPOSED CONCRETE MEDIAN SURFACE, 4 INCH |
| ⑤ EXISTING STABILIZED SHOULDER | ⑩ EXISTING CONCRETE MEDIAN SURFACE, 4 INCH | PROPOSED PAVEMENT REMOVAL |
| | | COMBINATION C&G REMOVAL |

FILE NAME =	USER NAME = \$USER*	DESIGNED -	REVISED -
et:\pw\work\p1dot\kellykd\0335268\78356sht.pln.dgn		DRAWN -	REVISED -
		CHECKED -	REVISED -
		DATE -	REVISED -

STATE OF ILLINOIS
DEPARTMENT OF TRANSPORTATION

TYPICAL SECTIONS - LOCATION 1

SCALE: SHEET NO. OF SHEETS STA. TO STA.

F.A. RTE.	SECTION	COUNTY	TOTAL SHEETS	SHEET NO.
VAR	D9 CM PATCH 2014-1	*	17	8
* GALLATIN & WHITE			CONTRACT NO. 78356	
ILLINOIS FED. AID PROJECT				