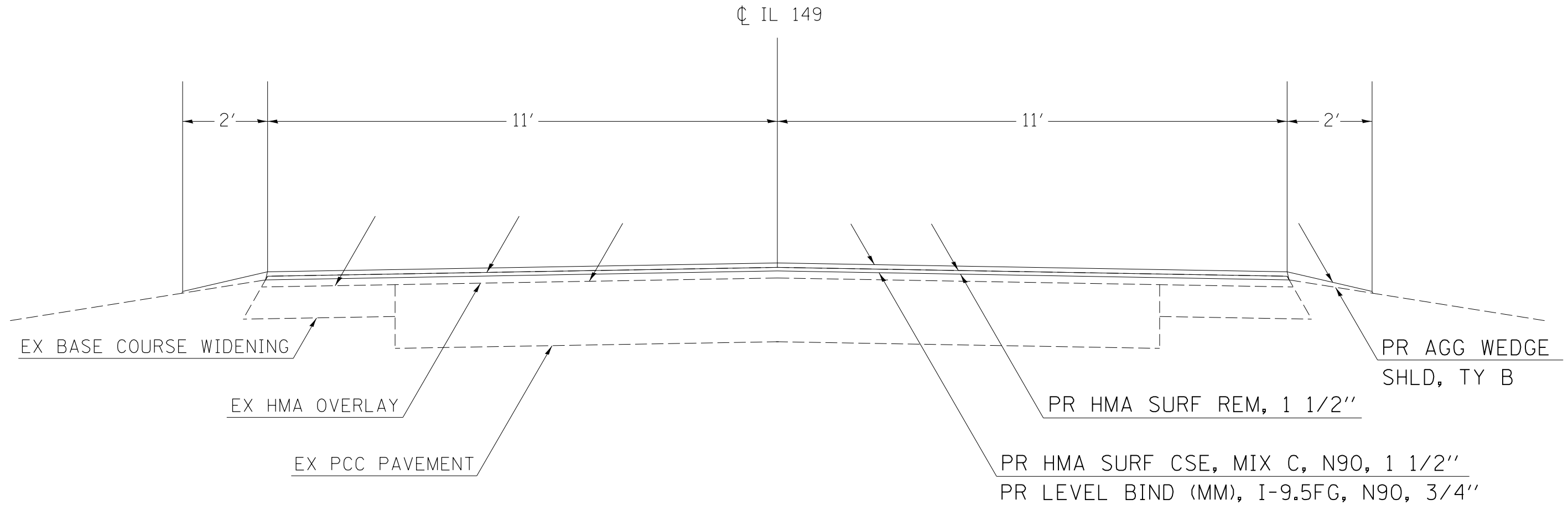


TYPICAL SECTION #2

11' LANES



TO BE USED:
STA 196+85 TO STA 238+95

FILE NAME =	USER NAME = \$USER*	DESIGNED -	REVISED -	STATE OF ILLINOIS DEPARTMENT OF TRANSPORTATION	TYPICAL SECTION				F.A.P. RTE.	SECTION	COUNTY	TOTAL SHEETS	SHEET NO.
et:\pw\work\p\dot\k\elleykd\0336015\78358	8-sht.pln.dgn	DRAWN -	REVISED -		873	105RS-3	FRANKLIN	19	9				
\$MODELNAME*	PLOT SCALE = 100.0000' / in.	CHECKED -	REVISED -		CONTRACT NO. 78358				ILLINOIS FED. AID PROJECT				
	PLOT DATE = 3/22/2013	DATE -	REVISED -		SCALE:	SHEET NO.	OF SHEETS	STA.	TO STA.				