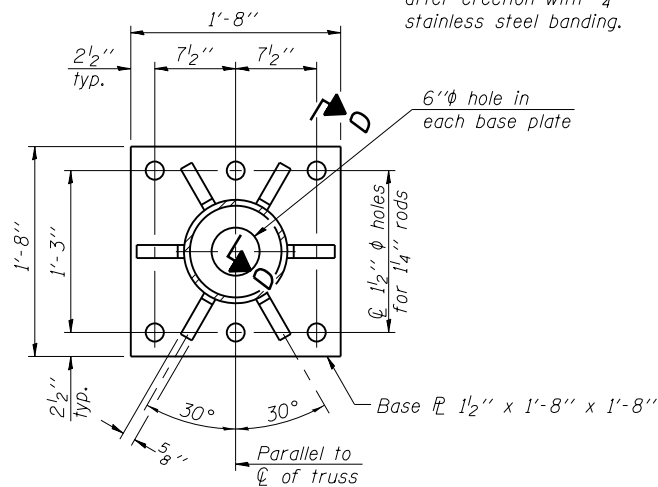
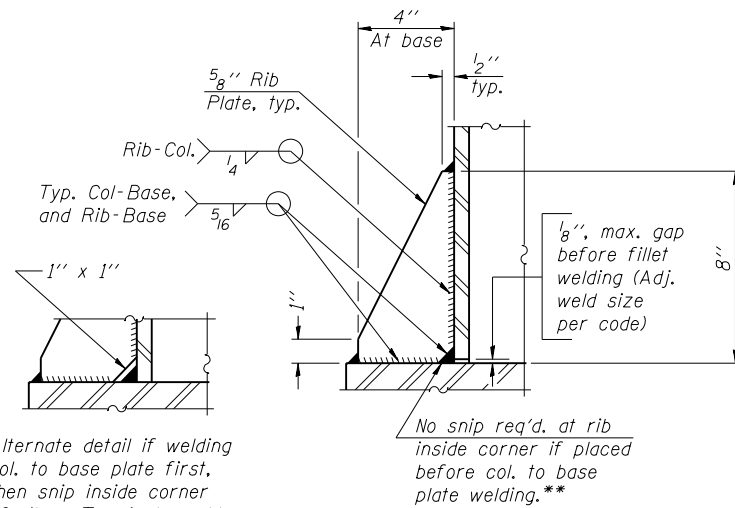


DETAIL B

Ribs shall be cut to fit slope of pipe.
 Stainless Steel Standard Grade Wire Cloth, 3" wide, 1/4" maximum opening with a minimum wire diameter of AWG. No. 16 with a minimum 2" lap. Secure to base plate after erection with 3/4" stainless steel banding.

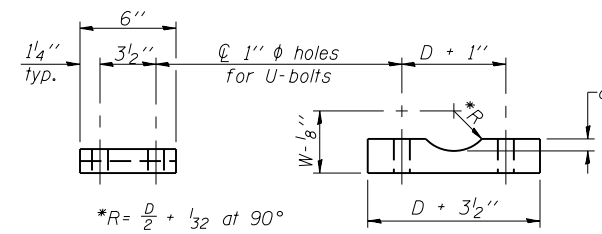


SECTION B-B



SECTION D-D

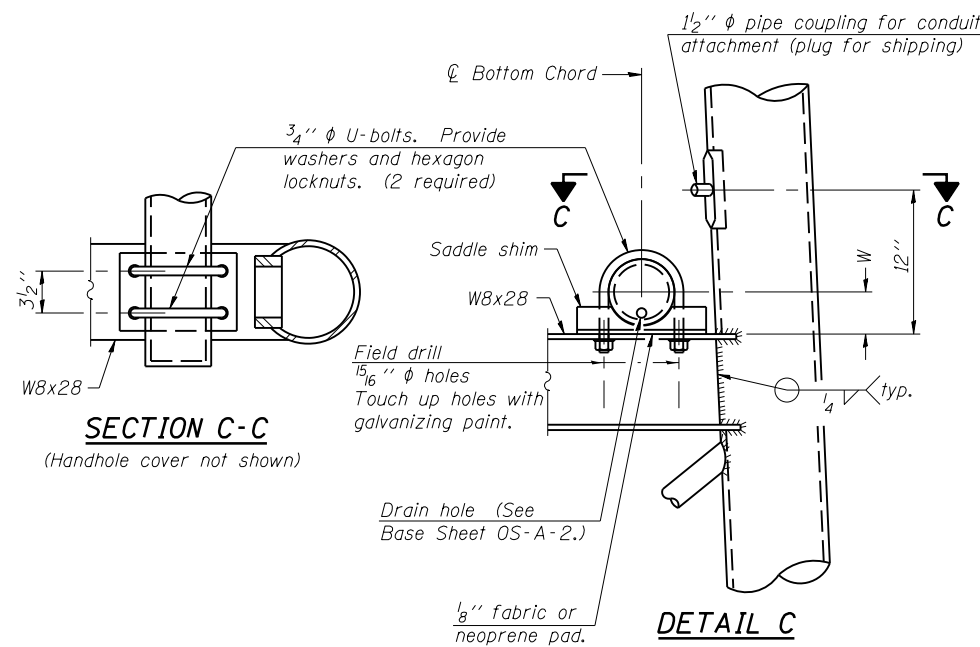
** Alternate detail if welding col. to base plate first, then snip inside corner of ribs. Terminate weld on rib 1/4" from snip.



SADDLE SHIM DETAIL

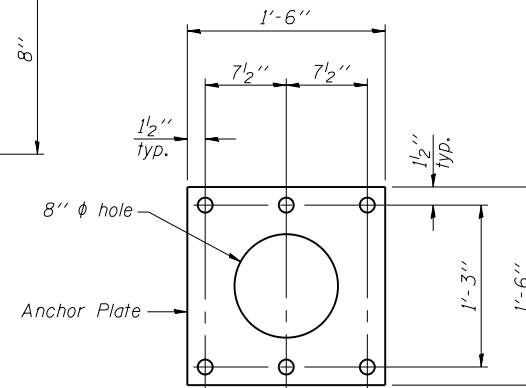
ASTM B26 Alloy 356-F
 or
 ASTM B209 Alloy 6061-T651
 (4 required per sign truss)

Truss Chord Nominal Dia.	a
5"	3/4"
5 1/2"	13/16"
6"	7/8"
6 1/2"	15/16"
7"	1"

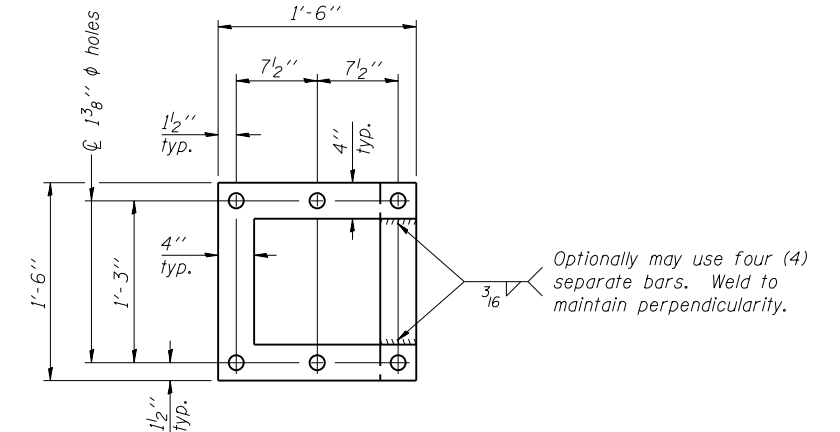


SECTION C-C

DETAIL C

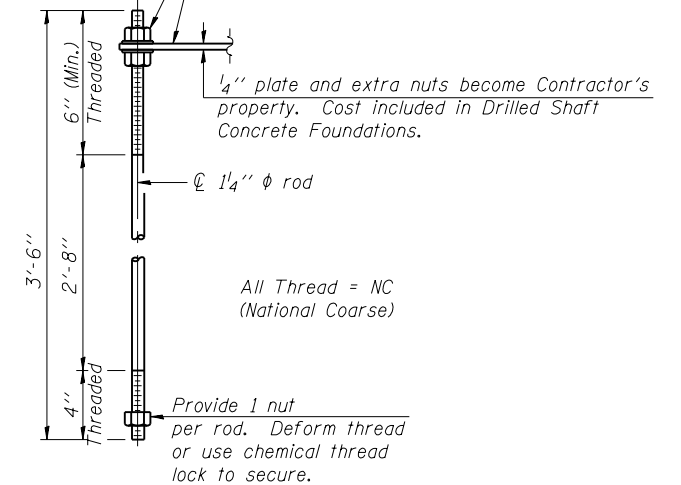


ANCHOR ROD DETAIL
 Spread Footing Foundation

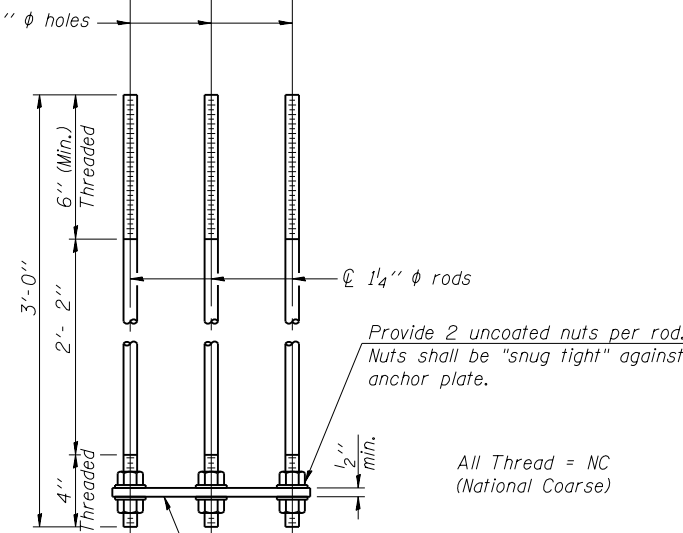


POSITIONING PLATE(S)

At each location, provide 1/4" thick positioning plate(s) and six (6) additional nuts to be used with leveling nuts to maintain anchor bolts position during concrete placement.



ANCHOR ROD DETAIL
 Drilled Shaft Foundation



All Thread = NC (National Coarse)

Anchor rods shall conform to ASTM F1554 Grade 105. Galvanize upper 12" minimum per AASHTO M232. No welding shall be permitted on rods.

10" Ø PIPE SUPPORT FRAME DETAILS

OS-A-6A

6-1-12

FILE NAME	USER NAME	DESIGNED	REVISED
ei:\pwork\work\pwork\collemm\d0339264\78362-sh1-sgnstr.dgn	USER	-	-
		DRAWN	REVISED
		CHECKED	REVISED
		DATE	REVISED

STATE OF ILLINOIS
 DEPARTMENT OF TRANSPORTATION

OVERHEAD SIGN STRUCTURES
 SUPPORT FRAME DETAILS - ALUMINUM TRUSS

SCALE: SHEET OF SHEETS STA. TO STA.

VARIOUS ROUTES

F.A.I. RTE.	SECTION	COUNTY	TOTAL SHEETS	SHEET NO.
•	D9 SAFETY SIGNAGE 2013-1	VARIOUS	34	28
			CONTRACT NO. 78362	

ILLINOIS FED. AID PROJECT