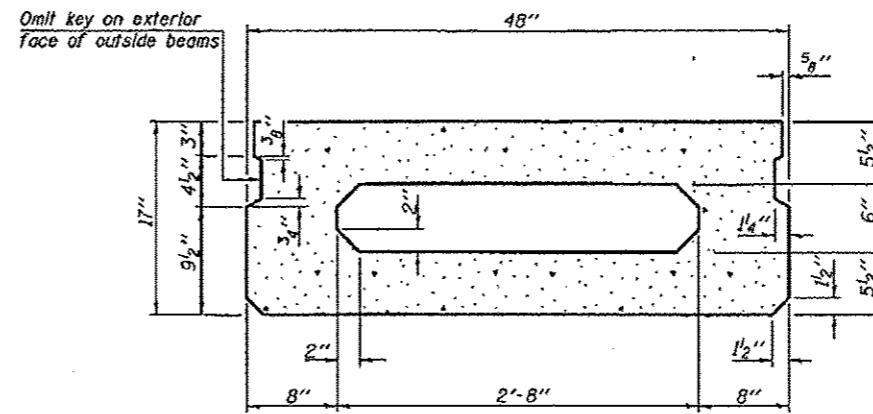
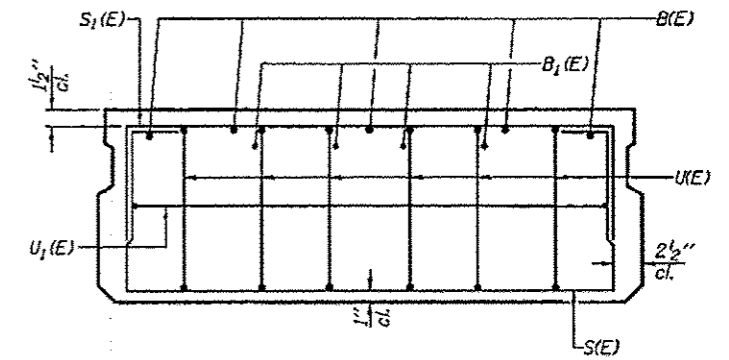


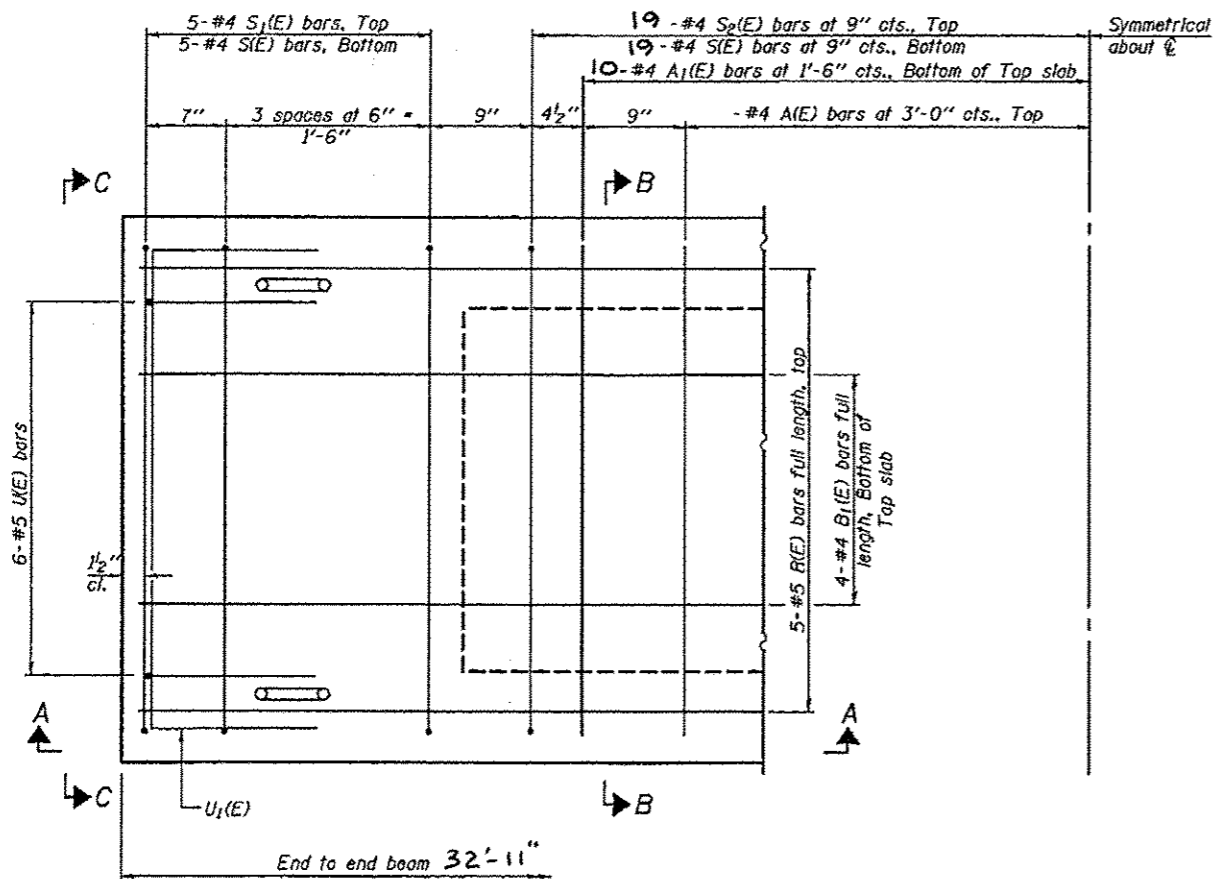
SECTION A-A



SECTION B-B
(Showing dimensions)

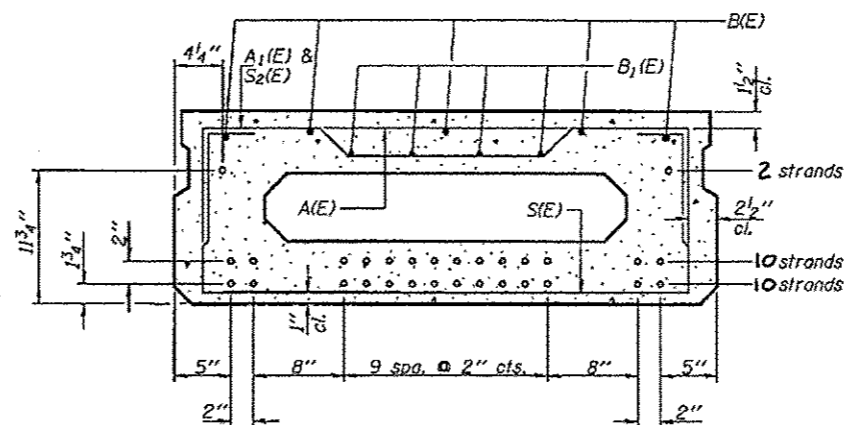


VIEW C-C



PLAN VIEW

Note: Spacing of S(E) and S2(E) bars may be adjusted up to 4" in the immediate area of the transverse tie diaphragms to miss the block outs for the transverse ties.



SECTION B-B

(Showing reinforcement and permissible strand locations)

Note: Place the number of strands specified in each row symmetrically about the centerline of beam in the permissible strand locations shown.

BAR LIST
ONE BEAM ONLY
(For information only)

Bar	No.	Size	Length	Shape
A(E)	12	#4	3'-7"	—
A1(E)	20	#4	3'-10"	—
B(E)	5	#5	32'-8"	—
B1(E)	4	#4	32'-8"	—
S(E)	48	#4	6'-9"	□
S1(E)	10	#4	5'-3"	□
S2(E)	38	#4	5'-6"	□
U(E)	12	#5	3'-8"	□
U1(E)	2	#4	6'-0"	□

MINIMUM BAR LAP

#4 bar = 2'-0"
#5 bar = 2'-6"

PD-1748-0

7-1-10

FILE NAME *	USER NAME *	DESIGNED -	REVISED -
		CHECKED -	REVISED -
PLOT SCALE *		DRAWN -	REVISED -
PLOT DATE *		CHECKED -	REVISED -

STATE OF ILLINOIS
DEPARTMENT OF TRANSPORTATION

17" x 48" PPC DECK BEAM
STRUCTURE NO. 052-3371

SHEET NO. OF SHEETS

F.A. RTE.	SECTION	COUNTY	TOTAL SHEETS	SHEET NO.
195	11-00214-00-BR	LEE	15	9
			CONTRACT NO. 85583	
ILLINOIS FED. AID PROJECT				