

SUMMARY OF QUANTITIES

CODE NO.	ITEM	UNIT	TOTAL QUANTITY
20200100	EARTH EXCAVATION	CU YD	163
20400800	FURNISHED EXCAVATION	CU YD	1146
28000250	TEMPORARY EROSION CONTROL SEEDING	POUND	60
28000400	PERIMETER EROSION BARRIER	FOOT	828
35101400	AGGREGATE BASE COURSE, TYPE B	TON	486
40600100	BITUMINOUS MATERIALS (PRIME COAT)	GALLON	278
40603080	HOT-MIX ASPHALT BINDER COURSE, IL-19.0, N50	TON	78
40603310	HOT-MIX ASPHALT SURFACE COURSE, MIX "C", N50	TON	52
44000100	PAVEMENT REMOVAL	SO YD	621
48101200	AGGREGATE SHOULDERS, TYPE B	TON	252
50102400	CONCRETE REMOVAL	CU YD	17.6
50104720	REMOVAL OF EXISTING CONCRETE DECK	EACH	1
50200100	STRUCTURE EXCAVATION	CU YD	72
50300225	CONCRETE STRUCTURES	CU YD	25.4
50300255	CONCRETE SUPERSTRUCTURE	CU YD	162.7
50300260	BRIDGE DECK GROOVING	SO YD	573
50300300	PROTECTIVE COAT	SO YD	688
50500405	FURNISHING AND ERECTING STRUCTURAL STEEL	POUND	3530
50500505	STUD SHEAR CONNECTORS	EACH	2130
50800205	REINFORCEMENT BARS, EPOXY COATED	POUND	48940
51100300	SLOPE WALL 6 INCH	SO YD	13
51500100	NAME PLATES	EACH	1
52000110	PREFORMED JOINT STRIP SEAL	FOOT	57
52100010	ELASTOMERIC BEARING ASSEMBLY, TYPE I	EACH	5
52100020	ELASTOMERIC BEARING ASSEMBLY, TYPE II	EACH	5
52100510	ANCHOR BOLTS 3/4"	EACH	20
58700300	CONCRETE SEALER	SO FT	50
59100100	GEOCOMPOSITE WALL DRAIN	SO YD	42
59300100	CONTROLLED LOW STRENGTH MATERIAL	CU YD	65.4
63000001	STEEL PLATE BEAM GUARDRAIL, TYPE A, 6 FOOT POSTS	FOOT	337.5
63100075	TRAFFIC BARRIER TERMINAL, TYPE 5A	EACH	4
63100167	TRAFFIC BARRIER TERMINAL, TYPE 1, (SPECIAL) TANGENT	EACH	3
63100169	TRAFFIC BARRIER TERMINAL, TYPE 1, (SPECIAL) FLARED	EACH	1
63200310	GUARDRAIL REMOVAL	FOOT	839
67100100	MOBILIZATION	L SUM	1
78201000	TERMINAL MARKER - DIRECT APPLIED	EACH	4
X2501000	SEEDING, CLASS 2 (SPECIAL)	ACRE	0.5
X5860110	GRANULAR BACKFILL FOR STRUCTURES	CU YD	54
X7010216	TRAFFIC CONTROL AND PROTECTION, SPECIAL	L SUM	1
Z0001899	JACK AND REMOVE EXISTING BEARINGS	EACH	10
Z0007112	CONTAINMENT AND DISPOSAL OF LEAD PAINT RESIDUES	L SUM	1
Z0010501	CLEANING AND PAINTING STEEL BRIDGE NO. 1	L SUM	1
Z0012754	STRUCTURAL REPAIR OF CONCRETE (DEPTH EQUAL TO OR LESS THAN 5 INCHES)	SO FT	14.5
Z0046304	PIPE UNDERDRAINS FOR STRUCTURES 4"	FOOT	89
XX006199	STEEL BRIDGE RAIL, TYPE SM (SPECIAL)	FOOT	390

*SEE SPECIAL PROVISIONS Δ SPECIALTY ITEMS

GENERAL NOTES

WHERE SECTION OF SUBSECTION MONUMENTS ARE ENCOUNTERED, THE ENGINEER SHALL BE NOTIFIED BEFORE SUCH MONUMENTS ARE REMOVED. THE CONTRACTOR SHALL PROTECT AND CAREFULLY PRESERVE ALL PROPERTY MARKS AND MONUMENTS UNTIL THE OWNER AND AUTHORIZED SURVEYOR OR AGENT HAS WITNESSED OR OTHERWISE REFERENCED THEIR LOCATION.

THE AREA TO BE SEEDDED SHALL CONSIST OF ALL DISTURBED EARTH SURFACES WITHIN THE RIGHT OF WAY, AS DIRECTED BY THE ENGINEER.

SEEDING, CLASS 2 (SPECIAL) = 0.5 ACRE

HOT-MIX ASPHALT MIXTURE REQUIREMENTS		
MIXTURE USE(S)	SURFACE	BINDER
PG:	PG 64-22	PG 64-22
DESIGN AIR VOIDS:	3.0 @ N50	3.0 @ N50
MIXTURE COMPOSITION: (GRADATION MIXTURE)	IL 9.5 OR 12.5	IL 19.0
FRICTION AGGREGATE	C	N/A
20 YEAR ESAL	0.1	0.1
MIX UNIT WEIGHT	112 LBS/SQYD/IN	112 LBS/SQYD/IN

APPLICATION RATES USED IN QUANTITY CALCULATIONS

STONE RIPRAP, CLASS A5	1.65 TON/CU YD
AGGREGATE DITCH (SPECIAL)	1.65 TON/CU YD
AGGREGATE BASE COURSE AND SURFACE COURSE	2.05 TON/CU YD
BITUMINOUS MATERIALS (PRIME COAT) - (AGG.)	0.35 GAL/SO YD
BITUMINOUS MATERIALS (PRIME COAT) - (HMA)	0.10 GAL/SO YD
HOT-MIX ASPHALT (BINDER & SURFACE COURSE)	112*/SO YD/IN

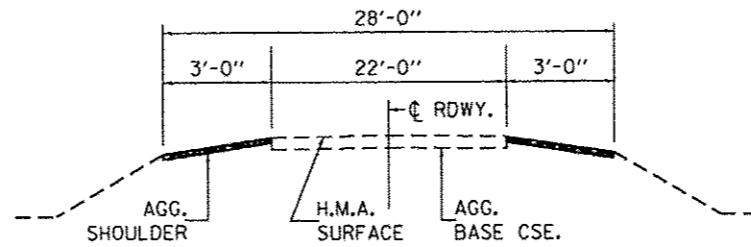
THE ABOVE NOTED APPLICATION RATES FOR BITUMINOUS MATERIALS (PRIME COAT) ARE FOR QUANTITY CALCULATIONS ONLY. THE APPLICATION RATE TO BE APPLIED WILL BE DETERMINED BY THE ENGINEER AT THE TIME OF PLACEMENT.

PAVEMENT DESIGN

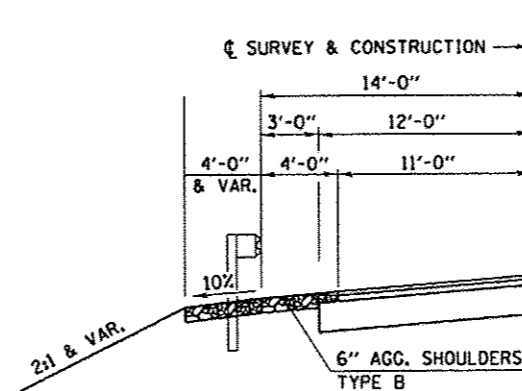
Structural Design Traffic (S.D.T.): Year 2022; P.V. = 1025, S.U. = 10, M.U. = 10
Class III Road

Minimum Soil Support: I.B.R. = 3.0 (Assumed) (> 3 k.s.i.)

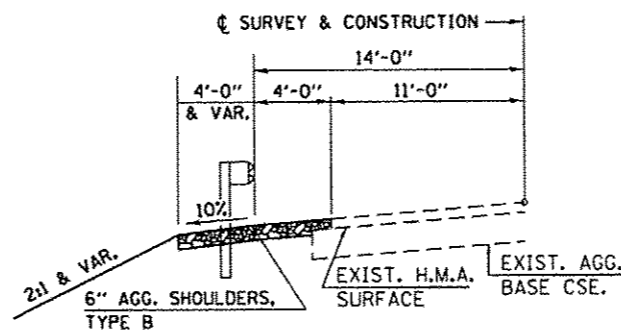
Percent of S.D.T. in Design Lane: P = 50%, S = 50%, M = 50%
T.F. = 0.051
TEMP. = 72%; EAC = 655; DESIGN STRAIN 364



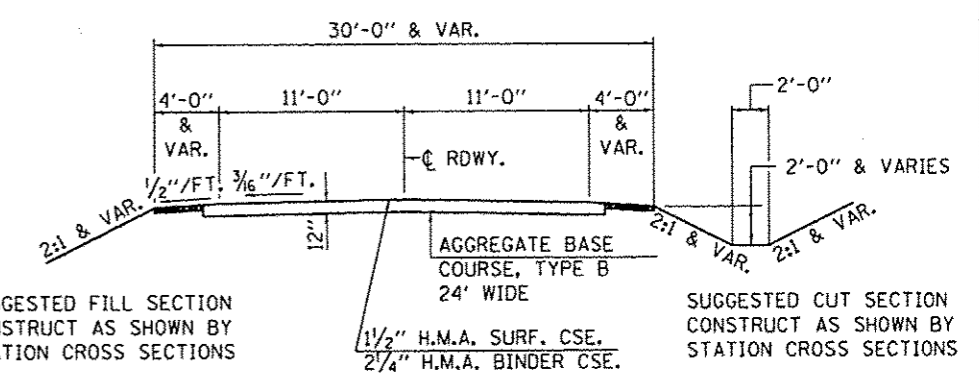
TYPICAL EXISTING CROSS SECTION



SHOULDER DETAIL (WHEN GUARDRAIL IS PRESENT)

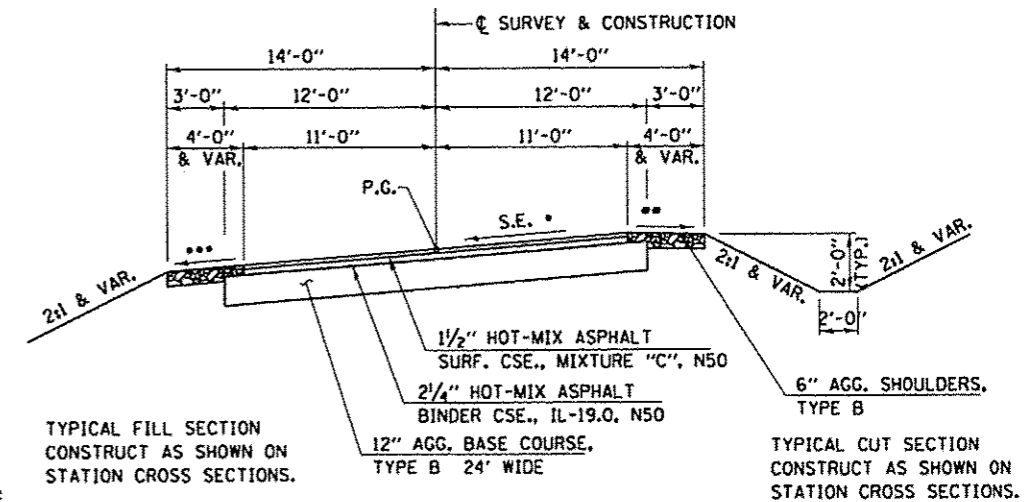


GUARDRAIL SHOULDER WIDENING DETAIL (WITH NO SURFACE OR PAVEMENT REPLACEMENT)



TYPICAL PROPOSED CROSS SECTION

STA. 108+63.00 TO STA. 108+76.60 AND
STA. 110+73.39 TO STA. 110+75.00

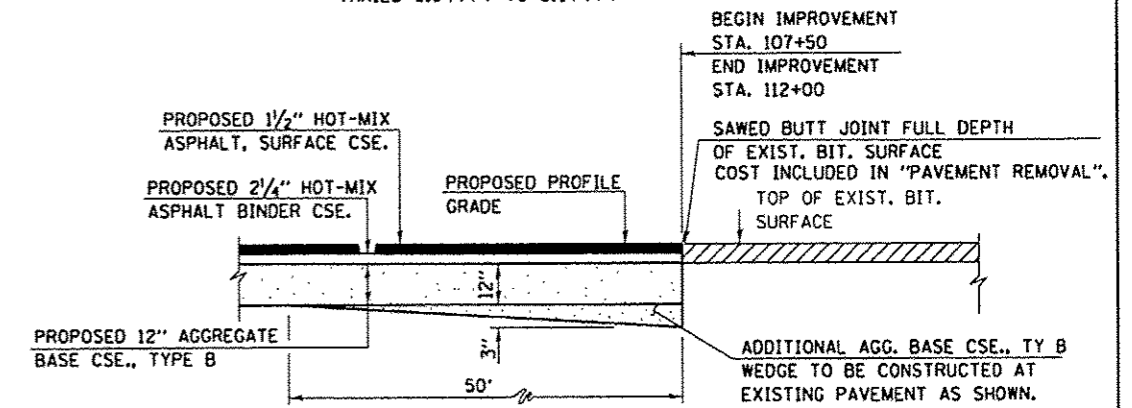


TYPICAL FILL SECTION
CONSTRUCT AS SHOWN ON
STATION CROSS SECTIONS.

TYPICAL CUT SECTION
CONSTRUCT AS SHOWN ON
STATION CROSS SECTIONS.

PROPOSED TYPICAL CROSS SECTION

CURVE 1 - LOOKING DOWNSTATION
CURVE 2 - LOOKING UPSTATION
STA. 107+50 TO STA. 108+63
STA. 110+75 TO STA. 112+00
* 0.07'/FT AND VARIES
** 0.04'/FT
*** VARIES 0.04'/FT TO 0.07'/FT



ELEVATION AT BEGINNING AND END OF IMPROVEMENT

JOINT DETAILS