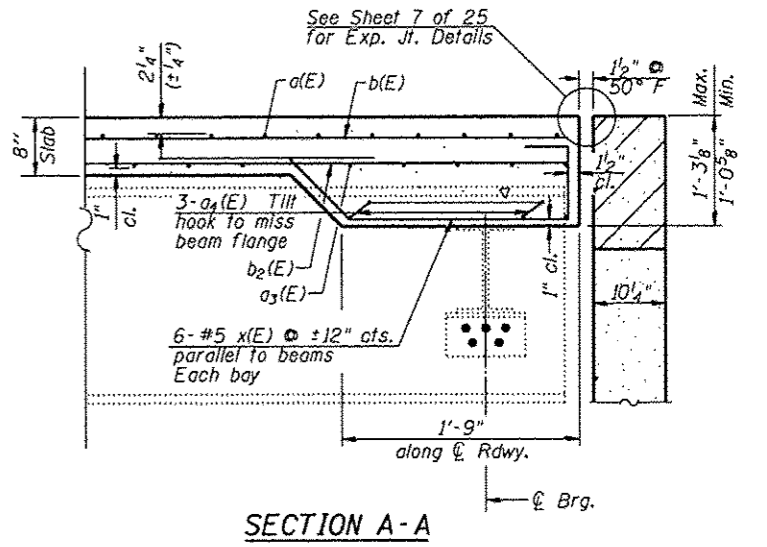
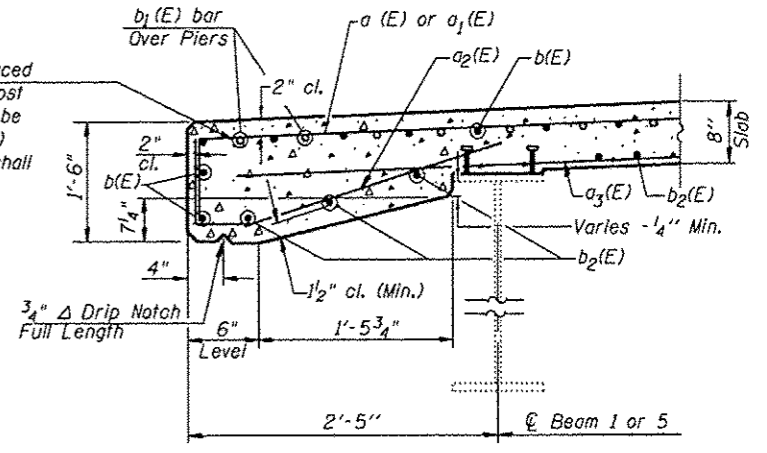
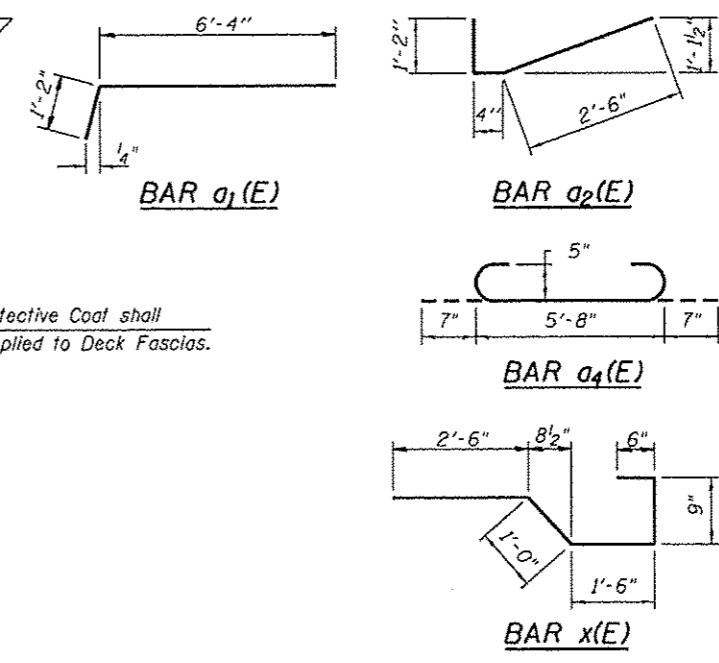


Reinforcement bars in the top of the deck shall be placed with a 2" minimum clearance in the area of the rail post anchor devices. The studs of the anchor device shall be placed below the top reinforcement bars  $a(E)$  and  $a_1(E)$  and the outermost longitudinal reinforcement bar  $b(E)$  shall be placed directly above the anchor device studs.



**MIN. BAR LAPS**

- #5 ----- 3'-3"
- #6 ----- 3'-10"



**SUPERSTRUCTURE BILL OF MATERIAL**

Bar	No.	Size	Length	Shape
$a(E)$	335	#5	28'-2"	—
$a_1(E)$	670	#6	7'-6"	—
$a_2(E)$	670	#5	4'-0"	—
$a_3(E)$	234	#5	27'-10"	—
$a_4(E)$	24	#5	6'-10"	—
$b(E)$	198	#5	35'-3"	—
$b_1(E)$	56	#6	41'-6"	—
$b_2(E)$	210	#5	30'-8"	—
$x(E)$	48	#5	6'-3"	—
Protective Coat			Sq. Yd.	688
Conc. Superstructure			Cu. Yd.	162.7
Reinforcement Bars, Epoxy Coated			Pound	44950
Bridge Deck Grooving			Sq. Yd.	573

Bars indicated thus 20x3-#5 etc. indicates 20 lines of bars with 3 lengths per line.

