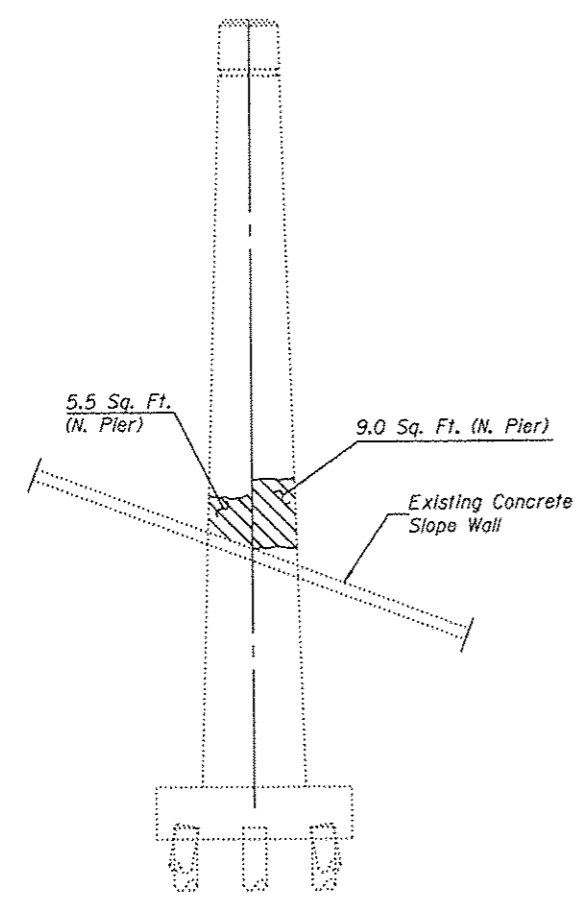


**PLAN**

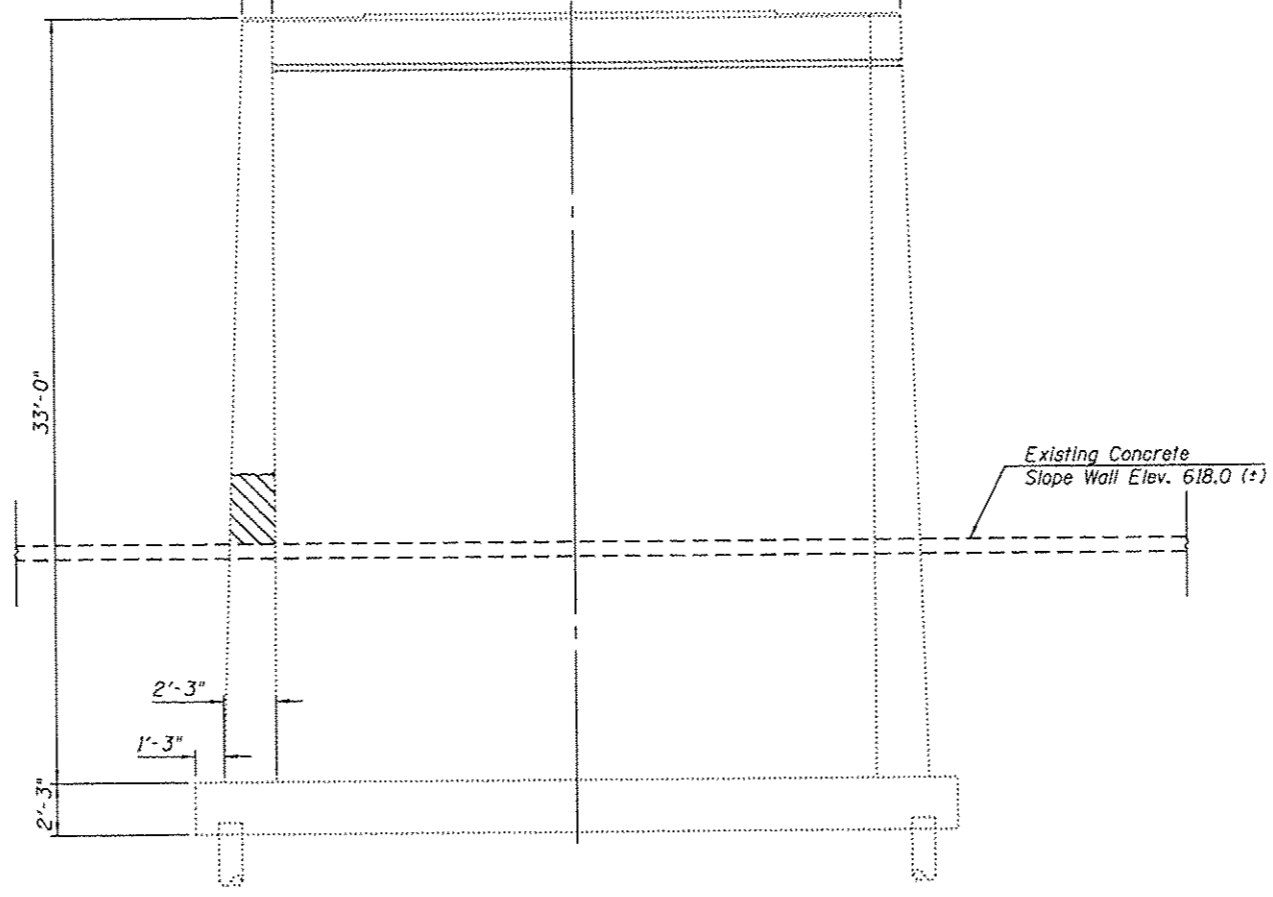
Note: Flood debris shall be removed from bridge opening as required to complete concrete repairs. Cost to be included in "Structural Repair of Concrete (Depth Equal to or less Than 5 in.)".

**LEGEND**

Structural Repair of Concrete  
Depth Equal To or Less Than 5 Inches.



**END ELEVATION**  
(Looking East)



**SOUTH ELEVATION - PIER #1**  
(Looking North)

**BILL OF MATERIAL**

Item	Unit	Qty.
Structural Repair of Concrete (Depth Equal To or Less Than 5 in.)	SQ. FT.	14.5

FILE NAME \*  
11-194\_PIEERS.dgn

USER NAME \* ashaw  
PLOT SCALE \* #SCALE#  
PLOT DATE \* 3/29/2013

DESIGNED - A.R.K.  
CHECKED - S.F.M.  
DRAWN - A.D.S.  
CHECKED - A.R.K.

REVISED -  
REVISED -  
REVISED -  
REVISED -

**FEHR GRAHAM**  
ENGINEERING & ENVIRONMENTAL  
SCIENCE DESIGN FIRM NO. 184-002303

FREEPORT, IL ROCKFORD, IL  
ROCHELLE, IL SPRINGFIELD, IL  
MONROE, WI

**PIERS REPAIR DETAILS**  
**STRUCTURE NO. 043-3008**  
SHEET NO. 16 OF 25 SHEETS

C.H.	SECTION	COUNTY	TOTAL SHEETS	SHEET NO.
4	11-00138-00-BR	JODAVIESS	34	21
CONTRACT NO. 85585			ILLINOIS FED. AID PROJECT	