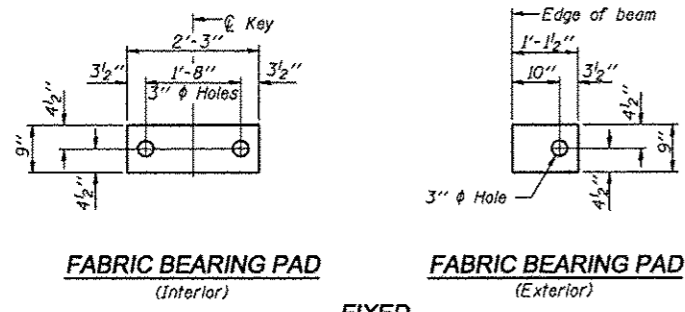


FAS ROUTE NO.	SEC	COUNTY	TOTAL SHEETS	SHEET NO.
-	*	STEPHENSON	14	6

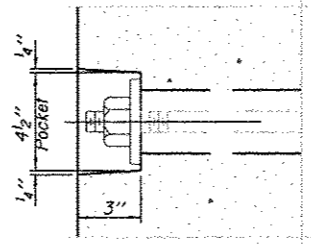
ILLINOIS PROJECT BROS-0177(045)
 * 12-03120-00-BR
 CONTRACT NO. 85587



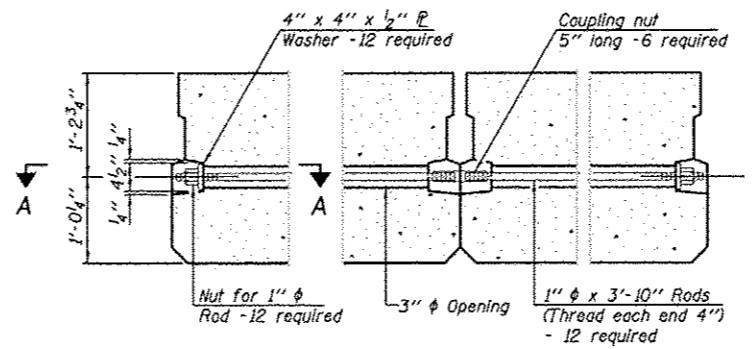
FABRIC BEARING PAD (Interior)
FABRIC BEARING PAD (Exterior)

FIXED

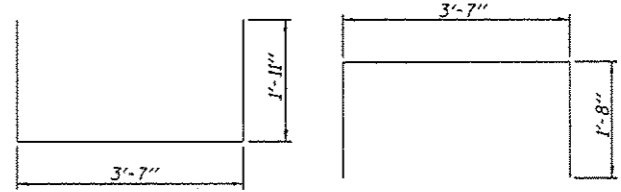
Notes:
 All bearing pads shall be 1" thick.
 Omit holes when using expansion bearings.
 Expansion bearing pad shall be bonded to the substructure.



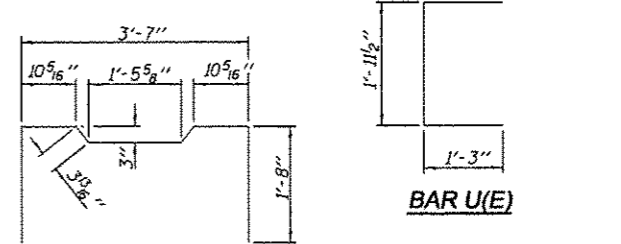
SECTION A-A



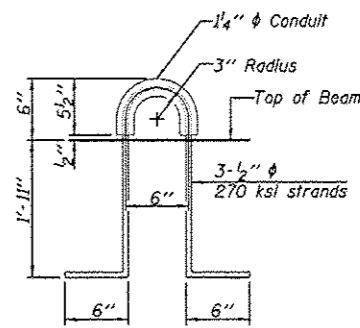
TYPICAL TRANSVERSE TIE ASSEMBLY



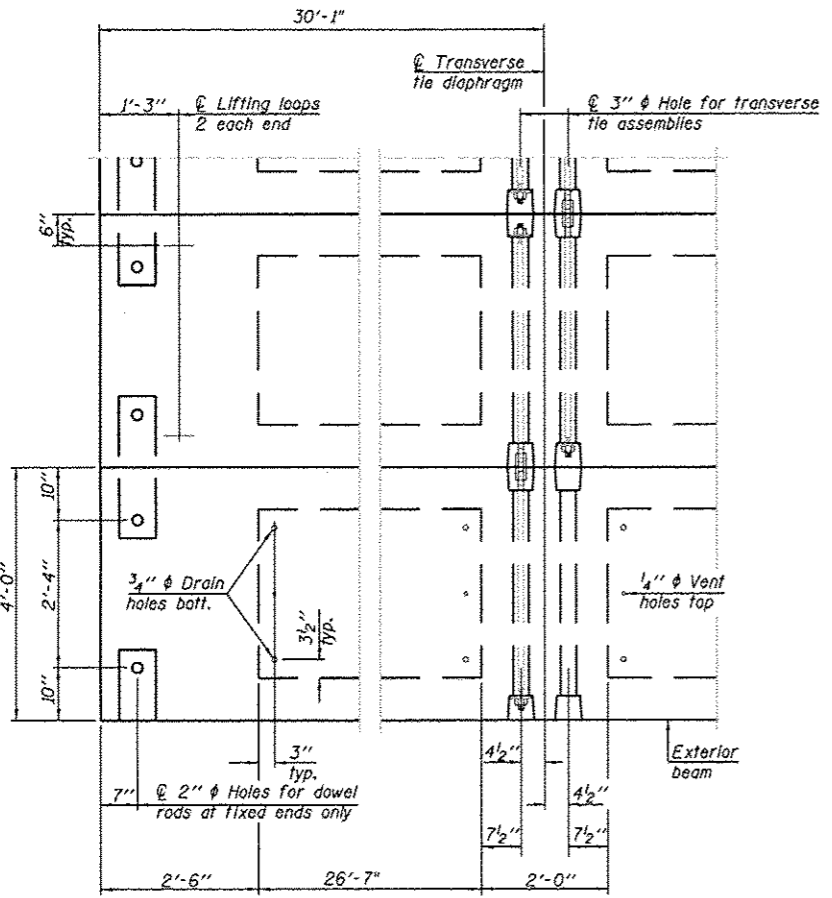
BAR S(E)
BAR S₂(E)



BAR U(E)
BAR U₂(E)



LIFTING LOOP DETAIL



PLAN VIEW

Note: Connect beams in pairs with the transverse tie configuration shown.

NOTES

Prestressing steel shall be uncoated high strength, low relaxation 7-wire strand, Grade 270. The nominal diameter shall be 1/2" and the nominal cross-sectional area shall be 0.153 sq. in. The 1" rods in the transverse tie assembly shall be tightened to a snug fit and the threads set. Pockets on exterior faces of bridge shall be filled with grout after transverse tie assembly is in place.
 Reinforcement bars shall conform to ASTM A 706, Grade 60. (See Special Provisions).
 Two 1/8" fabric adjusting shims of the dimensions of the exterior bearing pad shall be provided for each bearing pad location.
 A minimum 2 1/2" diameter lifting pin shall be used to engage the lifting loops during handling.
 Corrosion Inhibitor, per Article 1020.05(b)(12) and 1021.06 of the Standard Specifications, shall be used in the concrete for precast prestressed concrete deck beams.
 Compressive strength of prestressed concrete, f'c, shall be 6000 psi.
 Compressive strength of prestressed concrete at release, f'cl, shall be 5000 psi.

BILL OF MATERIAL

Precast Prestressed Conc. Deck Bms. (27" depth)	Sq. Ft.	1685
---	---------	------

REVISIONS	
DATE	REVISION

wendler
 GROUNDING SOLUTIONS
 engineers, surveyors, appraisers
 www.wendlergs.com ph. 815.288.2261
 Illinois Professional Engineer Firm No. 158-000048

DECK BEAM DETAILS
 OF
 NORTH REES ROAD BRIDGE
 FOR
 STEPHENSON COUNTY

SHEET TITLE
DETAILS

JOB NUMBER
 2120077

DATE
 3/22/2013

SHEET NO.
6 of 14