

FAS ROUTE NO.	SEC	COUNTY	TOTAL SHEETS	SHEET NO.
-	*	STEPHENSON	16	5

ILLINOIS PROJECT BROS-0177(044)

\* 12-08122-00-BR  
CONTRACT NO. 85590

SCALE: 1" = 1'

REVISION	DATE

DESIGNED BY:	DRAWN BY:	CHECKED BY:	DATE:

**wendler**  
GROUND-BREAKING SOLUTIONS  
engineers - surveyors - scientists  
www.wendlergs.com     ph. 815.286.2261  
Illinois Professional Design Firm No. 154-000543

DECK BEAM DETAILS  
OF  
WEST DAMEIER ROAD BRIDGE  
FOR  
STEPHENSON COUNTY

SHEET TITLE

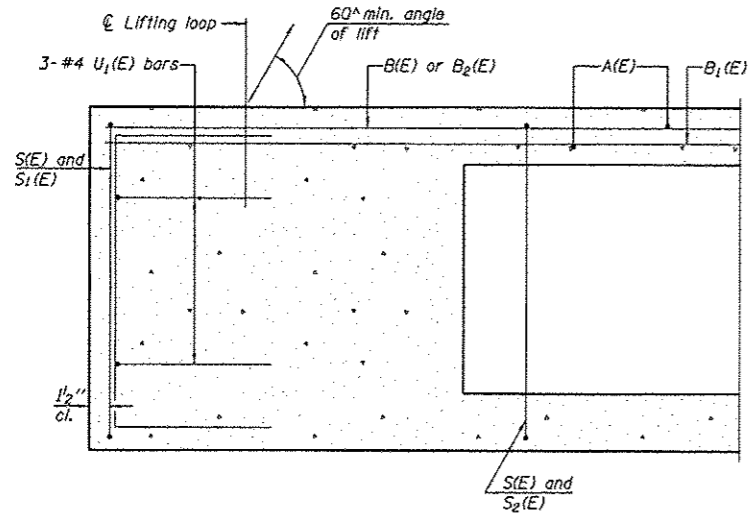
DETAILS

JOB NUMBER  
2120191

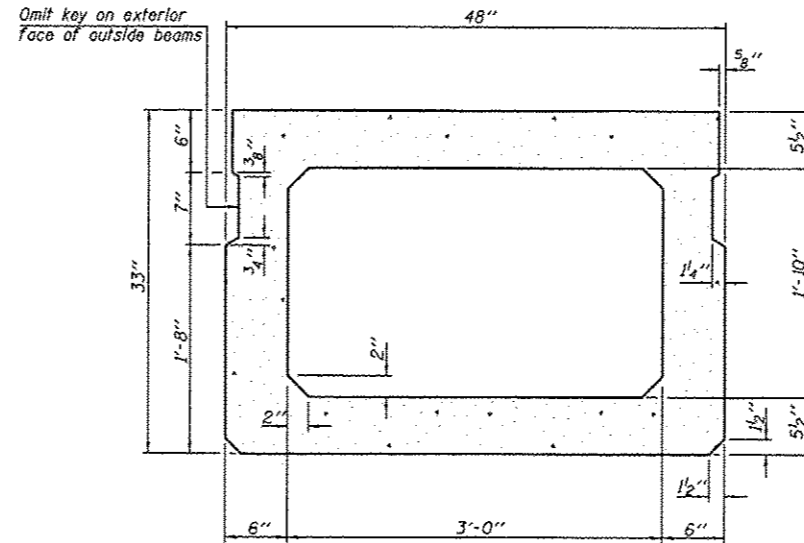
DATE  
4/01/2013

SHEET NO.

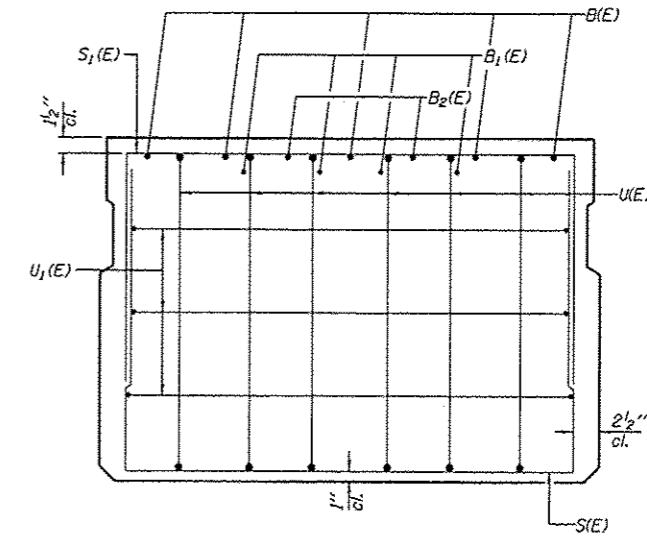
5 of 16



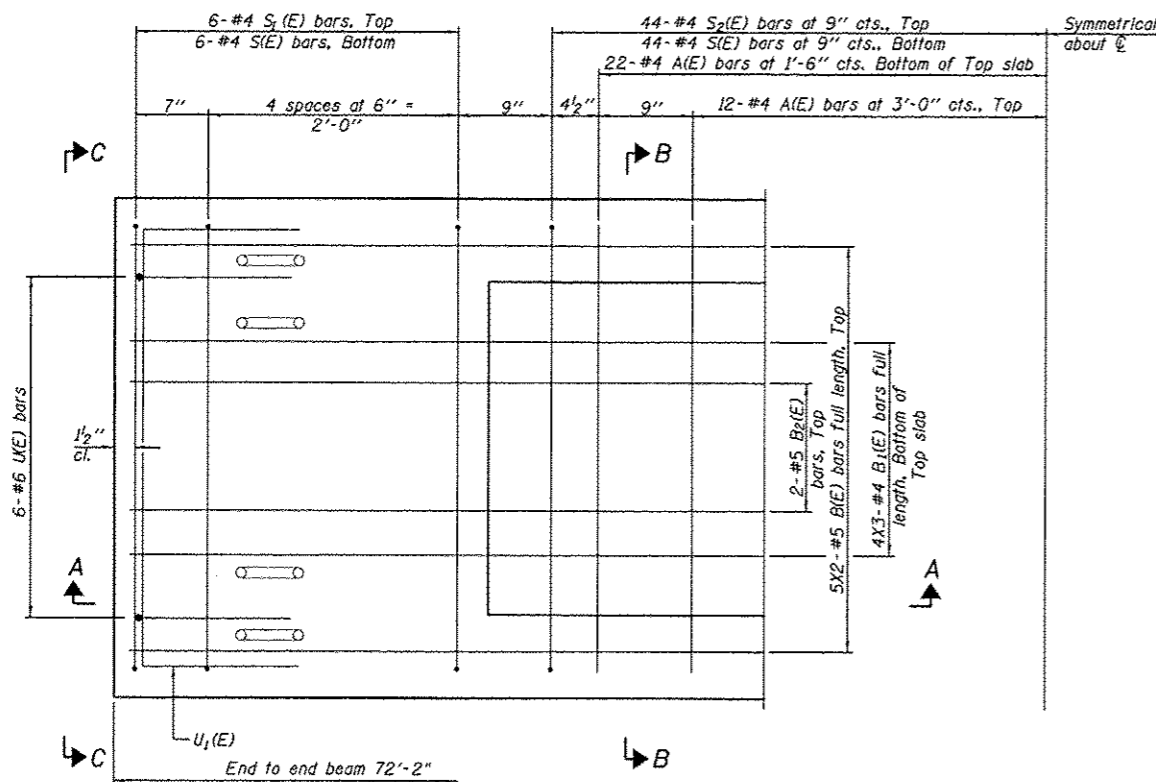
SECTION A-A



SECTION B-B  
(Showing dimensions)



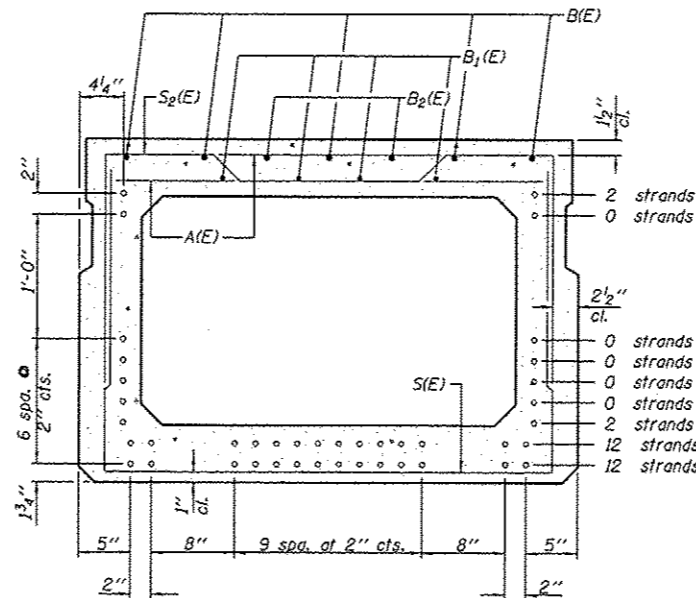
VIEW C-C



PLAN VIEW

Note: Spacing of S(E) and S2(E) bars may be adjusted up to 4" in the immediate area of the transverse tie diaphragms to miss the block outs for the transverse ties.

**MINIMUM BAR LAP**  
#4 bar = 2'-0"  
#5 bar = 2'-6"



SECTION B-B

(Showing reinforcement and permissible strand locations)  
Note: Place the number of strands specified in each row symmetrically about the centerline of beam in the permissible strand locations shown.

**BAR LIST**  
**ONE BEAM ONLY**  
(For information only)

Bar	No.	Size	Length	Shape
A(E)	32	#4	3'-7"	—
B(E)	10	#5	37'-2"	—
B1(E)	12	#4	25'-3"	—
B2(E)	4	#5	10'-0"	—
S(E)	100	#4	8'-5"	□
S1(E)	12	#4	7'-3"	□
S2(E)	88	#4	7'-6"	□
U(E)	12	#6	5'-0"	□
U1(E)	6	#4	6'-0"	□

Note: See sheet 6 of 16 for additional details and Bill of Material.

PD-3348-0

7-1-10

S.N. 089-3287  
33" X 48" PPC DECK BEAMS  
CONCRETE OVERLAY DETAILS  
SECTION 12-08122-00-BR  
STEPHENSON COUNTY