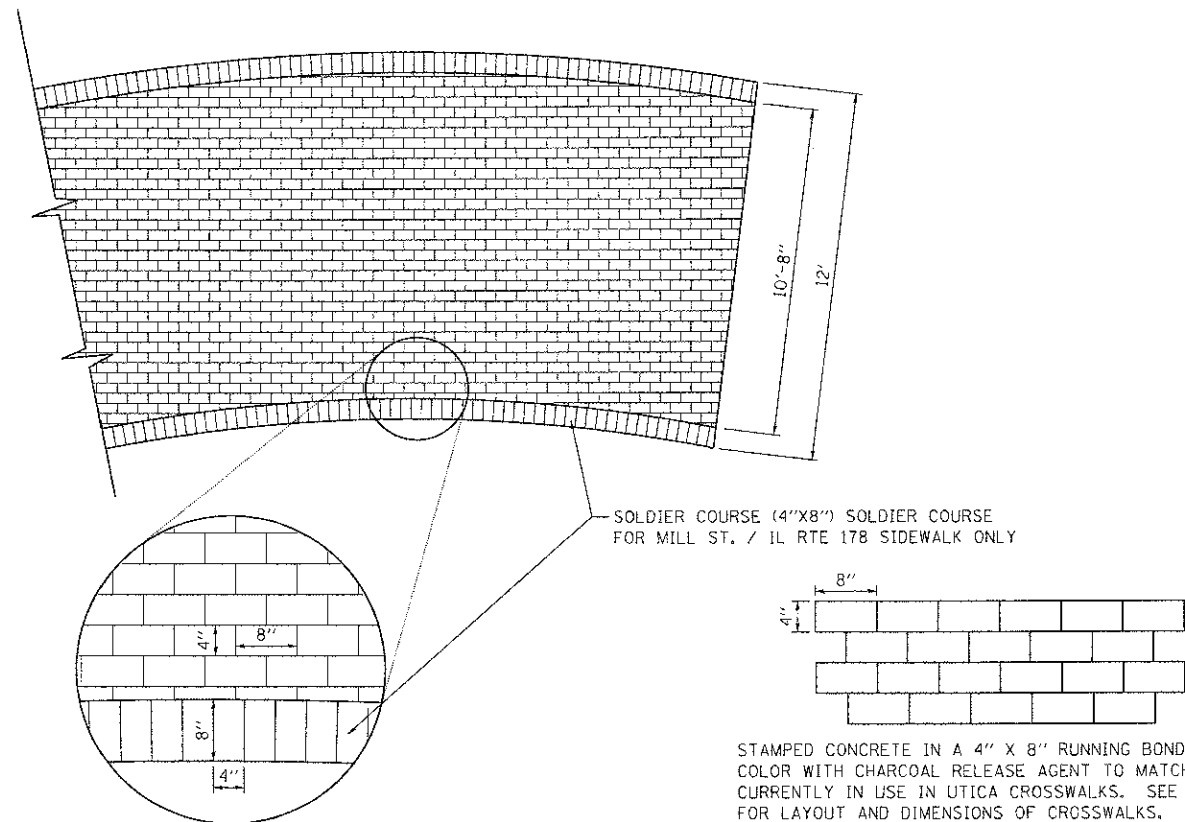
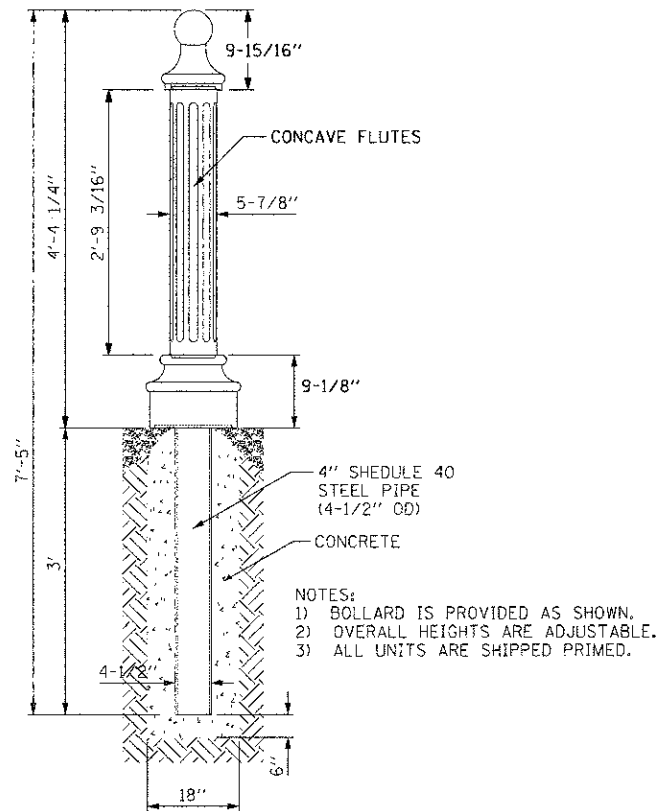


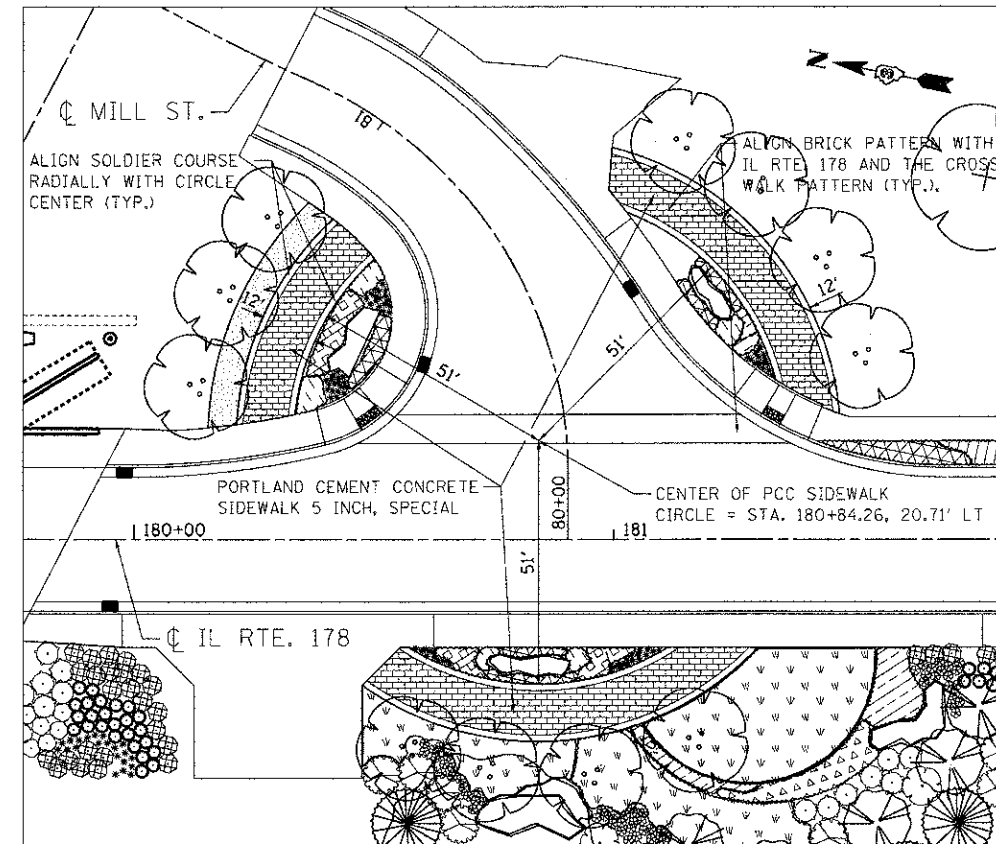
**TYPICAL SIDEWALK PLANTER BOX WITH ORNAMENTAL FENCE, WROUGHT IRON**  
N.T.S.



**PORTLAND CEMENT CONCRETE SIDEWALK 5 INCH, SPECIAL**



**BOLLARDS DETAIL**



\D:\387355-BORDER\LDN\_0387355-MOTIF\LDN\_0387355-DET\LDN\_0387355-SHT-RDNDDET.LDN  
 \D:\387355-BORDER\LDN\_0387355-MOTIF\LDN\_0387355-DET\LDN\_0387355-SHT-RDNDDET.LDN  
 \D:\387355-BORDER\LDN\_0387355-MOTIF\LDN\_0387355-DET\LDN\_0387355-SHT-RDNDDET.LDN  
 \D:\387355-BORDER\LDN\_0387355-MOTIF\LDN\_0387355-DET\LDN\_0387355-SHT-RDNDDET.LDN

FILE NAME =	USER NAME = #USER#	DESIGNED - JM	REVISED -	<b>STATE OF ILLINOIS DEPARTMENT OF TRANSPORTATION</b>	<b>TYPICAL PLANTER BOX SECTION, BOLLARDS, PAVEMENT COLOR AND TEXTURE DETAILS</b>	F.A.S. RTE.	SECTION	COUNTY	TOTAL SHEET NO.	
#FILE#	PLOT SCALE = #SCALE#	DRAWN - MDN	REVISED -			1279	06-00017-01-L5	LA SALLE	29	19
exp U.S. Services Inc. Chicago, IL BUILDING-HEALTH & ENVIRONMENT-ENERGY INDUSTRIAL-INFRASTRUCTURE-SUSTAINABILITY	PLOT DATE = #DATE#	CHECKED - JB	REVISED -			CONTRACT NO. 87355				
		DATE - 04/05/13	REVISED -			SCALE: N.T.S.	SHEET NO. OF SHEETS	STA. TO STA.	FED. ROAD DIST. NO.	ILLINOIS FED. AID PROJECT