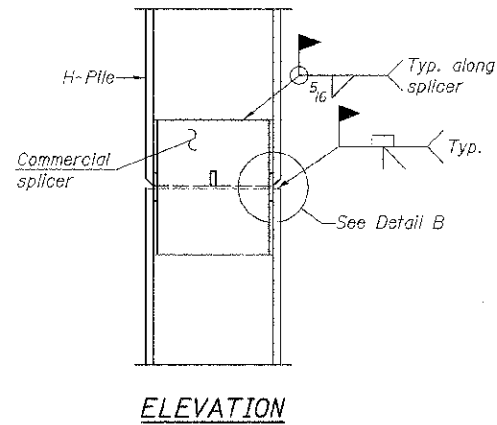
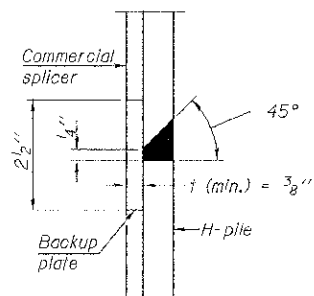


STEEL PILE TABLE

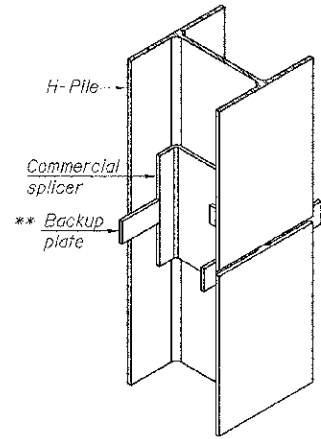
Designation	Depth d	Flange width bf	Web and Flange thickness t	Encasement diameter A
HP 14x117	14 1/4"	14 7/8"	13/16"	30"
x102	14"	14 3/4"	1/16"	30"
x89	13 7/8"	14 3/4"	5/8"	30"
x73	13 5/8"	14 5/8"	1/2"	30"
HP 12x84	12 1/4"	12 1/4"	11/16"	24"
x74	12 1/2"	12 1/4"	5/8"	24"
x63	12"	12 1/8"	1/2"	24"
x53	11 3/4"	12"	7/16"	24"
HP 10x57	10"	10 1/4"	9/16"	24"
x42	9 3/4"	10 1/8"	7/16"	24"
HP 8x36	8"	8 1/8"	7/16"	18"



ELEVATION

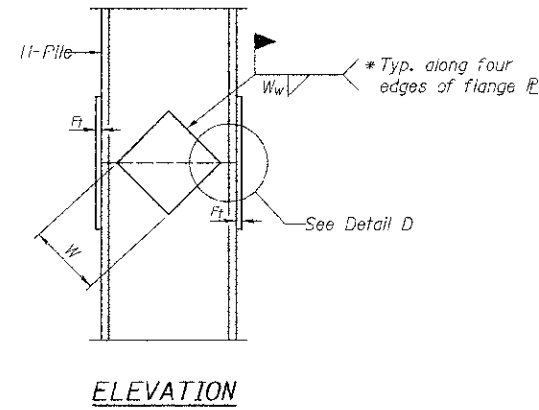


DETAIL "B"

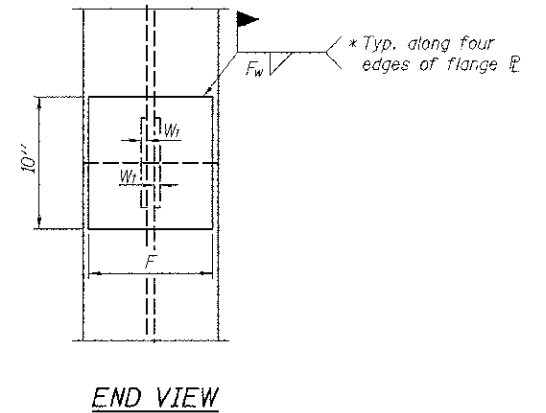


ISOMETRIC VIEW

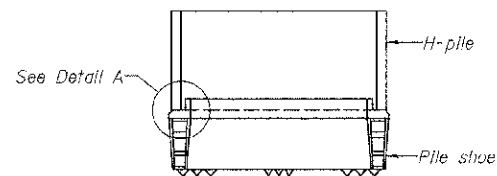
WELDED COMMERCIAL SPLICE



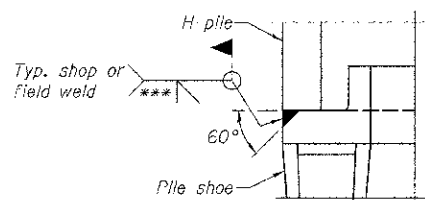
ELEVATION



END VIEW

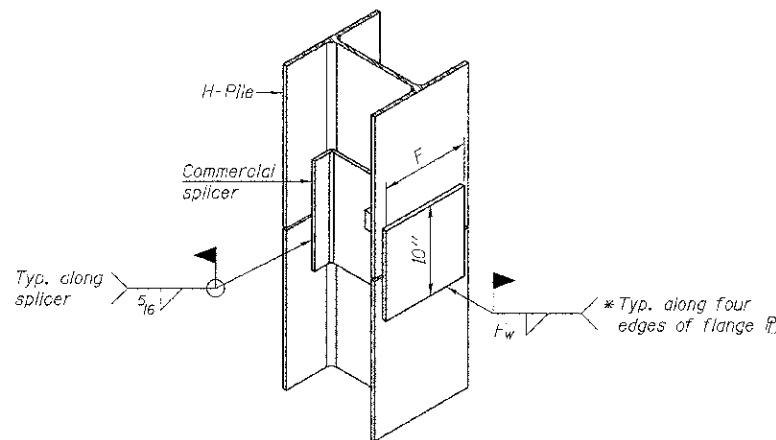


ELEVATION



DETAIL A

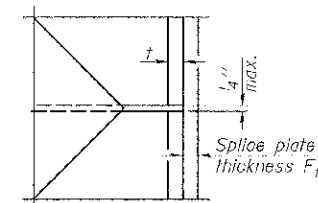
H-PILE SHOE ATTACHMENT



ISOMETRIC VIEW

WELDED COMMERCIAL SPLICE ALTERNATE

- * Interrupt welds 1/4" from end of web and/or each flange.
- ** Remove portions of backup plates that extend outside the flanges.
- *** Weld size per pile shoe manufacturer (5/16" min.).



DETAIL D

WELDED PLATE FIELD SPLICE

Designation	F	F ₁	F _w	W	W ₁	W _w
HP 14x117	12 1/2"	1"	1/8"	7 3/4"	5 1/8"	1/2"
x102	12 1/2"	7/8"	3/4"	7 3/4"	5 1/8"	1/2"
x89	12 1/2"	3/4"	1/16"	7 3/4"	5 1/8"	1/2"
x73	12 1/2"	5/8"	9/16"	7 3/4"	5 1/8"	1/2"
HP 12x84	10"	7/8"	1/16"	6 1/2"	5 1/8"	1/2"
x74	10"	1/8"	1/16"	6 1/2"	5 1/8"	1/2"
x63	10"	5/8"	1/2"	6 1/2"	5 1/8"	3/8"
x53	10"	5/8"	1/2"	6 1/2"	5 1/8"	3/8"
HP 10x57	8"	3/4"	9/16"	5 1/2"	5 1/8"	3/8"
x42	8"	5/8"	9/16"	5 1/2"	5 1/8"	3/8"
HP 8x36	7"	5/8"	7/16"	4 1/4"	5 1/8"	3/8"

Note:
The steel H-piles shall be according to AASHTO M270 Grade 50.

FILE NAME =	USER NAME = smou.nst	DESIGNED BAN	REVISED -	DEKALB COUNTY C.H. 26 (FIVE POINTS RD.) OVER SOUTH BRANCH OF KISHWAUKEE RIVER	HP PILE DETAILS			RTE. NO.	SECTION	COUNTY	TOTAL SHEETS	SHEET NO.	
V:\2555\400 SHEETS\STRUCTURES - Rec/d	82-27-2013-2555b027.dgn	DRAWN TAC	REVISED -		SCALE: N/A	SHEET NO. 27 OF 28 SHEETS	STA. N/A	TO STA. N/A	CH 26	05-00044-01-BR	DE KALB	49	42
	PLOT SCALE = NONE	CHECKED CTM	REVISED -		CONTRACT NO. 87477								
	PLOT DATE = 3/26/2013	DATE -	REVISED -		[ILLINOIS] FED. AID PROJECT BR5-1122(08)								